

# TECHNICAL DATA SHEET



Product Code: 151790

Product Description: iflo Tay Tall Basin Mixer

## Product Specification

**Material:**  
Solid brass with a duragleam chrome finish

**Fittings:**  
Single stud fixing kit

**Systems:**  
Suitable for high and low pressure systems  
Suitable for Gravity fed systems  
Suitable for Unvented systems  
Suitable for Combi boilers

## Additional Information

Always inspect before installation

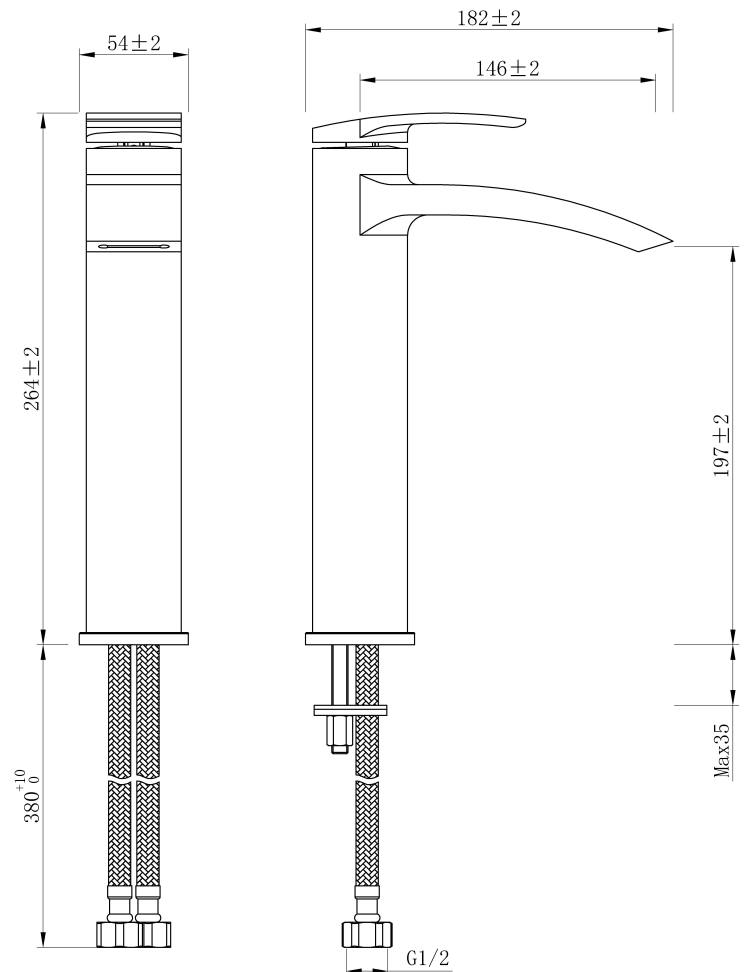
Do not clean with abrasive cleaning products

WRAS approved

Cold Start

Lever style handles for ease of use

Pressure(bar)	Flow Rate(L/Min)
0.3	2.8
0.4	5
0.5	5.9
0.6	6.5
0.7	7.1
0.8	7.6
0.9	8.1
1	8.4
2	12.3
3	15.1



The information contained within this specification sheet is believed to be correct and complete at the time of creation. All photographs / drawings are as a guide only and do not necessarily represent the products available. The Highbourne Group reserves the right to change product details and price without prior notice.