

210*297mm-2024.11.28

iflo

Slide Rail Kits Installation

IMPORTANT

Please read these instructions carefully and keep in a safe place for future reference. If you are unsure of any part of the instructions in this document then we recommend that you contact a reputable qualified trades person.

INTRODUCTION

The Model supplied may vary from the image shown below. Please note that the general installation process for all standard Slide Rail Kit are the same and the following guide will take you through the process.

INSTALLATION

Prior to installation please ensure all supply pipes have been thoroughly flushed through to remove any debris.

1) Turn off the water supply. Before installation identify all components and inspect the product for any damage.

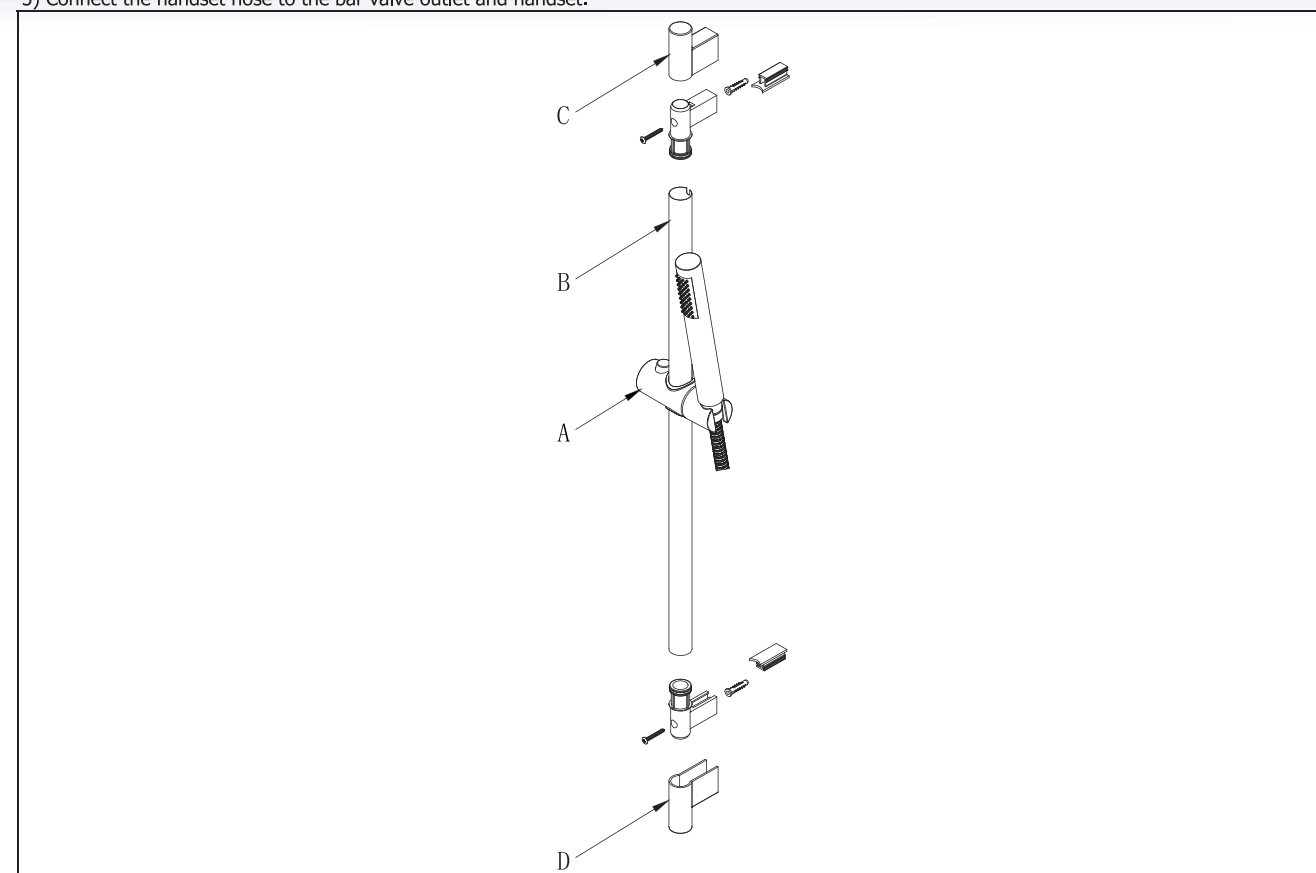
2) Put the handset holder [A] through the sliding bar [B] by pressing down the button on the holder

3) Fix the top and bottom wall brackets at the appropriate height on the wall

Make sure the bar connects both the top and bottom brackets in the right position

4) Fasten the screws at [C] & [D] on the brackets to fix the kits.

5) Connect the handset hose to the bar valve outlet and handset.



Aftercare

Care MUST be taken when cleaning our products to avoid damaging the fitting or finish. To maintain the appearance of the fitting, please ensure it is cleaned regularly using only a clean soft damp cloth. Whilst all of our products are durable the finishes are vulnerable to some strong substances, we only recommend the use of warm soapy water, DO NOT use abrasive sponges, strong household cleaners, scouring agents, organic solvents or acidic cleaners as they may cause surface deterioration, peeling or change of colour.