



# HC3300 and H3300

## Near-boiling hot water taps

99°C the perfect temperature...



### Models:

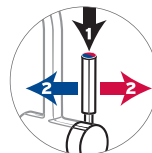
- HC3300 dispenses both near-boiling hot and cold filtered water
- H3300 supplies near-boiling hot filtered water

### Features:

The HC3300 and the H3300 are stylish additions to any kitchen. The H3300 dispenses near-boiling hot water at the touch of a lever and the HC3300 has the added benefit of providing cold filtered water.

#### Modern contemporary design

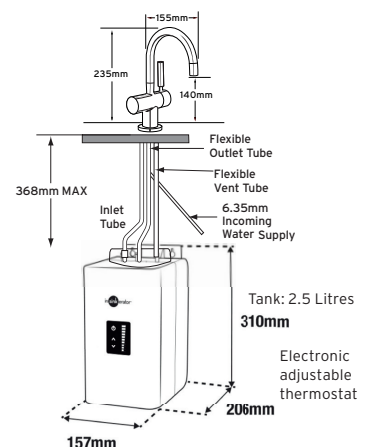
- Produces approximately 100 cups of near-boiling hot water per hour
- Dispenses up to 99°C hot and cold filtered water
- Adjustable temperature dial
- Compact and convenient
- Unique single handle
- Hot push-lever locking mechanism
- Unit not for commercial/industrial use



### Specification:

- Capacity: 2.5 Litre Stainless Steel tank dispenses approximately 100 cups of up to 99°C water per hour
- Required hole diameter: 35mm-38mm
- Required supply pressure: 172-862 kPa (1.7-8.6 bar) (25-125 psi)
- Available in 220-240 Volt A.C. and 115-120 Volt A.C. versions

### Technical diagram:



All InSinkErator® hot water systems are WRAS approved for your reassurance.

# Near-boiling hot water taps

Up to 99°C the perfect temperature...

Once you have one, you'll wonder how you ever did without it. No kettles, no leads, no clutter, no fuss... up to 99°C near-boiling hot and cold filtered water at the push of a lever. With their contemporary designs, InSinkErator® models don't just bring style to the kitchen; they bring a level of convenience that fits today's busy lifestyles.

They also help you do your bit for the environment. Because you only heat as much water as you need, the taps are energy efficient and economical... saving you money every time they're used.



## Food and drink:

- Make tea, coffee and other hot drinks
- Prepare pasta and rice
- Blanche vegetables
- Create gravies, sauces and soups
- Thaw frozen food and warm ice cream scoops
- Re-hydrate dried food
- Clean fruit and vegetables

## Practical uses:

- Washing up
- Remove lids from jars
- Clean wax from candle holders
- Remove labels from containers for recycling
- Add extra shine to silver
- Fill hot water bottles

## Baby care:

- Warm bottles and food
- Clean without harsh chemicals



All InSinkErator® hot water systems are WRAS approved for your reassurance.



The Emerson logo is a trademark and a service mark of Emerson Electric Co.

InSinkErator may make improvements and/or changes in the specifications at any time, in its sole discretion, without notice or obligation and further reserves the right to change or discontinue models.

©2016 InSinkErator, InSinkErator is a business unit of Emerson Electric Co. All Rights Reserved.