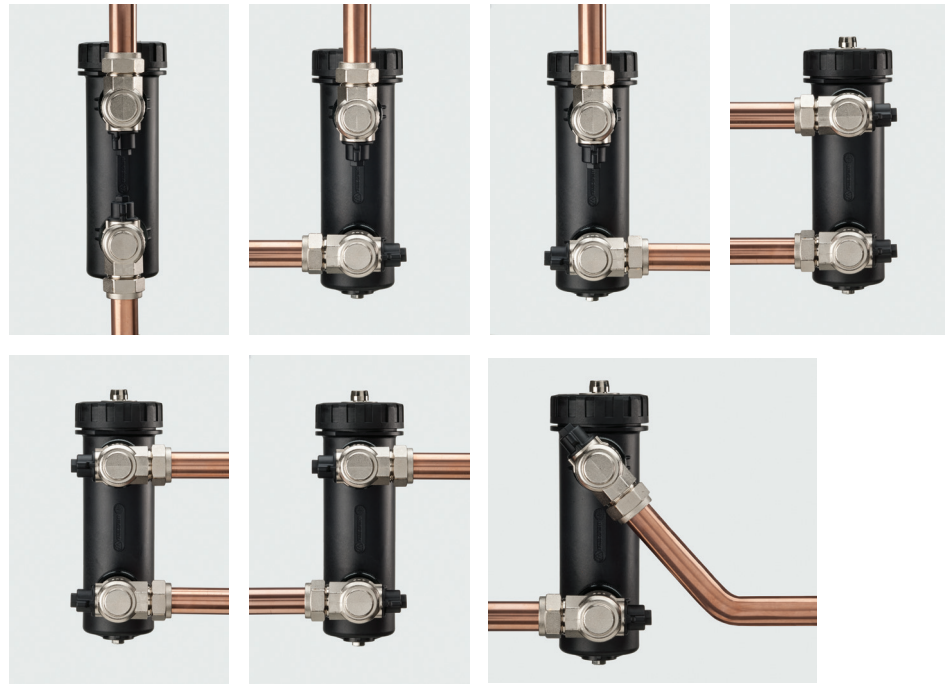


Multiple installation options

Keston magnetic system filter in-line design and 360° rotational valves provide multiple installation options for both vertical and horizontal pipework. This ensures greater flexibility within the tightest working environments.



Keston magnetic system filter

Keston magnetic system filter delivers exceptional domestic central heating system protection against the damaging effects of black iron oxide sludge and non-magnetic debris. The unique, full-flow, 28mm valves and increased filter capacity establishes it as a leader in its class giving professional installers a dedicated filter for larger central heating systems.

IMPORTANT Always follow the **Standard Electrical Best Practice guidelines** when installing a Keston magnetic system filter. A copy of these guidelines can be found at www.hse.gov.uk/electricity

The inlet and outlet on Keston magnetic system filter are reversible and there is no flow restriction. Following installation, don't forget to complete the warranty card. Alternatively, complete the registration online at keston.co.uk

This product is backed by a seven year limited guarantee.

Keston
EVERYTHING IS POSSIBLE

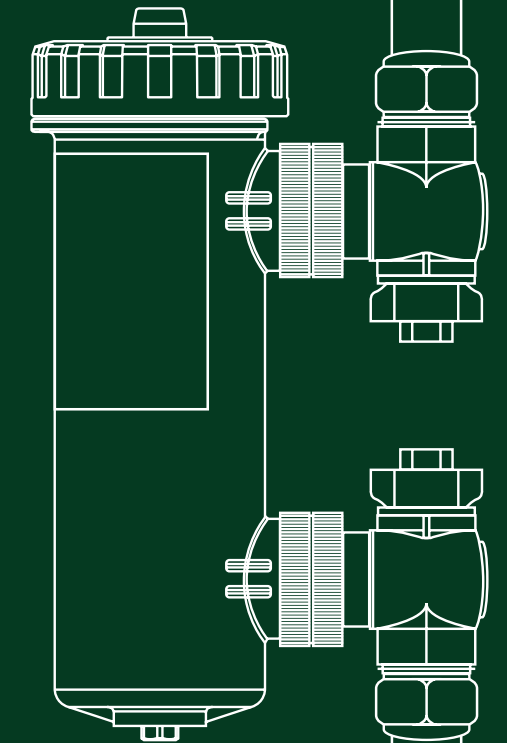
01482 443005
info@keston.co.uk
keston.co.uk

LF2-01-01443-KE V1

Keston

EVERYTHING IS POSSIBLE

Magnetic system filter
Installation and servicing
instructions



Developed by Adey
keston.co.uk

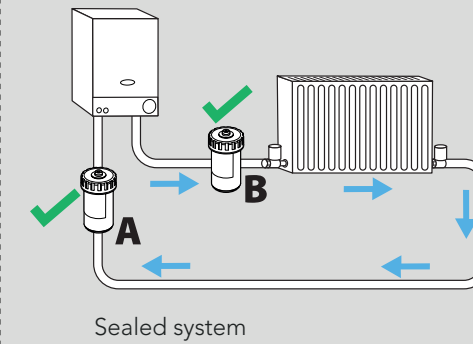
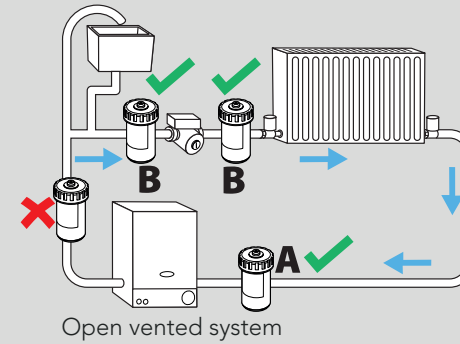
Installation

Keston magnetic system filter has been developed by the industry leading and multi-award winning company that pioneered magnetic filtration.

The Keston magnetic system filter can be installed anywhere on the main circuit. However to achieve the best level of protection for the boiler, it is recommended that filter is installed after the last radiator and before the boiler.

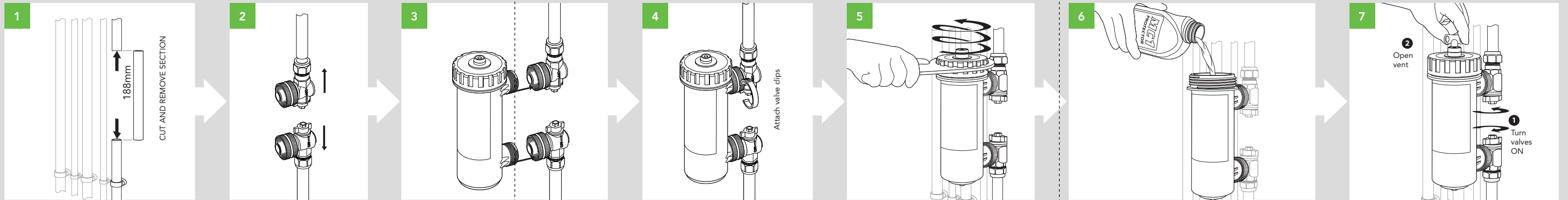
The following instructions are designed to support engineers in the safe and effective installation and servicing of Keston magnetic system filter and should be followed at all times.

Any queries should be directed to your supervisor or Keston direct on 01482 443005.



In both diagrams, position **A** is best practice, while **B** is suitable.

N.B. We firmly recommend the Keston magnetic system filter is installed and serviced by a qualified heating engineer.



Servicing

Your system is protected by Keston magnetic system filter.

Annual service required alongside boiler.

