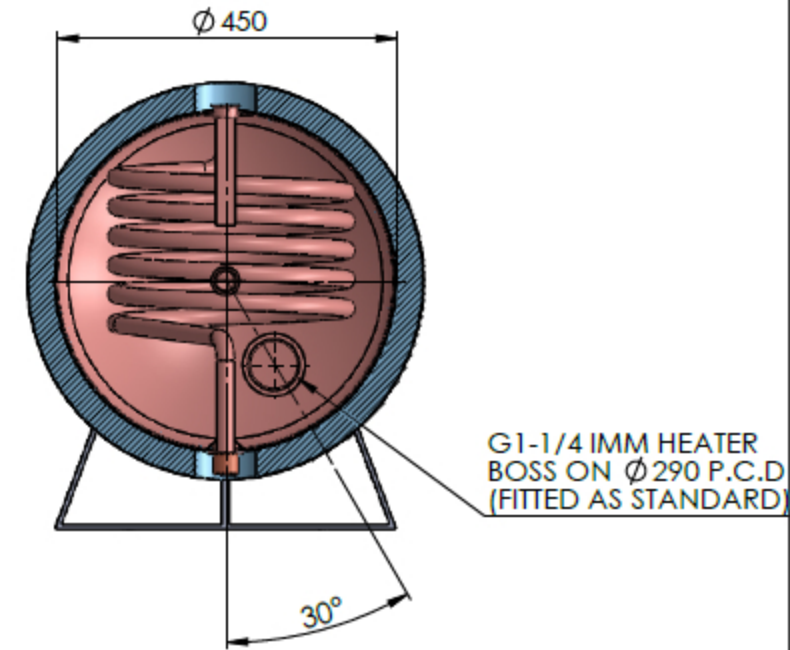
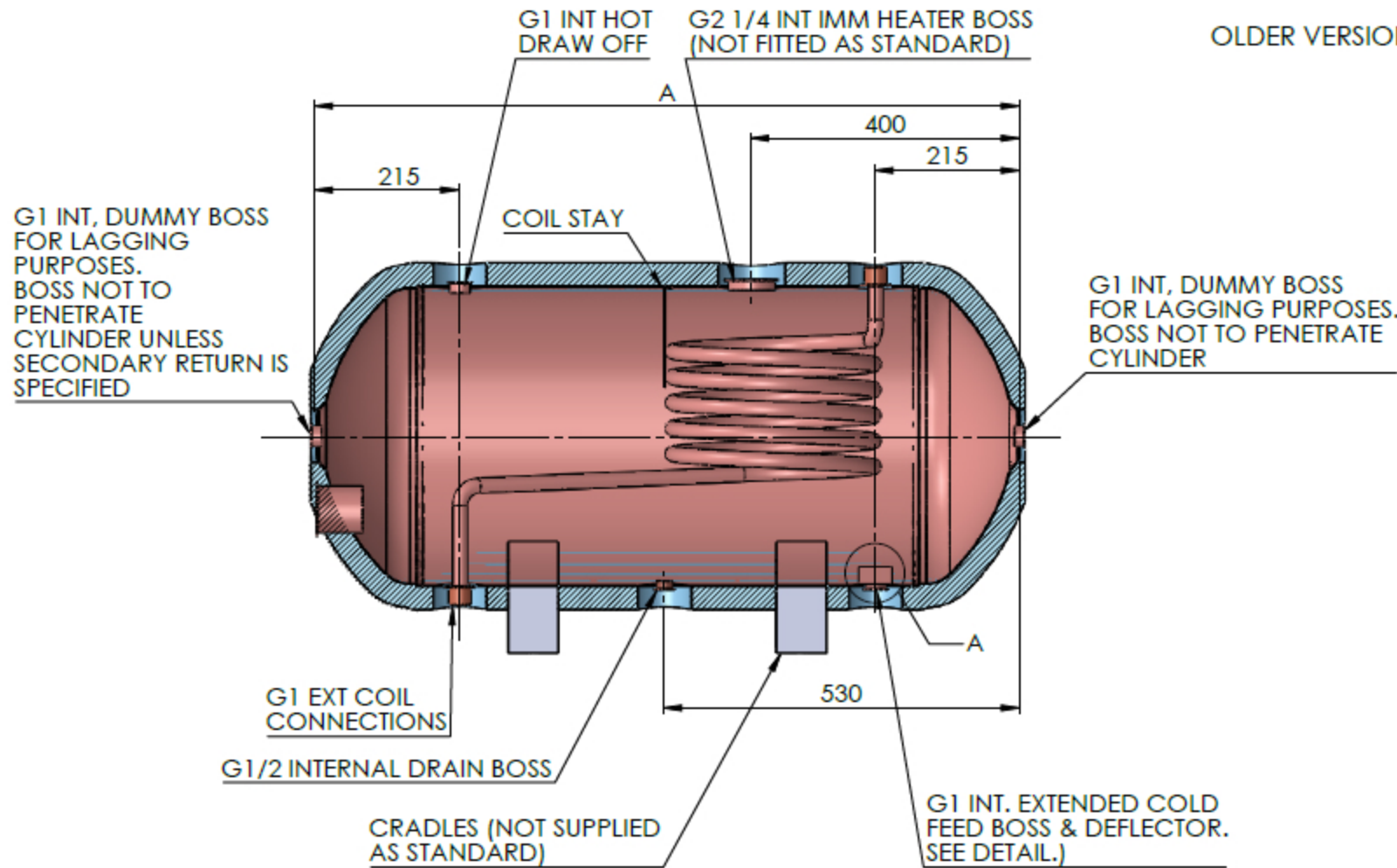


DETAIL A
SCALE 1 : 2

INDIRECT G3 HORIZONTAL						
	CODE	A	COIL	No. OF TURNS	VOL	FOAM
1	KN900450G3HZ	0900	22	4.5	117	35
2	KN1050450G3HZ	1050	22	5.5	140	35
3	KN1200450G3HZ	1200	22	6.5	162	35
4	KN1500450G3HZ	1500	22	6.5	210	35

OLDER VERSION OF THIS DRAWING: A33654



NOTE - TO ACHIEVE ACCEPTABLE REHEAT TIME IT IS RECOMMENDED HORIZONTAL CYLINDERS BE USED WITH PUMPED PRIMARIES ONLY. HORIZONTAL CYLINDERS CANNOT BE KITEMARKED

△ = REVISION MARK

DRAWING NUMBER A50140		DESCRIPTION INDIRECT HORIZONTAL 450 DIA. GENERAL ASSEMBLY		PLEASE CHECK THE CONTENTS OF THE DRAWING AND PROVIDE A SIGNATURE FOR APPROVAL	
STOCK CODE SEE TABLE		SCALE NTS		CUSTOMER	DATE
MATERIAL COPPER		TOLERANCE ± 3mm UNLESS STATED		PRODUCTION	DATE
12/12/2018	FIRST ISSUE	AV	1	QUALITY	DATE
DATE	AMENDMENTS DESCRIPTION	EON	REV	TECHNICAL D.T.	DATE 12/12/2018
				DRAWN BY A.VASIUTIN	DATE 12/12/2018

DO NOT SCALE, REMOVE ALL SHARP EDGES, ALL DIMENSIONS IN MILLIMETRES, IF IN DOUBT - ASK

