

# AQUABASE DUAL LEVER TAP CHROME

TAQBASECM/



The AquaBase is a popular tap design, which features round handles and a low spout position - suitable for any type of kitchen installation.

- Dual lever handle design
- Featuring an anti-splash spout with honeycomb aerator design which mixes air with water to emit a water flow with no splash
- Suitable for all pressure water systems
- Single flow spout
- WRAS approved



Overall Height (mm)	222
Spout Reach (mm)	224
Spout Height (mm)	186
Spout Rotation Range	360°
Handle Type	Dual Lever
Colour	Chrome
Bar Pressure Suitability	
Min. Bar Pressure	0.5
Max. Bar Pressure	5
Mixed Flow Rate at 3 Bar Pressure (l/min)	
Flow Type	
Recommended Hot Water Temperature	46°
Maximum Hot Water Temperature	70°
Handle Control	Half Turn
Centre Distance (mm)	
Cartridge Type	Ceramic Disc Cartridge
Aerator Type	Honeycomb Aerator
Inlet Pipes	1/2" Stainless Flexible Hoses
Anti-Splash Spout	Yes
Pull Out Spray	No
WRAS Approved	Yes
Product Code	TAQBASECM/
Barcode	5015834056005

Date of download: March 05, 2026

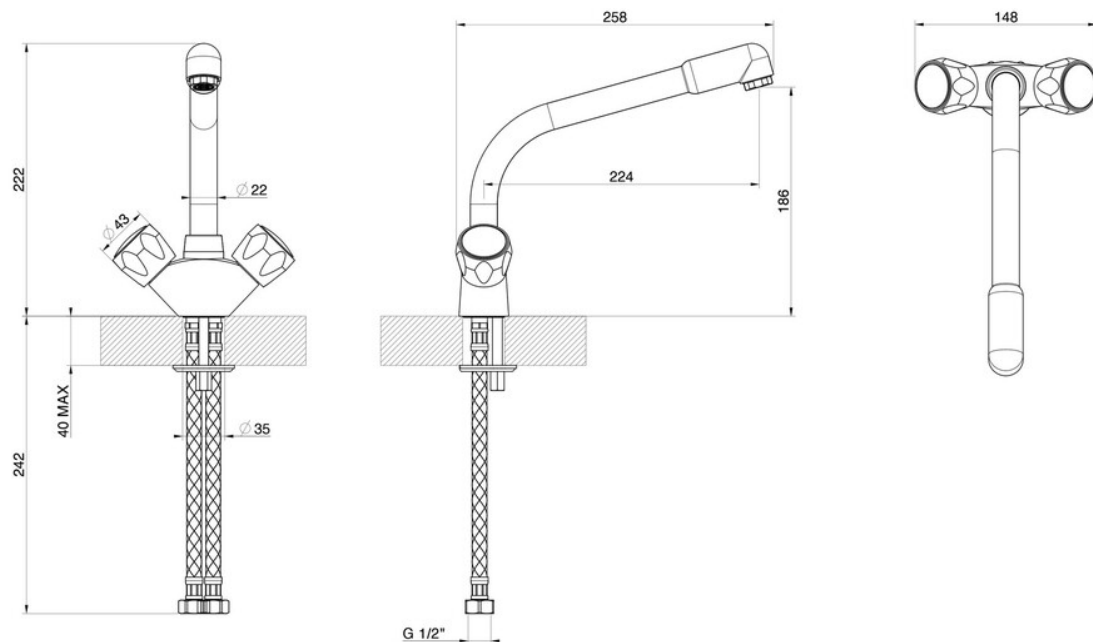
AGA Rangemaster continuously seeks improvements in specification, design and production of products and thus, alterations take place periodically. Whilst every effort is made to produce up to date resources, the information included here is intended as a guide. Always refer to the installation instructions when fitting, installation work should be completed by a professional tradesman.

# AQUABASE DUAL LEVER TAP CHROME

TAQBASECM/



## Technical Drawing



Date of download: March 05, 2026

AGA Rangemaster continuously seeks improvements in specification, design and production of products and thus, alterations take place periodically. Whilst every effort is made to produce up to date resources, the information included here is intended as a guide. Always refer to the installation instructions when fitting, installation work should be completed by a professional tradesman.