

AQUAFLAIR DUAL LEVER TAP CHROME

TFR1CM/



The Aquaflair features a tall sweeping spout paired with a modern cross handle design.

- Dual lever handle design
- Featuring an anti-splash spout with honeycomb aerator design which mixes air with water to emit a water flow with no splash
- Suitable for all pressure water systems
- Single flow spout
- WRAS approved

Overall Height (mm)	363
Spout Reach (mm)	246
Spout Height (mm)	239
Spout Rotation Range	360°
Handle Type	Dual Lever
Colour	Chrome
Bar Pressure Suitability	All Pressure
Min. Bar Pressure	0.2
Max. Bar Pressure	6.5
Mixed Flow Rate at 3 Bar Pressure (l/min)	19.7
Flow Type	Single flow
Recommended Hot Water Temperature	38°C
Maximum Hot Water Temperature	70°C
Handle Control	Quarter Turn
Centre Distance (mm)	-
Cartridge Type	Ceramic Disc Cartridge
Aerator Type	Honeycomb Aerator
Inlet Pipes	Stainless Flexible Hoses
Anti-Splash Spout	Yes
Pull Out Spray	No
WRAS Approved	Yes
Product Code	TFR1CM/
Barcode	5015834051772

Date of download: March 09, 2026

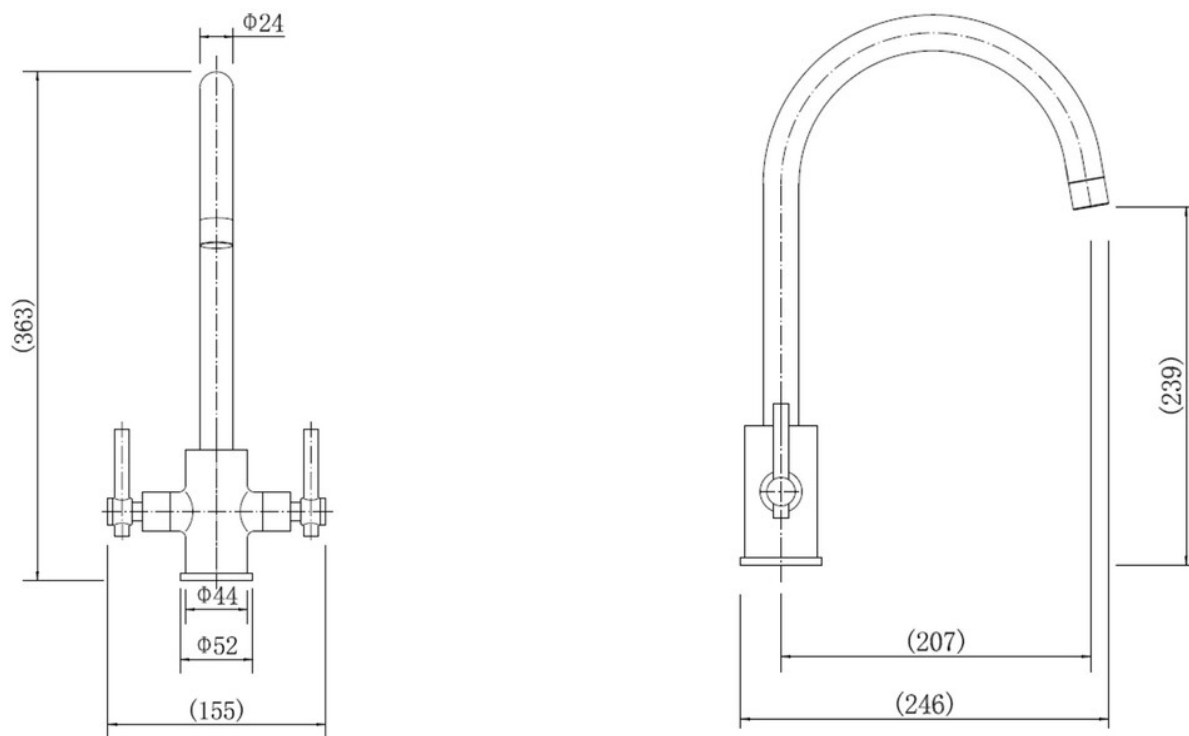
AGA Rangemaster continuously seeks improvements in specification, design and production of products and thus, alterations take place periodically. Whilst every effort is made to produce up to date resources, the information included here is intended as a guide. Always refer to the installation instructions when fitting, installation work should be completed by a professional tradesman.

AQUAFLAIR DUAL LEVER TAP CHROME

TFR1CM/



Technical Drawing



Date of download: March 09, 2026

AGA Rangemaster continuously seeks improvements in specification, design and production of products and thus, alterations take place periodically. Whilst every effort is made to produce up to date resources, the information included here is intended as a guide. Always refer to the installation instructions when fitting, installation work should be completed by a professional tradesman.