

# AQUASTONE GRANITE SINGLE LEVER TAP BLACK

TAQSTONESLBL/



The minimalist AquaStone Granite Tap features a slim and elegant design, made from durable granite with a stylish finish. The easy to use single lever includes a cold start valve, which is specifically designed to avoid the unnecessary use of hot water, helping you save on energy. Each side lever tap uses the latest 'Cold Start' technology; a new generation of energy saving.

- Tall modern design
- Neoperl Aerator integrated into spout
- Money saving Cold Start valve
- Single Flow
- Easy Fit Fixing Kit
- Flexi Tails for installation ease
- WRAS approved

Overall Height (mm)	419
Spout Reach (mm)	212
Spout Height (mm)	215
Spout Rotation Range	360°
Handle Type	Single Lever
Colour	Black
Bar Pressure Suitability	Medium Pressure
Min. Bar Pressure	0.5
Max. Bar Pressure	5
Mixed Flow Rate at 3 Bar Pressure (l/min)	
Flow Type	
Recommended Hot Water Temperature	46°C
Maximum Hot Water Temperature	70°C
Handle Control	Half Turn
Centre Distance (mm)	-
Cartridge Type	Ceramic Disc Cartridge
Aerator Type	Honeycomb Aerator
Inlet Pipes	Stainless Flexible Hoses
Anti-Splash Spout	Yes
Pull Out Spray	No
WRAS Approved	Yes
Product Code	TAQSTONESLBL/
Barcode	5015834056296

Date of download: March 05, 2026

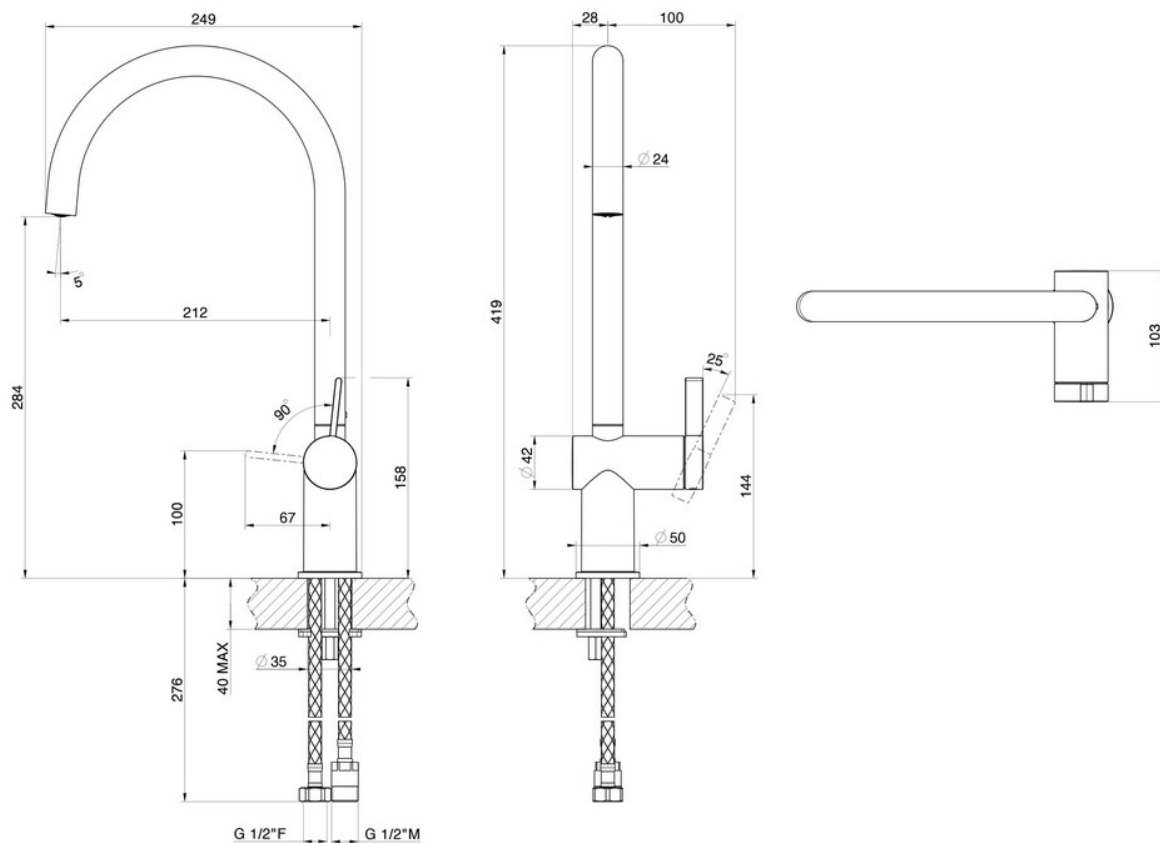
AGA Rangemaster continuously seeks improvements in specification, design and production of products and thus, alterations take place periodically. Whilst every effort is made to produce up to date resources, the information included here is intended as a guide. Always refer to the installation instructions when fitting, installation work should be completed by a professional tradesman.

# AQUASTONE GRANITE SINGLE LEVER TAP BLACK

TAQSTONESLBL/



## Technical Drawing



Date of download: March 05, 2026

AGA Rangemaster continuously seeks improvements in specification, design and production of products and thus, alterations take place periodically. Whilst every effort is made to produce up to date resources, the information included here is intended as a guide. Always refer to the installation instructions when fitting, installation work should be completed by a professional tradesman.