

SINGLE LEVER TAP CHROME

TAQSWAN2CM/



WRAS Approved



Overall Height (mm)	334
Spout Reach (mm)	181
Spout Height (mm)	235
Spout Rotation Range	
Handle Type	Single Lever
Colour	Chrome
Bar Pressure Suitability	
Min. Bar Pressure	0.5
Max. Bar Pressure	5
Mixed Flow Rate at 3 Bar Pressure (l/min)	
Flow Type	
Recommended Hot Water Temperature	
Maximum Hot Water Temperature	
Handle Control	
Centre Distance (mm)	
Cartridge Type	
Aerator Type	
Inlet Pipes	
Anti-Splash Spout	
Pull Out Spray	
WRAS Approved	Yes
Product Code	TAQSWAN2CM/
Barcode	5015834055398

Date of download: March 05, 2026

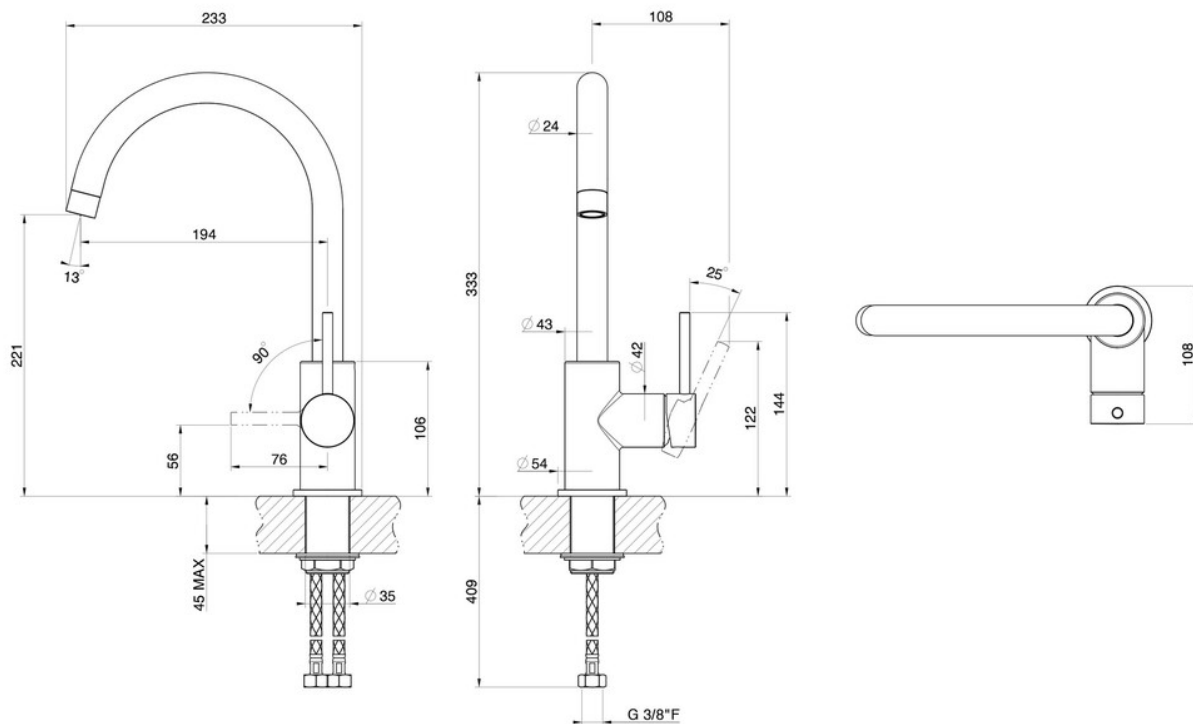
AGA Rangemaster continuously seeks improvements in specification, design and production of products and thus, alterations take place periodically. Whilst every effort is made to produce up to date resources, the information included here is intended as a guide. Always refer to the installation instructions when fitting, installation work should be completed by a professional tradesman.

SINGLE LEVER TAP CHROME

TAQSWAN2CM/



Technical Drawing



Date of download: March 05, 2026

AGA Rangemaster continuously seeks improvements in specification, design and production of products and thus, alterations take place periodically. Whilst every effort is made to produce up to date resources, the information included here is intended as a guide. Always refer to the installation instructions when fitting, installation work should be completed by a professional tradesman.