

ATLANTA 18/10 STAINLESS STEEL SINK

ATL9501/



Size: 950 x 508 mm

The Atlanta sink collection offers a contemporary design, which features raised flutes across the drainer. Contemporary bowls complement the overall look of the sink.

- Fits a 500mm cabinet
- Reversible installation
- Brushed finish
- Manufactured from 18/10 stainless steel
- 10 year warranty

Material	18/10 Stainless Steel
Material Gauge	0.7
Material Finish Bowl	Brushed
Material Finish Drainer	Brushed
Drainer Position	Reversible
Overall Length (mm)	950
Overall Width (mm)	508
Main Bowl Length (mm)	360
Main Bowl Width (mm)	424
Main Bowl Depth (mm)	160
Second Bowl Length (mm)	-
Second Bowl Width (mm)	-
Second Bowl Depth (mm)	-
Tap hole Size (mm)	1 x 35
Waste Size (mm)	1 x 90
Waste Kit	WAST09/ (sold separately)
Min. Base Unit (mm)	500
Cutout Size Length (mm)	
Cutout Size Width (mm)	
Warranty Sinks (years)	25
Product Code	ATL9501/
Barcode	5015834057026

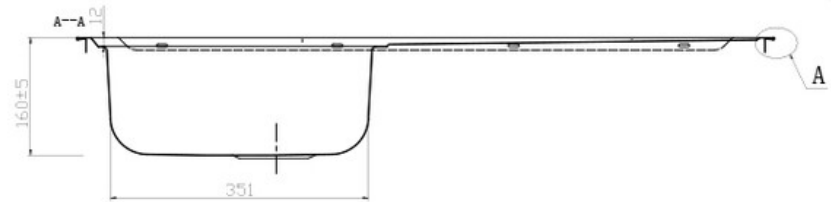
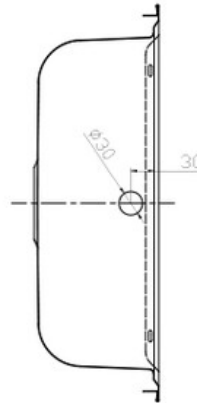
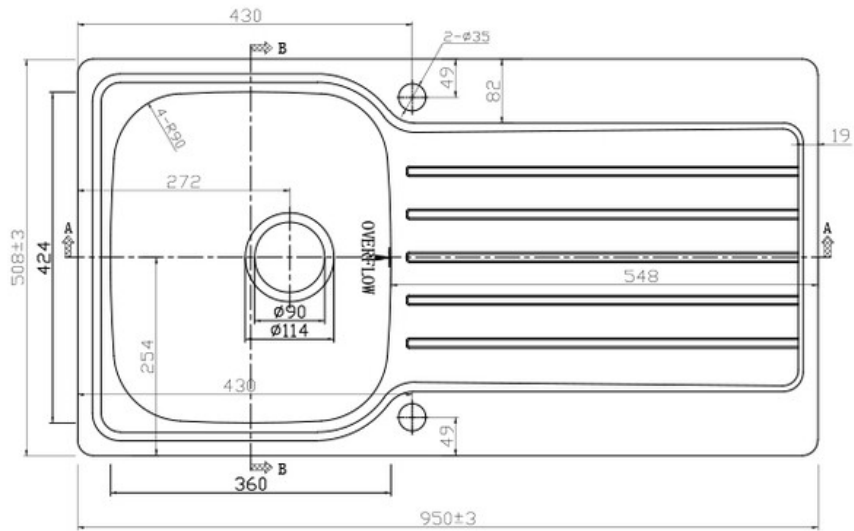
Date of download: March 05, 2026

AGA Rangemaster continuously seeks improvements in specification, design and production of products and thus, alterations take place periodically. Whilst every effort is made to produce up-to date resources, the information included here is intended as a guide. Always refer to the product's installation instructions when fitting, installation work should be completed a professional tradesman.

ATLANTA 18/10 STAINLESS STEEL SINK

ATL9501/

Technical Drawing



AGA Rangemaster continuously seeks improvements in specification, design and production of products and thus, alterations take place periodically. Whilst every effort is made to produce up-to date resources, the information included here is intended as a guide. Always refer to the product's installation instructions when fitting, installation work should be completed a professional tradesman.