

COMPACT 18/10 STAINLESS STEEL SINK

CPTRD580/



Size: 580 x 450 mm

The Compact collection includes two variants, offering the choice of two different bowl shapes, round or square, each featuring mini drainers - complementing any compact space such as kitchen utility rooms.

- Compact size
- Fits a 450mm cabinet size
- Reversible installation
- Satin finish
- Manufactured from 18/10 stainless steel
- 10 year warranty

Waste kit sold separately, please order WAST09/



Material	18/10 Stainless Steel
Material Gauge	0.6
Material Finish Bowl	Satin
Material Finish Drainer	Satin
Drainer Position	Reversible
Overall Length (mm)	580
Overall Width (mm)	450
Main Bowl Length (mm)	370
Main Bowl Width (mm)	370
Main Bowl Depth (mm)	175
Second Bowl Length (mm)	-
Second Bowl Width (mm)	-
Second Bowl Depth (mm)	-
Tap hole Size (mm)	1 x 35
Waste Size (mm)	1 x 89
Waste Kit	Sold separately, please order WAST09/
Min. Base Unit (mm)	450
Cutout Size Length (mm)	560
Cutout Size Width (mm)	430
Warranty Sinks (years)	10
Product Code	CPTRD580/
Barcode	5015834052113

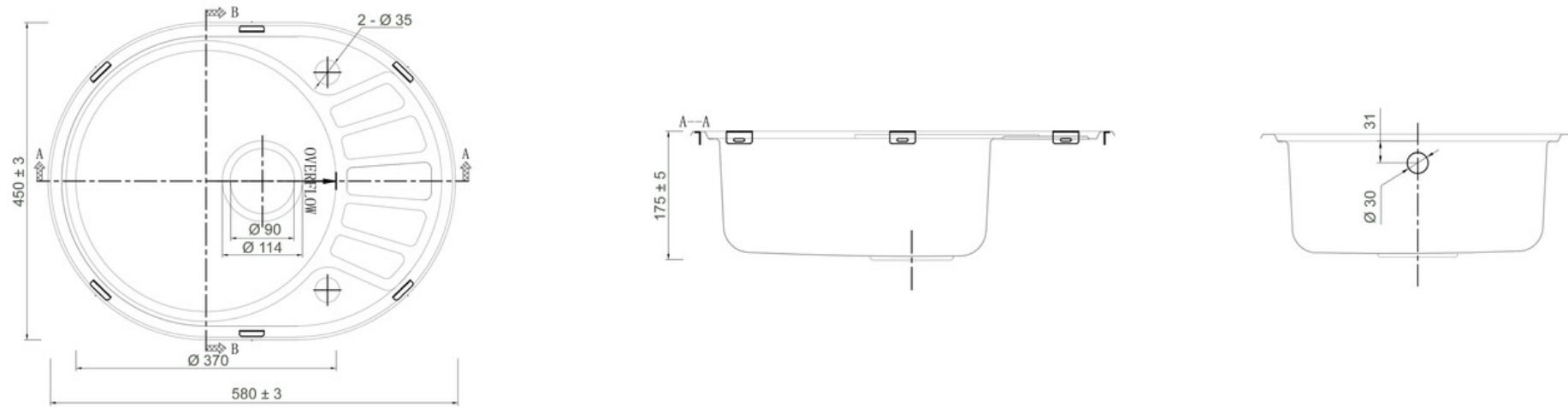
Date of download: March 05, 2026

AGA Rangemaster continuously seeks improvements in specification, design and production of products and thus, alterations take place periodically. Whilst every effort is made to produce up-to date resources, the information included here is intended as a guide. Always refer to the product's installation instructions when fitting, installation work should be completed a professional tradesman.

COMPACT 18/10 STAINLESS STEEL SINK

CPTRD580/

Technical Drawing



Date of download: March 05, 2026

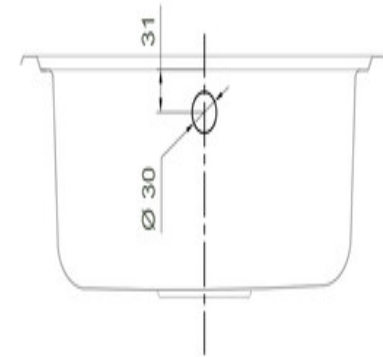
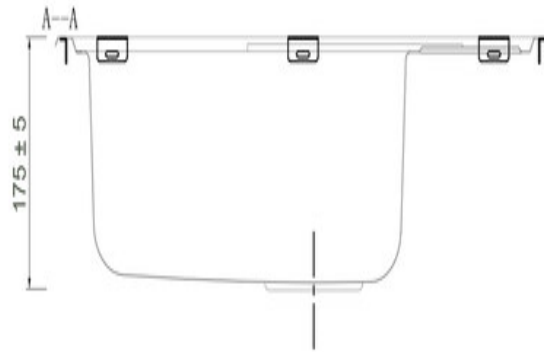
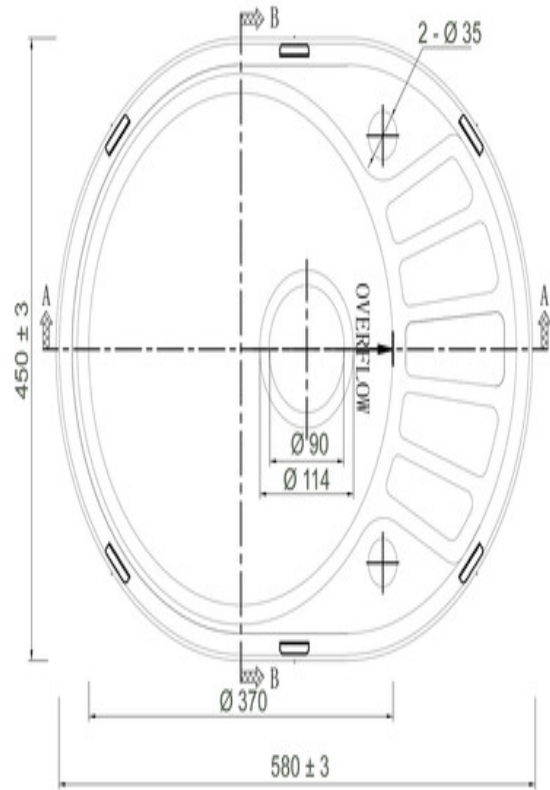
AGA Rangemaster continuously seeks improvements in specification, design and production of products and thus, alterations take place periodically. Whilst every effort is made to produce up-to date resources, the information included here is intended as a guide. Always refer to the product's installation instructions when fitting, installation work should be completed a professional tradesman.

COMPACT 18/10 STAINLESS STEEL SINK

CPTRD580/

Cut Out Template

Dimensions in mm. Not to scale.



Date of download: March 05, 2026

AGA Rangemaster continuously seeks improvements in specification, design and production of products and thus, alterations take place periodically. Whilst every effort is made to produce up-to date resources, the information included here is intended as a guide. Always refer to the product's installation instructions when fitting, installation work should be completed a professional tradesman.