

CONTRACT 18/10 STAINLESS STEEL SIT ON SINK

LC106L/RF



Size: 1000 x 600 mm

Designed to sit on top of the cabinet, the contract sink collection is available in two different widths to suit 500mm or 600mm width worktops and available in two different front ledge designs, roll front or square front.

- Roll front ledge
- 600mm width
- Left-hand drainer
- Satin bowl, bright drainer
- Manufactured from 18/10 stainless steel
- 10 year warranty

Waste kit sold separately, please order WAST05/ or WAST17/

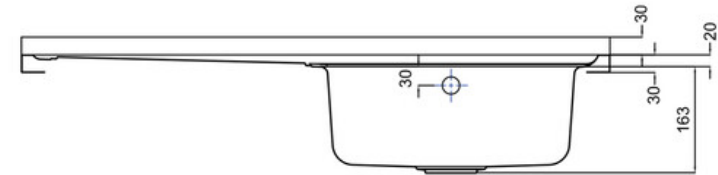
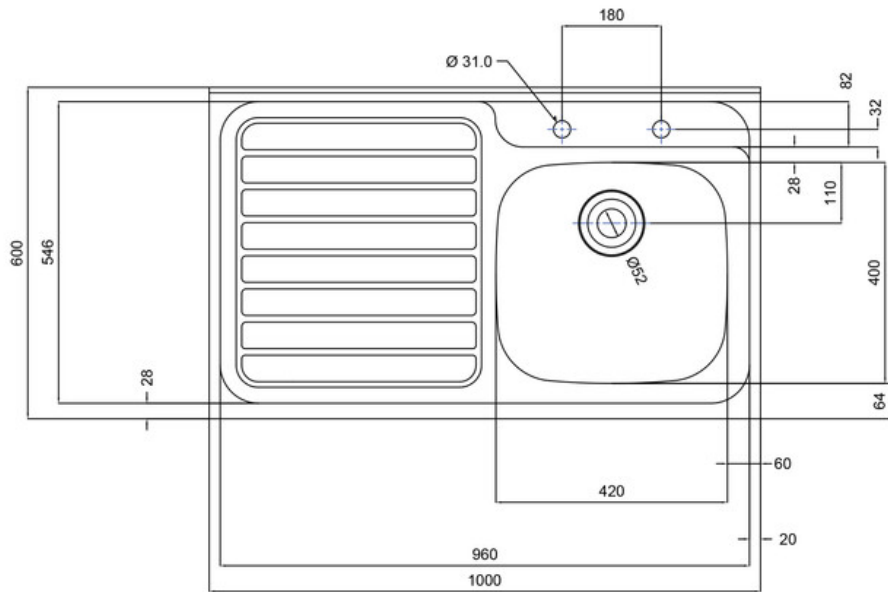
Material	18/10 Stainless Steel
Material Gauge	0.6
Material Finish Bowl	Satin
Material Finish Drainer	Bright
Drainer Position	Left hand
Overall Length (mm)	1000
Overall Width (mm)	600
Main Bowl Length (mm)	420
Main Bowl Width (mm)	400
Main Bowl Depth (mm)	160
Second Bowl Length (mm)	-
Second Bowl Width (mm)	-
Second Bowl Depth (mm)	-
Tap hole Size (mm)	2 x 31
Waste Size (mm)	1 x 52
Waste Kit	Sold separately, please order WAST05/ or WAST17/
Min. Base Unit (mm)	1000
Cutout Size Length (mm)	-
Cutout Size Width (mm)	-
Warranty Sinks (years)	10
Product Code	LC106L/RF
Barcode	5015834002330

Date of download: March 05, 2026

CONTRACT 18/10 STAINLESS STEEL SIT ON SINK

LC106L/RF

Technical Drawing



Date of download: March 05, 2026

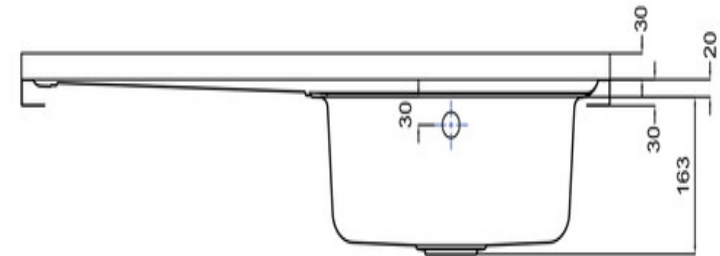
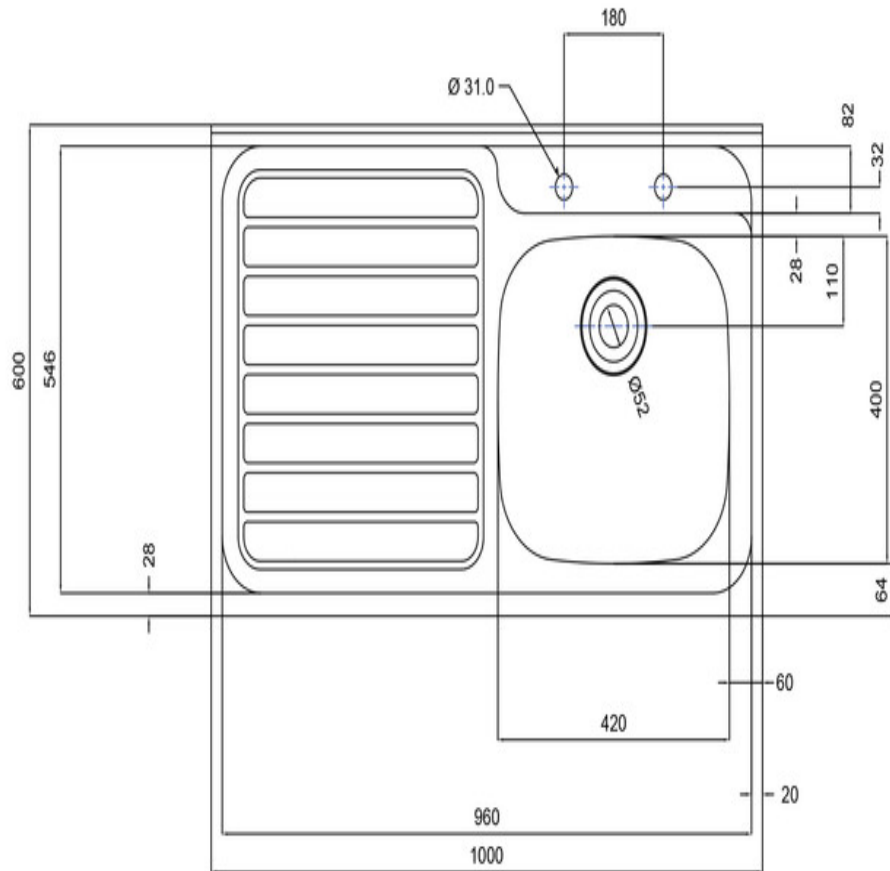
AGA Rangemaster continuously seeks improvements in specification, design and production of products and thus, alterations take place periodically. Whilst every effort is made to produce up-to date resources, the information included here is intended as a guide. Always refer to the product's installation instructions when fitting, installation work should be completed a professional tradesman.

CONTRACT 18/10 STAINLESS STEEL SIT ON SINK

LC106L/RF

Cut Out Template

Dimensions in mm. Not to scale.



Date of download: March 05, 2026