

## EUROLINE 18/10 STAINLESS STEEL INSET SINK

EL9502/



### Size: 950 x 508 mm

The Euroline collection features soft curved bowls with a recessed drainer design. Euroline is available in a multitude of different sizes, finishes and bowl configurations, offering a solution for every installation.

- Fits a 600mm cabinet
- Reversible installation
- Featuring a reduced waste size
- Polished finish
- Manufactured from 18/10 stainless steel
- 10 year warranty

Waste kit sold separately, please order WKIT06/

Material	18/10 Stainless Steel
Material Gauge	0.7
Material Finish Bowl	Polished
Material Finish Drainer	Polished
Drainer Position	Reversible
Overall Length (mm)	950
Overall Width (mm)	508
Main Bowl Length (mm)	340
Main Bowl Width (mm)	424
Main Bowl Depth (mm)	150
Second Bowl Length (mm)	156
Second Bowl Width (mm)	300
Second Bowl Depth (mm)	125
Tap hole Size (mm)	1 x 35
Waste Size (mm)	1 x 52, 1 x 92
Waste Kit	Sold separately, please order WKIT06/
Min. Base Unit (mm)	600
Cutout Size Length (mm)	930
Cutout Size Width (mm)	488
Warranty Sinks (years)	10
Product Code	EL9502/
Barcode	5015834001487

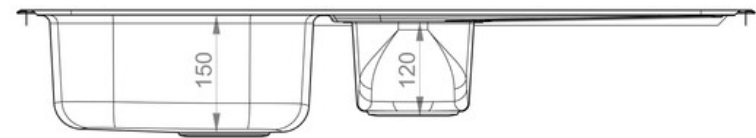
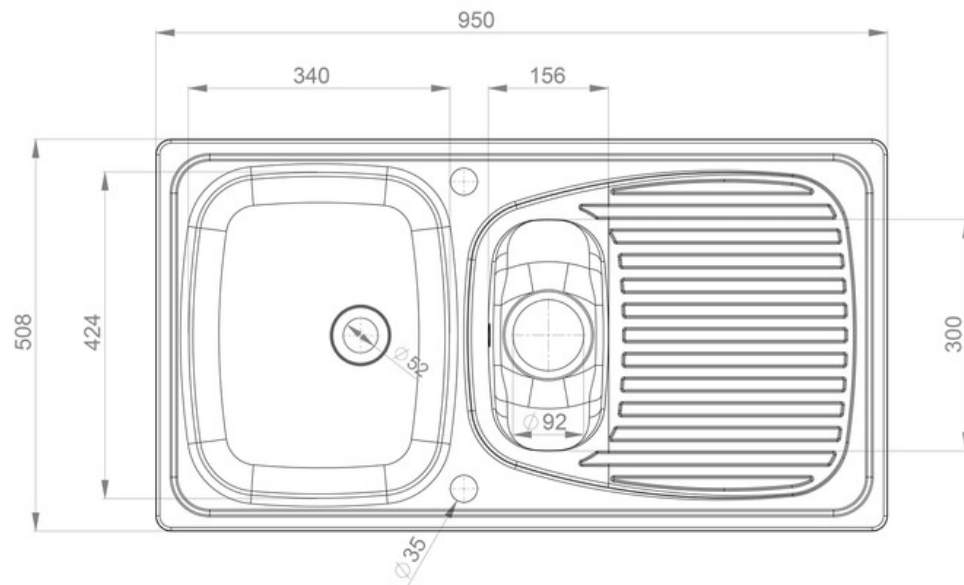
Date of download: March 09, 2026

AGA Rangemaster continuously seeks improvements in specification, design and production of products and thus, alterations take place periodically. Whilst every effort is made to produce up-to date resources, the information included here is intended as a guide. Always refer to the product's installation instructions when fitting, installation work should be completed a professional tradesman.

# EUROLINE 18/10 STAINLESS STEEL INSET SINK

EL9502/

## Technical Drawing



Date of download: March 09, 2026

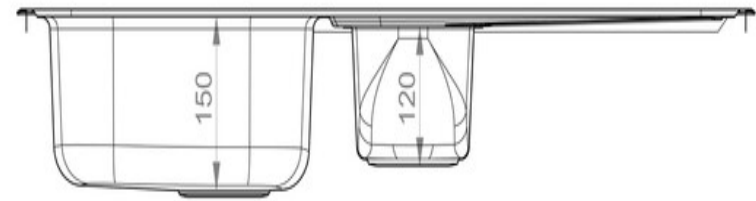
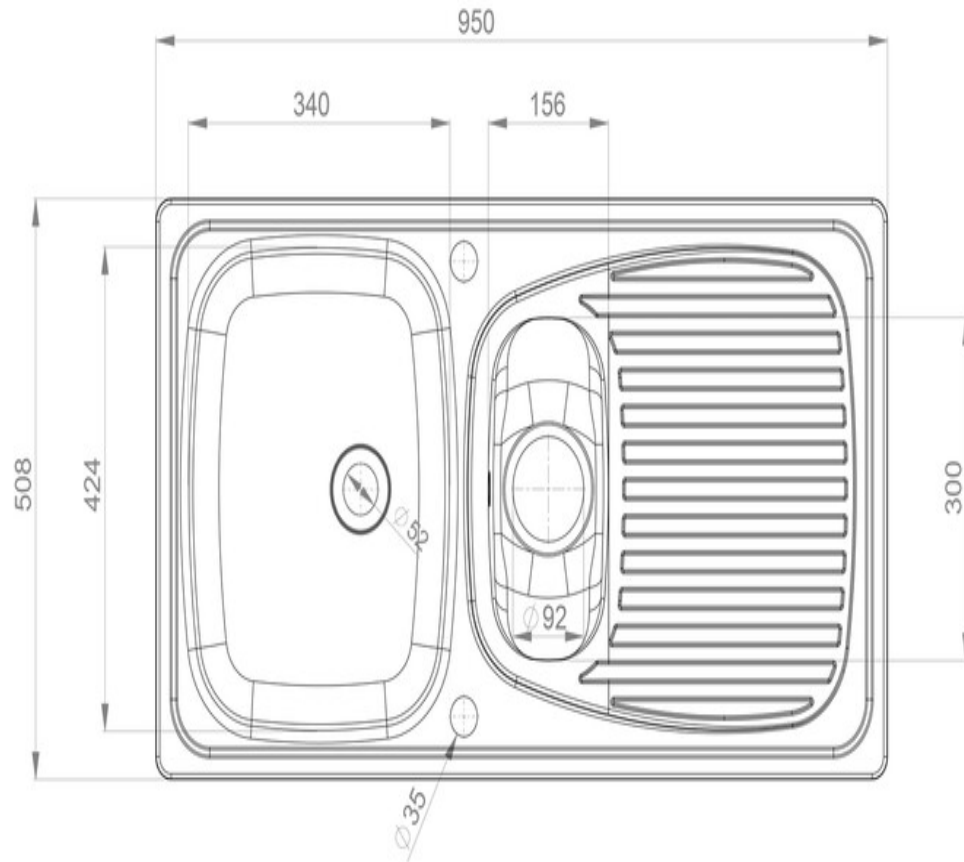
AGA Rangemaster continuously seeks improvements in specification, design and production of products and thus, alterations take place periodically. Whilst every effort is made to produce up-to date resources, the information included here is intended as a guide. Always refer to the product's installation instructions when fitting, installation work should be completed a professional tradesman.

# EUROLINE 18/10 STAINLESS STEEL INSET SINK

EL9502/

## Cut Out Template

Dimensions in mm. Not to scale.



Date of download: March 09, 2026

AGA Rangemaster continuously seeks improvements in specification, design and production of products and thus, alterations take place periodically. Whilst every effort is made to produce up-to date resources, the information included here is intended as a guide. Always refer to the product's installation instructions when fitting, installation work should be completed a professional tradesman.