

NOVA GRANITE SINK

NOV1051BL/



Size: 1000 x 500 mm

Nova combines style with functionality; the drainer with defined straight lines creates a contemporary look and larger bowl adds a practical design with room to accommodate large utensils, making it easier to use.

- Reverse drainer
- Compact option,
- Waste kit included
- Hygienic surface
- Anti-impact
- Anti-shock
- Anti-UV

Material	Granite
Material Gauge	
Material Finish Bowl	
Material Finish Drainer	
Drainer Position	Reversible
Overall Length (mm)	1000
Overall Width (mm)	500
Main Bowl Length (mm)	480
Main Bowl Width (mm)	428
Main Bowl Depth (mm)	217
Second Bowl Length (mm)	-
Second Bowl Width (mm)	-
Second Bowl Depth (mm)	-
Tap hole Size (mm)	1 x 35
Waste Size (mm)	1 x 90
Waste Kit	Included with sink (1 x 90mm)
Min. Base Unit (mm)	600
Cutout Size Length (mm)	980
Cutout Size Width (mm)	480
Warranty Sinks (years)	10
Product Code	NOV1051BL/
Barcode	5015834055473

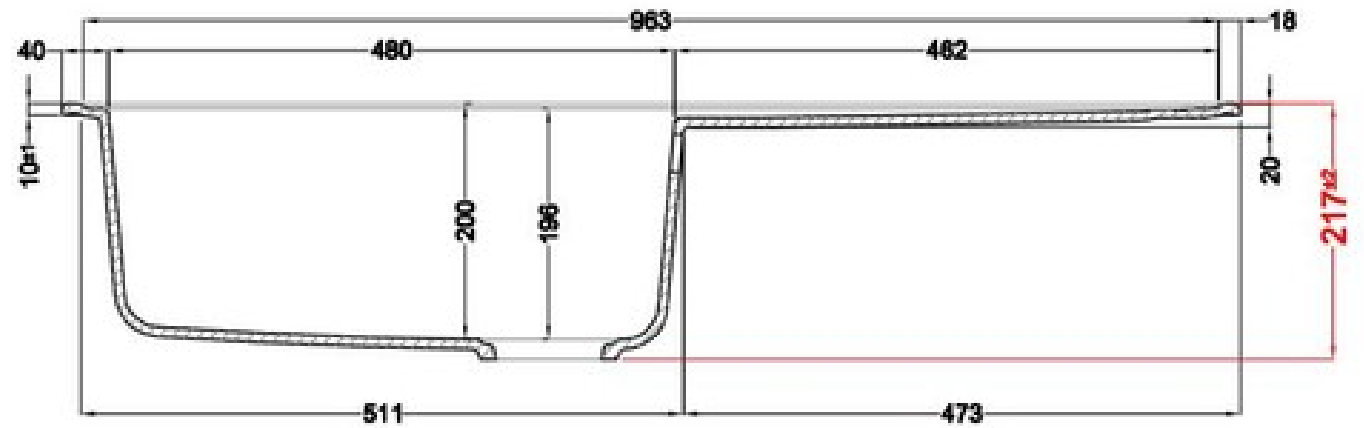
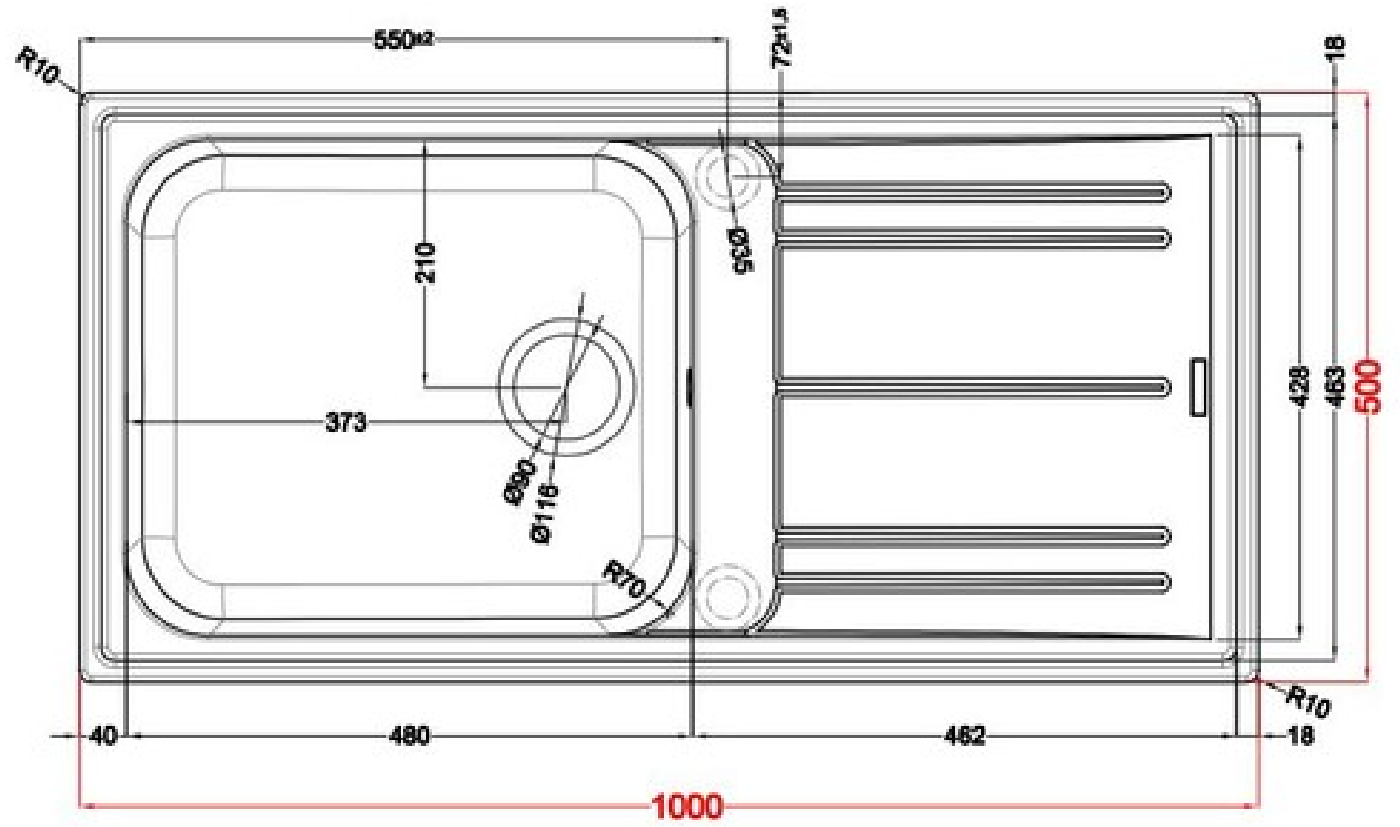
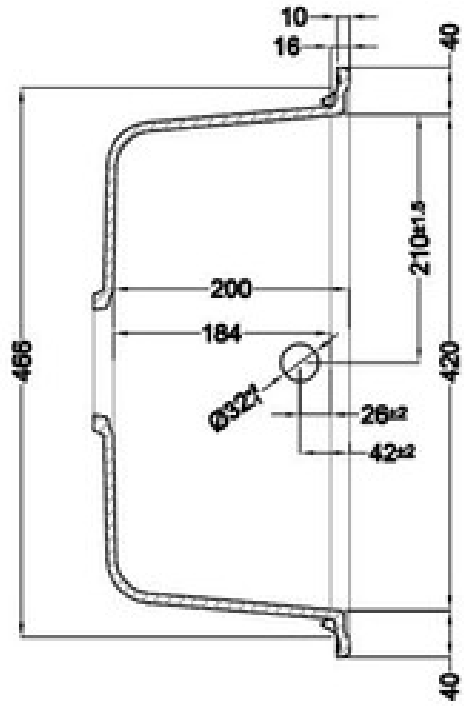
Date of download: March 04, 2026

AGA Rangemaster continuously seeks improvements in specification, design and production of products and thus, alterations take place periodically. Whilst every effort is made to produce up-to date resources, the information included here is intended as a guide. Always refer to the product's installation instructions when fitting, installation work should be completed a professional tradesman.

NOVA GRANITE SINK

NOV1051BL/

Technical Drawing



Date of download: March 04, 2026

AGA Rangemaster continuously seeks improvements in specification, design and production of products and thus, alterations take place periodically. Whilst every effort is made to produce up-to date resources, the information included here is intended as a guide. Always refer to the product's installation instructions when fitting, installation work should be completed a professional tradesman.

NOVA GRANITE SINK

NOV1051BL/