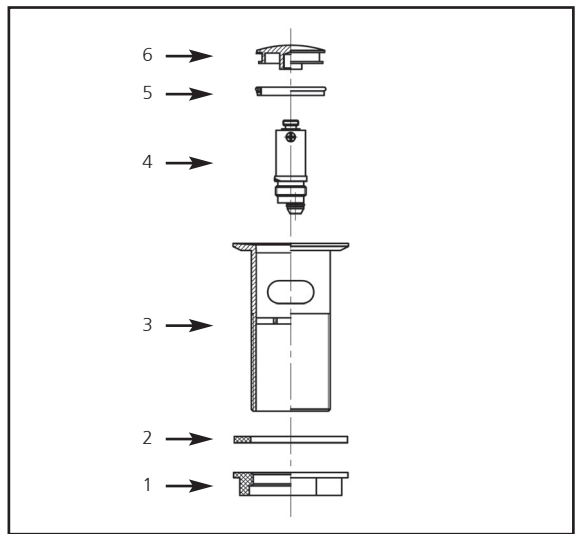


ITEM	DESCRIPTION	QTY
1	PLASTIC BACK NUT	1
2	WASHER	1
3	WASTE BODY	1
4	SPRING MECHANISM	1
5	'O' RING WASHER	1
6	STOPPER	1



FITTING INSTRUCTIONS

Sprung Basin Waste

BEFORE YOU START

This product must be connected in accordance with UK Building Regulations. If you are in any doubt about these requirements, contact a qualified plumber.

- a. Identify all components and check pack contents.
- b. It is advised to fit waste to basin BEFORE installation of the basin.

INSTALLATION

1. Fit Waste Body (3) through hole in basin. It is advisable to use a small bead of silicone sealant between Waste Body (3) and the basin.
2. Fit Washer (2) onto threaded part of Waste Body (3) and screw Back Nut (1) onto Waste Body (3). DO NOT OVERTIGHTEN.

AFTER CARE

To maintain the appearance of this fitting, ensure it is cleaned only using a clean soft damp cloth. A solution of warm water and mild liquid detergent may be used where necessary and then rinsed thoroughly. Abrasive cleaners or acidic cleaners **MUST NOT BE USED** under any circumstances. Avoid contact with solvents.

Please retain these instructions for future reference.