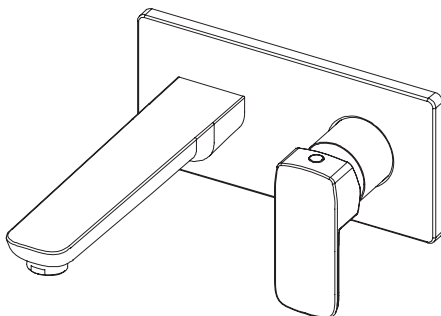


Wall Mounted Basin Mixer

Fitting instructions

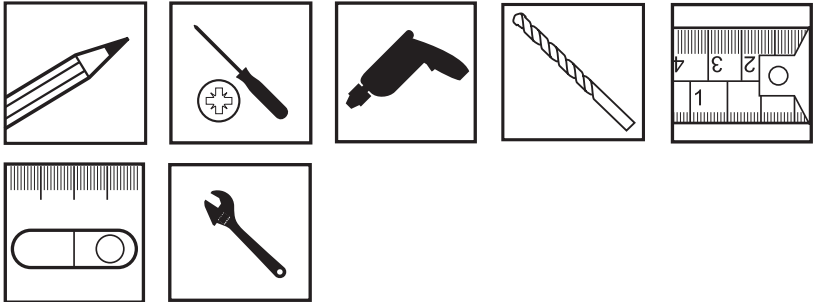


**Please note: Tap head shown is for illustration purposes only.
Please keep these instructions for future reference and request of replacement parts.**

We have taken great care to ensure that this product reaches you in perfect condition. However should any parts be damaged or missing please contact your point of purchase. This does not affect your statutory rights. In addition if you require replacement parts your point of purchase will be happy to assist.

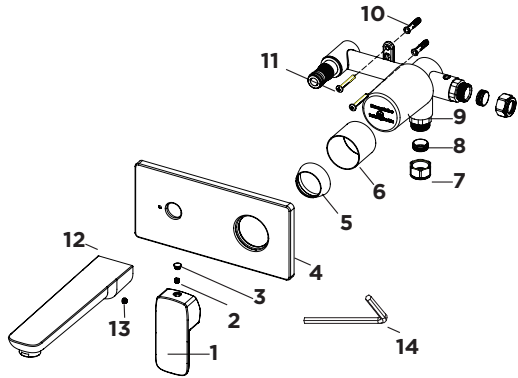
Contents	Page
2. Tools Required	2
3. Parts Supplied	3
4. Water Pressure	3
5. Installation	3-6
6. Aftercare	6

Tools Required
(Tools not supplied)



Parts Supplied

NO.	Description	Qty
1	Handle	1
2	Grub Screw	1
3	Cap	1
4	Wall Plate	1
5	Valve Cover	1
6	Shell	1
7	Fixing Nuts	2
8	Copper Rings	2
9	Mixer body	1
10	Wall Plugs	2
11	Wall Screws	2
12	Spout	1
13	Grub Screw	1
14	Allen Key	1



Water Pressure

The mixer is suitable for use at water supply pressures of 0.2 bar (min.) to 5 bar (max.). If installed at a low pressure, the minimum height from the outlet of the nozzle to the underside of the cold tank should be 2 metres to ensure adequate performance.

This mixer should be installed in compliance with Water Regulations. For further details, contact your Local Water Authority.

- Identify all components and check pack contents.
- Isolate hot & cold water supplies.
- It is also recommended that the water heating arrangements are turned off.
- Drain the hot and cold water system. It is recommended to ensure complete drainage.

Installation

Important: Minimum wall cavity depth: 40 mm

Min-Max Concealing Plate adjustment: 40-48 mm

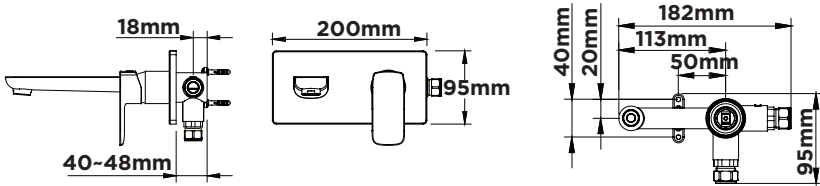
When installing this mixer please ensure the thickness of the tiles, adhesive and plasterboard are taken into consideration as part of the product installation.

-Front Access

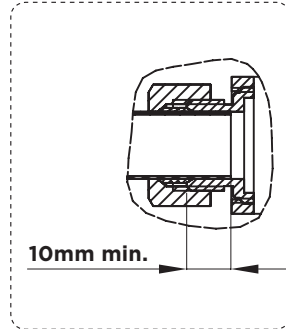
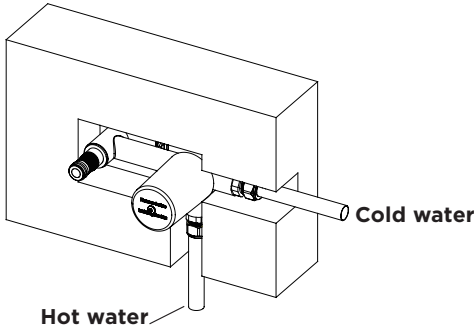
Prior to installing this basin mixer, please flush all pipework to ensure it is clear of any debris that could cause damage to the valves in your new mixer.

Before starting any work - Please ensure you have fully isolated both the hot and cold water supply.

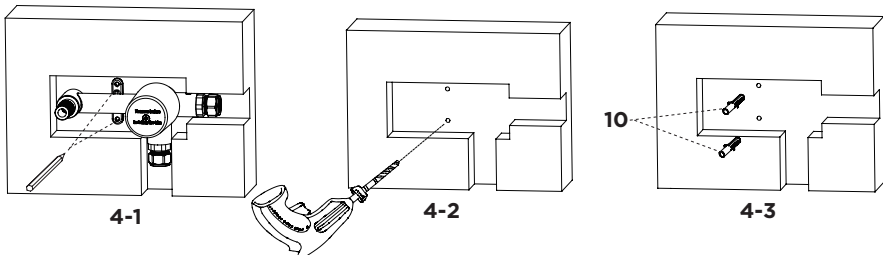
1. Prepare the recess in the wall for the mixer body pipe work - please see the diagrams to ensure adequate clearance is awarded for installation and additional tiling.



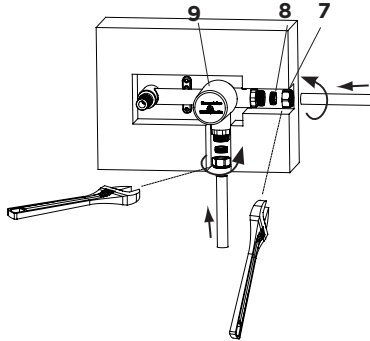
2. Arrange the pipework so that the hot water is connected from the bottom and to the inlet, and the cold water is connected from the right and to the inlet marked with "C" on the tap body. Ensure that the pipe is long enough, so that the pipe end can be inserted into the valve a minimum of 10mm.



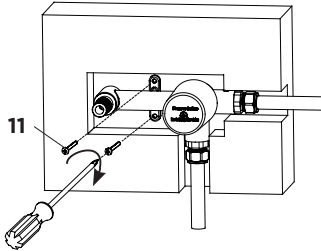
3. Connect the valve loosely to the pipework, do not tighten.
4. Hold the valve in the position inside the cavity and mark the screw holes, disconnect the valve drill the holes and insert Wall Plugs (10) .



5. Connect the Mixer body (9) to the pipework using Copper Rings (8) and Fixing Nuts (7), but do not tighten.



6. Tighten Wall Screws (11) until secure.

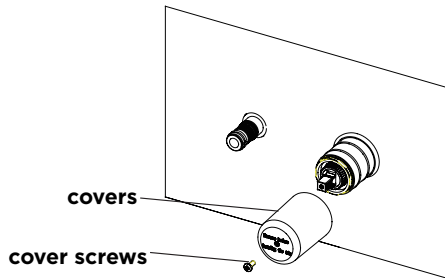


7. Tighten connection of valve to the pipework until watertight.

8. Plasterboard and tile the cavity wall ensuring there is an adequate gap between the tiles and the valve. See page 3.

9. Turn on the water supply and check for leaks.

10. Turn off the water supply . Remove the cover screws and covers from the valve.



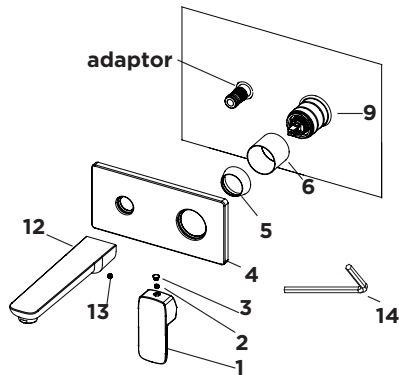
11. Push the Shell (6) over the Mixer body (9).

12. Fit Valve Cover (5) to the Mixer body (9) and tighten by hand.

13. Push Wall Plate (4) over the Shell (6).

14. Fit the handle (1) to the Mixer body (9) ,Fit Grub Screw(2) to the handle and tighten with Allen key(14). DO NOT OVERTIGHTEN. Then fit the Cap (3) to the handle (1).

15. Fit the Spout (12) to the adaptor of the Mixer body (9) using the Grub Screw (13) and tighten. Take care not to damage product or the O Ring of the adaptor.
16. Turn on the water supply and check for leaks.



Aftercare Instructions

Whilst modern plating techniques are used in the manufacture of these fittings, the plating will wear if not cleaned properly. The safest way to clean your mixer is to wipe with a soft damp cloth. Stains can be removed using washing up liquid. All cleaning powders and liquids will damage the surface of your fitting, even non-scratch cleaners.

We have taken great care to ensure that this product reaches you in perfect condition. However should any parts be damaged or missing please contact your point of purchase. This does not affect your statutory rights. In addition if you require replacement parts your point of purchase will be happy to assist.