

SHOWER TRAYS & WALL PANELS

JUST LIKE ANY MIRA
PRODUCT, MIRA
FLIGHT TRAYS DON'T
DISAPPOINT.

www.mirashowers.co.uk/expert

Showering perfection™

mira
SHOWERS

SHOWER TRAYS & WALL PANELS

AS A PROFESSIONAL YOU'LL ALWAYS BE ON THE LOOKOUT FOR PRODUCTS THAT WON'T LET YOU DOWN. AND, JUST LIKE ANY MIRA PRODUCT, MIRA FLIGHT TRAYS DON'T DISAPPOINT. THEY'RE THINNER, LIGHTER, EASIER TO FIT, INCREDIBLY STRONG, AND THEY ALWAYS KEEP THEIR COLOUR, STAYING IN PERFECT HARMONY WITH THE BATHROOM

MIRA FLIGHT QUADRANT **180**
MIRA FLIGHT PENTAGON **181**
MIRA FLIGHT RECTANGLE **182**
MIRA FLIGHT SQUARE **183**
MIRA FLIGHT LOW QUADRANT **186**
MIRA FLIGHT LOW PENTAGON **187**
MIRA FLIGHT LOW RECTANGLE **188**
MIRA FLIGHT LOW SQUARE **189**

MIRA FLIGHT TRAY ACCESSORIES **190**
MIRA FLIGHT WALL PANELS **192**

Mira Flight has thinner, stronger upstands so your customers will enjoy maximum protection against leaks, giving them complete peace of mind.

A Mira Flight riser kit (optional) also allows you to convert a Mira Flight tray to a riser tray providing the flexibility of installation on a solid floor.

We have two riser kits available. The **Adjustable Height Riser Kit** provides 25mm of adjustability between a minimum height of 215mm and a maximum of 240mm to the top of the tray. However, if you don't need to adjust the height then choose the **Riser Conversion Kit**. Both kits are easy to install and are supplied with removable panels, simple clip-on fixings and push fit legs.

Your customers will love the fact we use BioCote® in all our trays too. It's an innovative antibacterial technology which:

- Reduces bacteria and mould by up to 99.9%
- Is already specified in the healthcare sector
- Is added to the tray when we make it, so it will never wear off or wash away



Mira Flight adjustable riser kit (optional)



Mira Flight upstands

MIRA FLIGHT TRAY

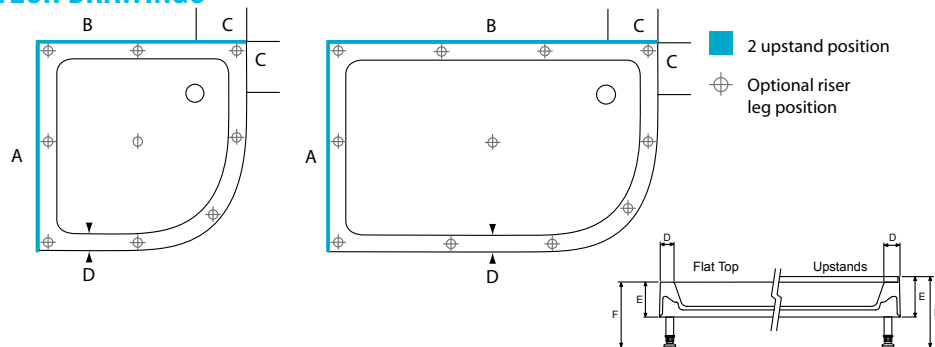
QUADRANT



Availability				
Size (mm)	Upstands	Product Code	Adjustable Height Riser Conversion Kit Product Code	Riser Conversion Kit Product Code
800	0	1.1783.040.WH	1.1570.753.WH	1.1783.102.WH
800	2	1.1783.041.WH	1.1570.753.WH	1.1783.102.WH
900	0	1.1783.042.WH	1.1570.753.WH	1.1783.102.WH
900	2	1.1783.043.WH	1.1570.753.WH	1.1783.102.WH
1000 x 800 L/H	0	1.1783.044.WH	1.1570.750.WH	1.1783.105.WH
1000 x 800 R/H	0	1.1783.045.WH	1.1570.750.WH	1.1783.105.WH
1200 x 900 L/H	0	1.1783.046.WH	1.1570.750.WH	1.1783.105.WH
1200 x 900 R/H	0	1.1783.047.WH	1.1570.750.WH	1.1783.105.WH

Dimensions (mm)													
Flat Top							Upstands						
A	B	C	D	E	F (Adj)	F (New)	A	B	C	D	E	F (Adj)	F (New)
800	800	160	55	90	185-205	190	810	810	165	60	112	207-227	212
900	900	160	55	90	185-205	190	910	910	165	60	112	207-227	212
800	1000	160	55	90	185-205	190	n/a	n/a	n/a	n/a	n/a	n/a	212
900	1200	160	55	90	185-205	190	n/a	n/a	n/a	n/a	n/a	n/a	212

TECH DRAWINGS



MIRA FLIGHT TRAY

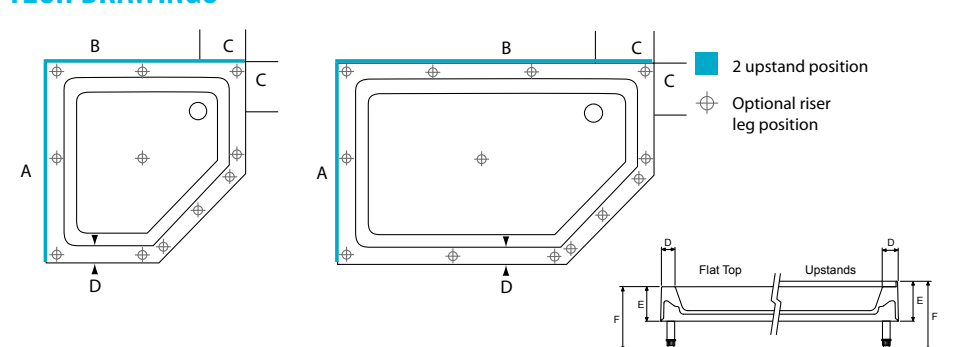
PENTAGON



Availability				
Size (mm)	Upstands	Product Code	Adjustable Height Riser Conversion Kit Product Code	New Riser Conversion Kit Product Code
900	0	1.1783.050.WH	1.1570.132.WH	1.1783.106.WH
900	2	1.1783.051.WH	1.1570.132.WH	1.1783.106.WH
1200 x 900 L/H	0	1.1783.052.WH	1.1570.751.WH	1.1783.106.WH
1200 x 900 R/H	0	1.1783.053.WH	1.1570.751.WH	1.1783.106.WH

Dimensions (mm)													
Flat Top							Upstands						
A	B	C	D	E	F (Adj)	F (New)	A	B	C	D	E	F (Adj)	F (New)
900	900	160	55	90	210-240	190	910	910	165	60	112	232-262	212
900	1200	160	55	90	210-240	190	n/a	n/a	n/a	n/a	n/a	n/a	212

TECH DRAWINGS



MIRA FLIGHT TRAY

RECTANGLE

Size (mm)	Upstands	Availability		
		Product Code	Adjustable Height Riser Conversion Kit Product Code	New Riser Conversion Kit Product Code
900 x 760	0	1.1783.009.WH	1.1570.130.WH	1.1783.101.WH
900 x 760	3	1.1783.010.WH	1.1570.130.WH	1.1783.101.WH
900 x 760	4	1.1783.011.WH	1.1570.130.WH	1.1783.101.WH
1000 x 760	0	1.1783.016.WH	1.1570.131.WH	1.1783.104.WH
1000 x 760	3	1.1783.017.WH	1.1570.131.WH	1.1783.104.WH
1000 x 760	4	1.1783.018.WH	1.1570.131.WH	1.1783.104.WH
1000 x 800	0	1.1783.019.WH	1.1570.131.WH	1.1783.104.WH
1000 x 800	3	1.1783.020.WH	1.1570.131.WH	1.1783.104.WH
1000 x 800	4	1.1783.021.WH	1.1570.131.WH	1.1783.104.WH
1200 x 760	0	1.1783.022.WH	1.1570.131.WH	1.1783.104.WH
1200 x 760 LH	2	1.1783.023.WH	1.1570.131.WH	1.1783.104.WH
1200 x 760 RH	2	1.1783.024.WH	1.1570.131.WH	1.1783.104.WH
1200 x 760	3	1.1783.025.WH	1.1570.131.WH	1.1783.104.WH
1200 x 760	4	1.1783.026.WH	1.1570.131.WH	1.1783.104.WH
1200 x 800	0	1.1783.027.WH	1.1570.131.WH	1.1783.104.WH
1200 x 800	3	1.1783.028.WH	1.1570.131.WH	1.1783.104.WH
1200 x 800	4	1.1783.029.WH	1.1570.131.WH	1.1783.104.WH
1200 x 900	0	1.1783.030.WH	1.1570.131.WH	1.1783.104.WH
1200 x 900	3	1.1783.031.WH	1.1570.131.WH	1.1783.104.WH
1200 x 900	4	1.1783.032.WH	1.1570.131.WH	1.1783.104.WH
1400 x 800	0	1.1783.033.WH	1.1570.642.WH	1.1783.107.WH
1500 x 760	4	1.1783.034.WH	1.1570.642.WH	1.1783.107.WH

Dimensions (mm)							
Flat Top							
A	B	C	D	E	F (Adj)	F (New)	
900	760	160	55	90	210-240	190	
1000	760	160	55	90	210-240	190	
1000	800	160	55	90	210-240	190	
1200	760	160	55	90	210-240	190	
1200	800	160	55	90	210-240	190	
1200	900	160	55	90	210-240	190	
1400	800	160	55	90	210-240	190	
Upstands							
A	B	C	D	E	F (Adj)	F (New)	
910	770	165	60	112	232-262	212	
1010	770	165	60	112	232-262	212	
1010	810	165	60	112	232-262	212	
1210	770	165	60	112	232-262	212	
1210	810	165	60	112	232-262	212	
1210	910	165	60	112	232-262	212	
1210	770	165	60	112	232-262	212	

MIRA FLIGHT TRAY

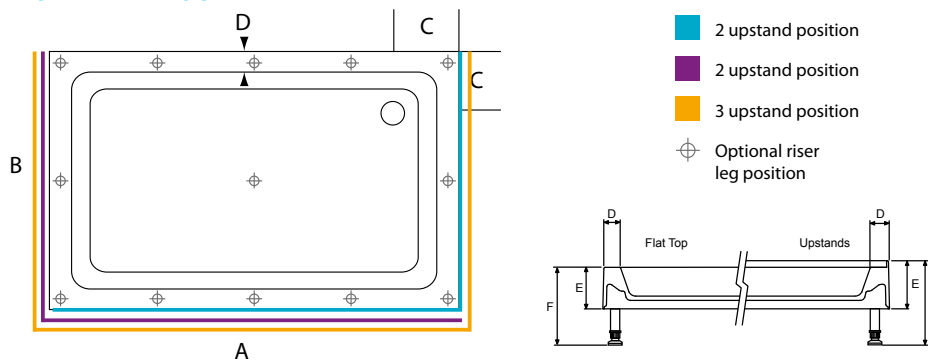
SQUARE



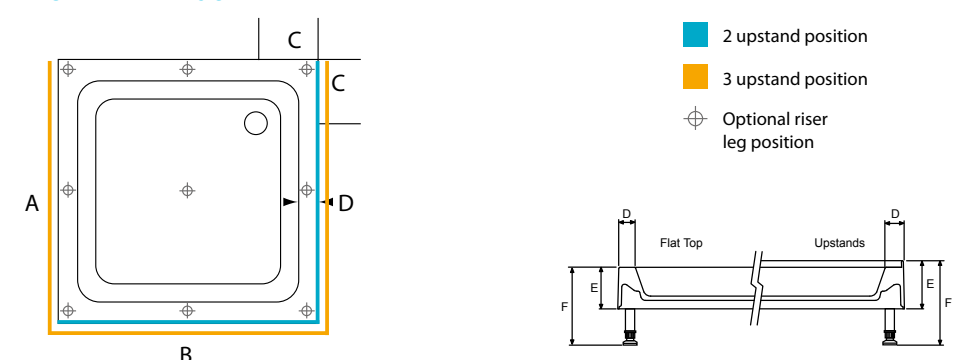
Size (mm)	Upstands	Availability		
		Product Code	Adjustable Height Riser Conversion Kit Product Code	New Riser Conversion Kit Product Code
760	0	1.1783.001.WH	1.1570.138.WH	1.1783.100.WH
760	2	1.1783.002.WH	1.1570.138.WH	1.1783.100.WH
760	3	1.1783.003.WH	1.1570.138.WH	1.1783.100.WH
760	4	1.1783.004.WH	1.1570.138.WH	1.1783.100.WH
800	0	1.1783.005.WH	1.1570.138.WH	1.1783.101.WH
800	2	1.1783.006.WH	1.1570.138.WH	1.1783.101.WH
800	3	1.1783.007.WH	1.1570.138.WH	1.1783.101.WH
800	4	1.1783.008.WH	1.1570.138.WH	1.1783.101.WH
900	0	1.1783.012.WH	1.1570.138.WH	1.1783.101.WH
900	2	1.1783.013.WH	1.1570.138.WH	1.1783.101.WH
900	3	1.1783.014.WH	1.1570.138.WH	1.1783.101.WH
900	4	1.1783.015.WH	1.1570.138.WH	1.1783.101.WH

Dimensions (mm)													
Flat Top							Upstands						
A	B	C	D	E	F (Adj)	F (New)	A	B	C	D	E	F (Adj)	F (New)
760	760	160	55	90	210-240	190	770	770	165	60	112	232-262	212
800	800	160	55	90	210-240	190	810	810	165	60	112	232-262	212
900	900	160	55	90	210-240	190	910	910	165	60	112	232-262	212

TECH DRAWINGS



TECH DRAWINGS



HAVE YOU DISCOVERED OUR GREAT RANGE OF MIRA FLIGHT LOW TRAYS?

IF NOT, YOU'RE GOING TO LOVE THEM!



Made from durable acrylic resin stone, these trays aren't just super tough and light, they're also one of the lowest trays on the market. At just 40mm, as opposed to the standard 90mm height, they're ideal for creating a minimal 'wet room' look for your customers.

Flight Low Trays are lighter than comparable acrylic capped resin stone trays, making life easier for you. And they're easier to fit. An optional riser conversion kit is available for solid floors, which comes with simple push fit legs. So upgrading to a riser tray is simple. The legs and panels are especially designed to keep the low profile look. Our trays are also chip, scratch and stain resistant. So if you accidentally drop your spanner or screwdriver you can be sure the tray will stay in one piece.

For your customer's peace of mind our trays also include BioCote® protection. BioCote® is an antibacterial agent based on silver ion technology. It provides protection against the build-up of mould and bacteria, reducing it by an amazing 99%. We put BioCote® directly into the tray when we make it, so it will never wear off or wash away. It's there for life. So you'll have a happy customer.

Flight Low Trays are available in a choice of 4 shapes and 32 different sizes. So you can be confident we'll have a tray to meet your needs. All trays come with a 10 year guarantee for peace of mind, and are supported by our industry leading customer services team.

TO SEE HOW EASY IT IS TO INSTALL A MIRA FLIGHT TRAY, CHECK OUT OUR VIDEO ONLINE: WWW.MIRASHOWERS.CO.UK (WWW.MIRASHOWERS.IE) OR SEE THE OPPOSITE PAGE FOR STEP-BY-STEP INSTRUCTIONS



- 1 After unpacking the tray, lift the blue protection sheet, check for damage and that all parts are present and correct.
- 2 Temporarily fit the tray waste and measure the projection.
- 3 Fit the riser legs – a rubber mallet will assist the correct insertion.
- 4 Using the projection dimension measured earlier, ensure that the riser legs are adjusted so that the waste is clear of the floor.
- 5 Place the tray, having pre-fitted the bottom part of the waste fitting to the pipework. Ensure the tray is level. This installer has re-fitted the blue protective film. We would also recommend putting down some additional protective coverings, such as a dust sheet, to protect the tray from damage from falling objects.
- 6 Run a bead of sealant first between the tray and wall surface to seal against leaks.
- 7 Cut the side panels to length, and follow the instructions on how to fix the panels.
- 8 Apply a bead of sealant along the top edge.
- 9 Fit the tiles, leaving a gap between the tray and tiles.
- 10 Run a bead of sealant between the bottom of the tile and tray ensuring it penetrates and fills the gap. This secondary seal is important.
- 11 When the sealant has gone off (typically 25 hours) the blue tray protection sheet can be removed.
- 12 When the top part of the waste has been fitted, the tray can be cleaned. Leave the protective film in place if an enclosure is being fitted.

MIRA FLIGHT LOW TRAY

QUADRANT



Availability				
Length (mm)	Width (mm)	Height (mm)	Product Code	Riser Conversion Kit Product Code
800	800	40	1.1697.015	1.1697.035
900	900	40	1.1697.012	1.1697.035
1000	1000	40	1.1697.041	1.1697.267
1000 LH	800	40	1.1697.022	1.1697.037
1000 RH	800	40	1.1697.023	1.1697.037
1200 LH	900	40	1.1697.024	1.1697.037
1200 RH	900	40	1.1697.025	1.1697.037

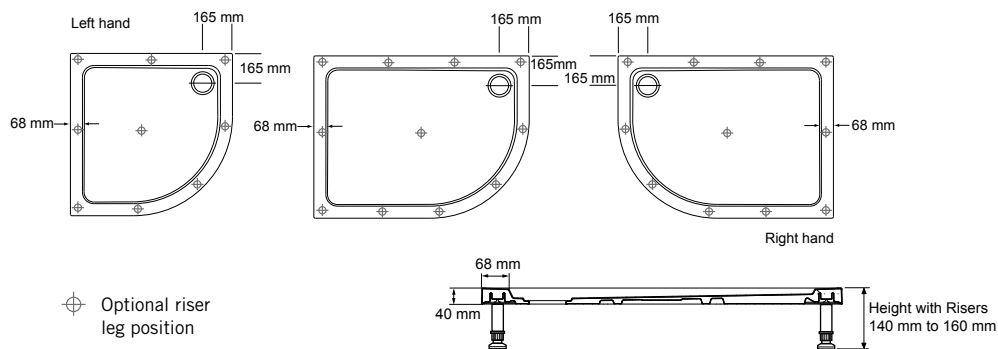
MIRA FLIGHT LOW TRAY

PENTAGON

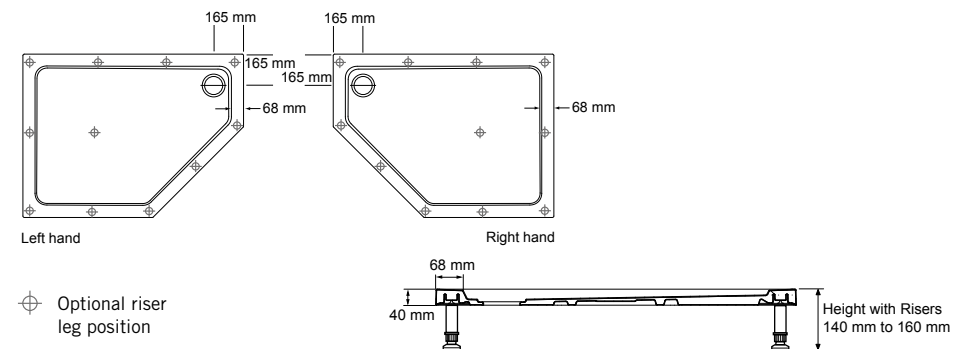


Availability				
Length (mm)	Width (mm)	Height (mm)	Product Code	Riser Conversion Kit Product Code
900	900	40	1.1697.016	1.1697.036
1200 LH	900	40	1.1697.026	1.1697.036
1200 RH	900	40	1.1697.027	1.1697.036

TECH DRAWINGS



TECH DRAWINGS



MIRA FLIGHT LOW TRAY

RECTANGLE



Availability				
Length (mm)	Width (mm)	Height (mm)	Product Code	Riser Conversion Kit Product Code
900	760	40	1.1697.017	1.1697.030
1000	700	40	1.1697.045	1.1697.033
1000	760	40	1.1697.008	1.1697.033
1000	800	40	1.1697.007	1.1697.033
1100	800	40	1.1697.013	1.1697.033
1200	700	40	1.1697.046	1.1697.033
1200	760	40	1.1697.006	1.1697.033
1200	800	40	1.1697.005	1.1697.033
1200	900	40	1.1697.018	1.1697.033
1400	700	40	1.1697.047	1.1697.034
1400	760	40	1.1697.004	1.1697.034
1400	800	40	1.1697.019	1.1697.034
1400	900	40	1.1697.042	1.1697.034
1500	700	40	1.1697.048	1.1697.034
1500	760	40	1.1697.003	1.1697.034
1600	700	40	1.1697.020	1.1697.034
1600	760	40	1.1697.002	1.1697.034
1600	900	40	1.1697.043	1.1697.034
1700	700	40	1.1697.021	1.1697.034
1700	760	40	1.1697.001	1.1697.034
1700	900	40	1.1697.044	1.1697.034

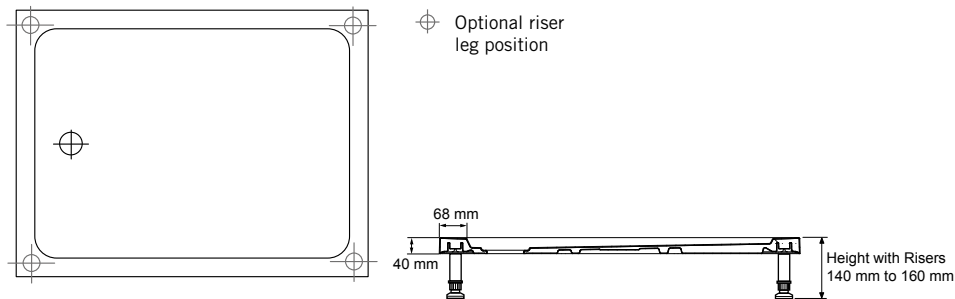
MIRA FLIGHT LOW TRAY

SQUARE

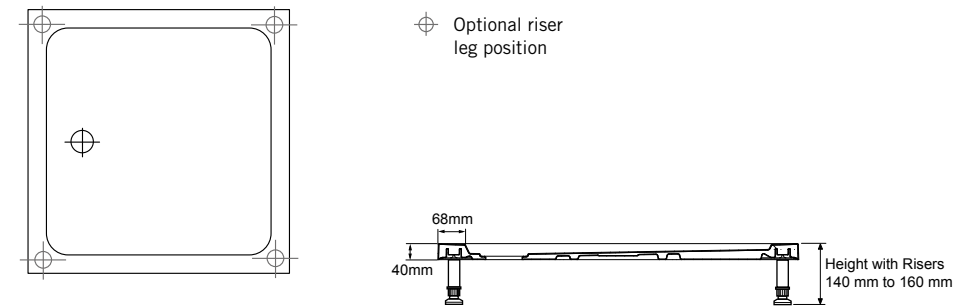


Availability				
Length (mm)	Width (mm)	Height (mm)	Product Code	Riser Conversion Kit Product Code
760	760	40	1.1697.014	1.1697.030
800	800	40	1.1697.010	1.1697.030
900	900	40	1.1697.009	1.1697.030
1000	1000	40	1.1697.040	1.1697.033

TECH DRAWINGS



TECH DRAWINGS



MIRA FLIGHT TRAY ACCESSORIES

RISER CONVERSION KIT

Description	Availability		
	Adjustable Height Riser Conversion Kit Product Code	Riser Conversion Kit Product Code	Number of Legs
Mira Flight 760 square riser conversion kit	1.1570.138.WH	1.1783.100.WH	5
Mira Flight 900 square riser conversion kit	1.1570.130.WH	1.1783.101.WH	5
Mira Flight 1200 rectangle riser conversion kit	1.1570.131.WH	1.1783.104.WH	7
Mira Flight 1700 rectangle riser conversion kit	1.1570.642.WH	1.1783.107.WH	7
Mira Flight 900 pentagon riser conversion kit	1.1570.132.WH	1.1783.106.WH	7
Mira Flight 1200 pentagon riser conversion kit	1.1570.751.WH	1.1783.106.WH	7-9
Mira Flight 900 quadrant riser conversion kit	1.1570.753.WH	1.1783.102.WH	7
Mira Flight 1200 pentagon riser conversion kit	1.1570.750.WH	1.1783.105.WH	7
Low Tray			
Mira Flight low 900 square riser conversion kit	1.1697.030	n/a	9
Mira Flight low 1200 rectangle riser conversion kit	1.1697.033	n/a	11
Mira Flight low 1700 rectangle riser conversion kit	1.1697.034	n/a	13
Mira Flight 900 quadrant riser conversion kit	1.1697.035	n/a	9
Mira Flight 1000 quadrant riser conversion kit	1.1697.267	n/a	9
Mira Flight low pentagon riser conversion kit	1.1697.036	n/a	9
Mira Flight low 1200 quadrant riser conversion kit	1.1697.037	n/a	11

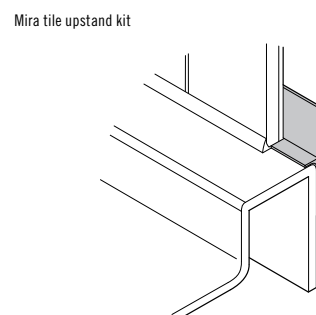
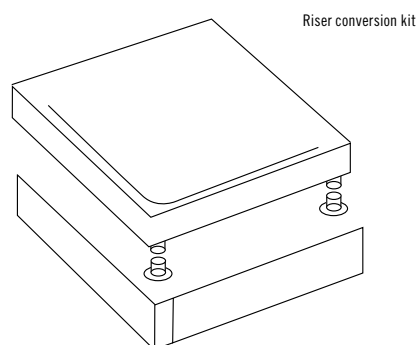
MIRA TILE UPSTAND KIT

Description	Availability	
	Part Number	Length
Mira tile upstand kit	1.1697.240	3.6m

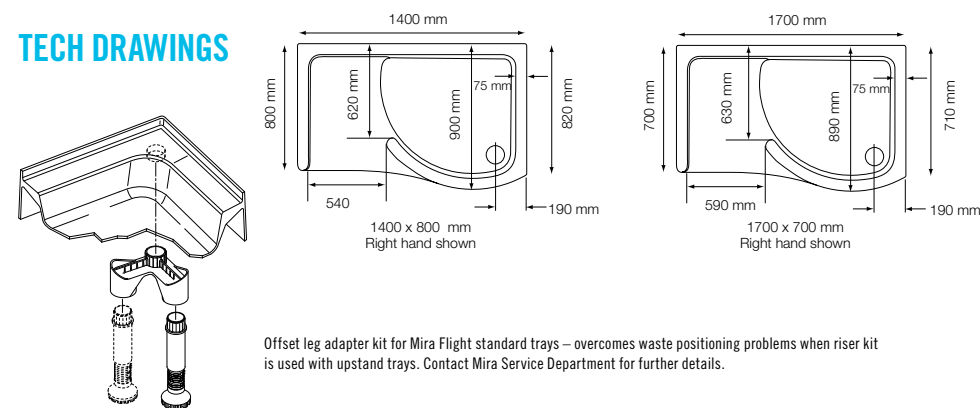
WALK-IN TRAYS

Description	Availability				
	Part Number	Length (mm)	Width (mm)	Height (mm)	Riser Conversion Kit Product Code
1400 x 800 LH	400825	1400	800	80	107404
1400 x 800 RH	400826	1400	800	80	107404
1700 x 700 LH	400821	1700	700	80	107403
1700 x 700 RH	400822	1700	700	80	107403
Walk-in riser conversion kit					Part Number
Mira Flight 1400 x 800 walk-in riser conversion kit					107404
Mira Flight 1700 x 700 walk-in riser conversion kit 1700 x 700 RH					107403

TECH DRAWINGS



TECH DRAWINGS



MIRA FLIGHT WALL PANELS



WHY WASTE TIME TILING WHEN A MIRA PANEL CAN DO ALL THE HARD WORK FOR YOU?

UNLIKE TILING, WALL PANELS GO UP IN LARGE SINGLE SHEETS, WHICH ARE A CINCH TO INSTALL – JUST CUT THEM TO SIZE AND FIX THEM TO THE WALL WITH ADHESIVE BUT, BEST OF ALL, THERE'S NO GROUTING TO DO! THEY WON'T CHIP, STAIN OR SCRATCH AND THEY WORK PERFECTLY WITH OUR ENCLOSURES AND TRAYS. AND, ALL FLIGHT WALL PANELS COME WITH BIOCOTE® TECHNOLOGY THAT REDUCES MOULD AND BACTERIA BY UP TO 99.9%!



Made from strong acrylic-capped resin stone

Scratch, chip and discolouration resistant

Includes BioCote® to reduce bacteria and mould growth by up to 99.9%

Easy to install



To see how easy Mira Flight wall panels are to install scan this QR code



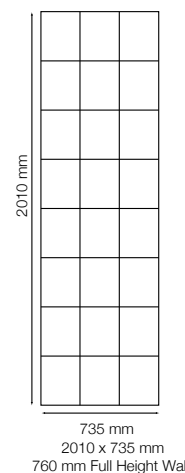
DIMENSIONS & TRAY COMPATIBILITY

DESCRIPTION	NOMINAL ENCLOSURE SIZE (mm)	WIDTH (mm)	HEIGHT (mm)	PRODUCT CODE
760 full height wall*	760	735	2010	1.1669.100
800 full height wall*	800	775	2010	1.1669.101
1200 full height wall*	900	1175	2010	1.1669.102
Basin splashback	n/a	600	250	1.1669.071
Bath splashback	n/a	2000	500	1.1669.072
Straight connector	n/a	n/a	n/a	1.1669.097
Corner connector	n/a	n/a	n/a	1.1669.085

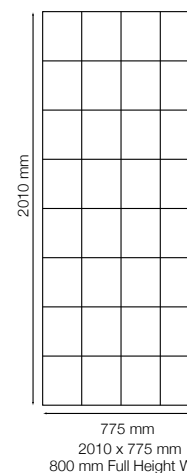
*Includes a corner joint

TECH DRAWINGS

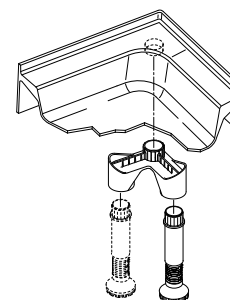
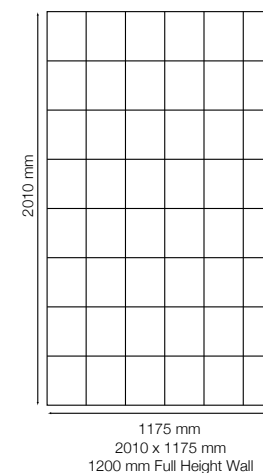
Suitable for 760 mm enclosure



Suitable for 800 mm enclosure



Suitable for 1200 mm enclosure



Off-set leg adapter kit for Mira Flight standard trays – overcomes waste positioning problems when riser kit is used with upstand trays. Contact Mira Service Department for further details.

