

DATA SHEET

Multipoint Eco

ELECTRIC UNVENTED STORAGE

The new range of Multipoint Eco unvented storage are the perfect solution for light commercial installations such as canteens, washrooms and commercial kitchens. Larger models can also be used for showering.

Completely remodelled and boasting a newly designed digital display for ease of use and utilising the latest technology, Multipoint Eco incorporates smart function controllability which recognises and self manages high and low demand periods to maximise energy savings - even when installed in applications utilising off peak tariffs.

Fitted with Heatrae Sadia's Legionella Control System, Multipoint Eco is at the forefront of safety too, guarding users against harmful bacteria.

The Multipoint Eco has a 15 year inner cylinder warranty and a full 2 year warranty on all other components, complete with on site service, offering total peace of mind. It is made in the UK from high quality Duplex stainless steel.



3 kW	30-100 litre	Horizontal and vertical	22 mm
OUTPUT	VARIANTS	ORIENTATION	CONNECTIONS

FEATURES

- Smart Thermostatic Control
- Legionella Control System
- Intuitive digital controls
- Full 15 year inner cylinder warranty and 2 years on all other components, complete with on site service
- Factory fitted T&P
- Universal bracket
- Made from high quality Duplex stainless steel

BENEFITS

- Improved energy efficiency
- Safe, ideal for high legionella risk installs
- Easy control and temperature reading at point of use
- Peace of mind after install
- Complete peace of mind
- Easy to install, less remedial work
- Very strong and lightweight

Multipoint Eco

ELECTRIC UNVENTED STORAGE

TECHNICAL SPECIFICATION

Product Code	7693971	7693979	7693980	7693981	7693982	7693983
Model	30 H 3kW	30 V 3kW	50 H 3kW	50 V 3kW	80 H 3kW	80 V 3kW
Weight (kg)	14	14	21	21	26	26
Capacity (litres)	30	30	50	50	80	80
Rating (kW)	3	3	3	3	3	3
Rating (V)	230	230	230	230	230	230
Heat Up Time (mins)	29	37	51	65	74	115
Recovery Time (mins)	21	26	36	46	52	81
Mixed Water at 40°C V40 (litres)	51	51	80	80	98	132
Max Inlet Pressure to PRV (bar)	16	16	16	16	16	16
Max Operating Pressure (bar)	10	10	10	10	10	10
Operating Pressure of PRV (bar)	3.5	3.5	3.5	3.5	3.5	3.5
Tested Pressure (bar)	12	12	12	12	16	16
Connection Type	Compression	Compression	Compression	Compression	Compression	Compression
Connection Size (mm)	22	22	22	22	22	22
Connection Location	Left Hand Side	Bottom	Left Hand Side	Bottom	Left Hand Side	Bottom
ErP Rating	A	A	B	B	B	B
Heat Loss (kWh/24h)	0.68	0.48	0.90	0.69	1.13	0.82
Insulation Thickness (mm)	25	25	25	25	35	35
Insulation Material (Envirofoam)	565RF	565RF	565RF	565RF	565RF	565RF
IPX Rating	IPX4	IPX4	IPX4	IPX4	IPX4	IPX4
Inner Container Material (Stainless Steel)	Duplex 2101	Duplex 2101	Duplex 2101	Duplex 2101	Duplex 2101	Duplex 2101

DIMENSIONS

Model	30 H 3kW	30 V 3kW	50 H 3kW	50 V 3kW	80 H 3kW	80 V 3kW
A Height (mm)	371	722	371	1007	454	1066
B Width (mm)	712	371	997	371	1038	454
C Depth (mm)	357	357	357	357	456	456

COMPONENTS

The following components are supplied as standard with Multipoint Eco.

Immersion

Factory fitted immersion heater and thermal controls.
Long-life superloy 800 alloy sheathed element(s).

Cold water

Cold water inlet control kit comprising of 0.35MPa (3.5 bar) pressure reducing valve
0.6MPa (6 bar) pressure relief valve (BS EN 1567, BS EN1491, EN 13959), nuts and olives,
non-return valve and expansion vessel 8 litre (30 - 50L), 12 litre (80 - 100L)

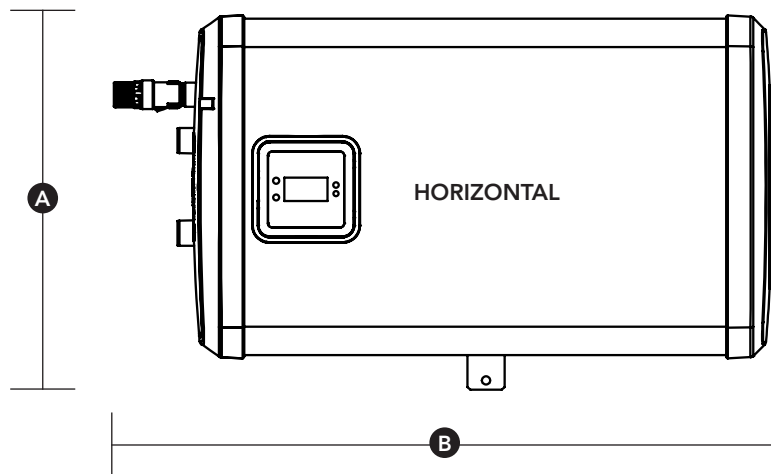
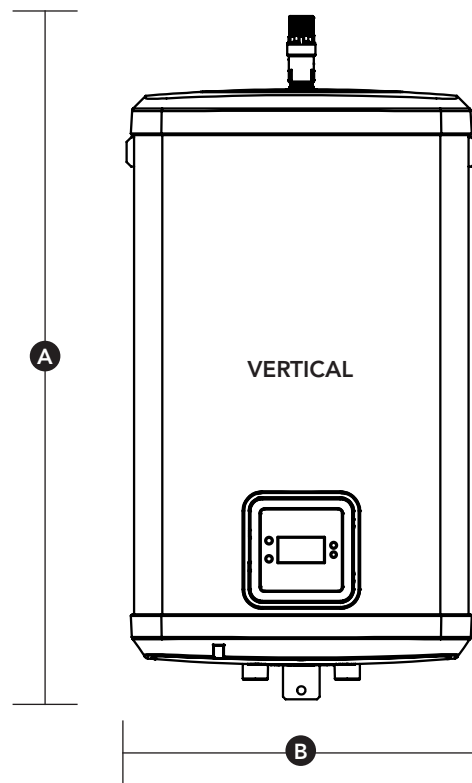
Safety

Factory fitted temperature and pressure relief valve set at
90°C / 1 Mpa (10 bar) (BS EN 1490) inc. T&P valve insulation kit
15/22mm Tundish

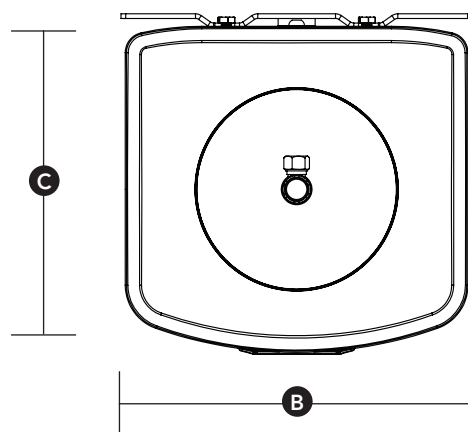
7694024	7694025
100 H 3kW	100 V 3kW
30	30
100	100
3	3
230	230
98	125
69	88
140	162
16	16
10	10
3.5	3.5
16	16
Compression	Compression
22	22
Left Hand Side	Bottom
B	B
1.17	0.93
35	35
565RF	565RF
IPX4	IPX4
Duplex 2101	Duplex 2101

100 H 3kW	100 V 3kW
454	1234
1207	454
456	456

FRONT VIEW



TOP VIEW





DATA SHEET

Multipoint Eco

ELECTRIC UNVENTED STORAGE

CODES OF PRACTICE/LEGISLATION

EU Directives:

- Energy Labelling of Water Heaters Directive 2010/30/EU
- Eco Design for Water Heaters Directive 2009/125/EU
- Low Voltage Directive 2014/35/EU
- Electromagnetic Compatibility (EMC) Directive 2014/30/EU

Legislation:

- Building Regulations Part G and Part L (England and Wales)
- Scottish Building Standards Section 4 and Section 6
- Building Regulations (Northern Ireland) Parts F1 and F2 and Part P
- Water Supply (Water Fittings) Regulations (England and Wales)
- The Water Byelaws 2004 (Scotland)
- Water Supply (Water Fittings) Regulations (Northern Ireland)

Standards:

- Relevant clauses of the following standards are complied with:
- EN 60379 Specification for measuring the performance of electric storage water heater
 - EN 60335-2-21 Safety Particular requirements for storage water heaters

The steel materials used comply with the relevant clauses of:

- BS EN 10088-2 : Technical delivery conditions for sheet/plate and strip of corrosion resisting steels for general purposes.
- BS EN 1449-2 : Specification for stainless and heat-resisting steel plate, sheet and strip
- BS EN 10130 : Cold rolled low carbon steel flat products for cold forming. Technical delivery conditions

Components supplied comply with the following standards:

- BS EN 60730-1 Automatic Electrical Controls – For households and similar use part 1: General Requirements
- BS EN 60730-8 Automatic Electrical Controls – Particular requirements for Electrically Operated Water Valves

The use of these water heaters will aid in compliance with:

- Health and safety Executive Approved Code of Practice L8: The control of legionella bacteria in water systems
- BS EN 806 Parts 1 to 5: Specification for installations inside buildings conveying water for human consumption
- BS 8558 Guide to the design, installation, testing and maintenance of services supplying water for domestic use within buildings
- Chartered Institute of Building Services Engineers Guide B and Guide F

Manufactured in a factory approved to:

- BS EN ISO 9001
- OHSAS 18001
- ISO 14001



For more information
01603 420220 | enquiries@heatraesadia.com
www.heatraesadia.com



Please recycle this document once you have finished with it

Issue 1
© Heatrae Sadia 2018

Heatrae Sadia, Hurricane Way, Norfolk, NR6 6EA

Heatrae Sadia may introduce modifications to their products from time to time. Consequentially the details given in this data sheet are subject to alteration without notice.