

Product Data Sheet - 112055 / DDGR-B



Trombone hinged support rail



Product Detail:

- Area of Use – Suitable for dryer areas
- Material – Steel
- Colour and finish options – see below
- Max test load – 171 kg
- Max rated load – 114 kg
- Compliance – Doc M / BS8300
- Warranty – 1 year *

Available colours/finishes

WH	DB	EB	GY	DG
White RAL9016	Dark Blue RAL5011	Electric Blue RAL5002	Grey RAL7005	Dark Grey RAL7016

Suggested Building Application:

- Public Amenity
- Hospital
- Nursing Home
- Care Home

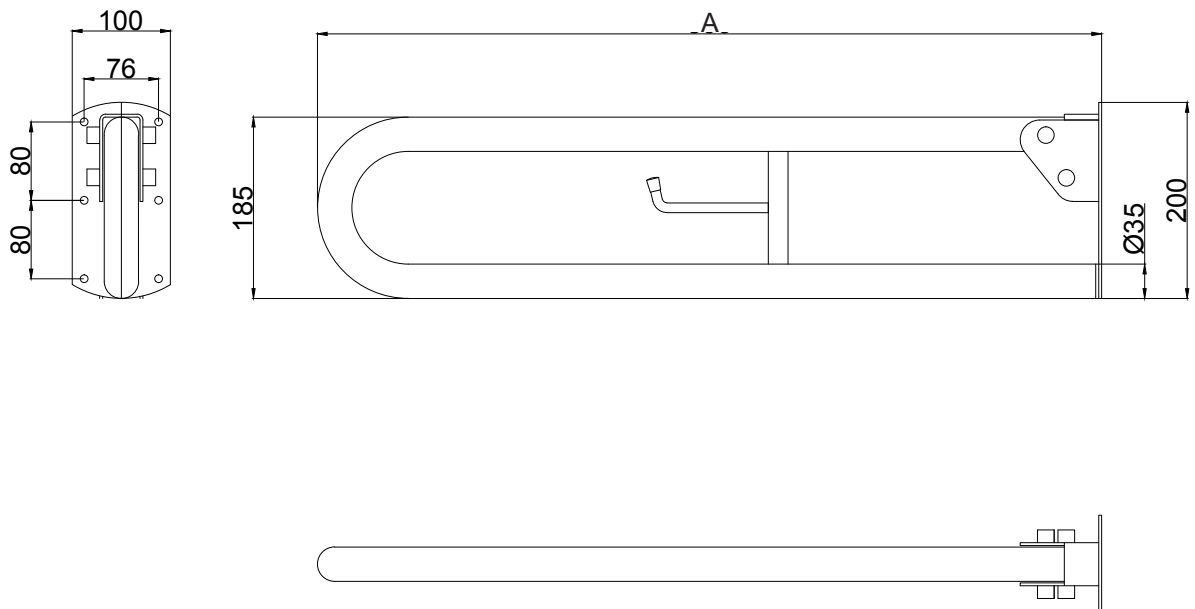
Special Product Notes:

- Hinged rails can be coated to any specified RAL colour. For a list of available RAL colours, please consult www.ralcolor.com
- Lift and lock hinged mechanism

* Terms & Conditions apply - www.nymas.co.uk/about/warranties
 Please note: Nymas pursues a policy of continuing improvement in design and performance of its products and so reserves the right to change specifications without prior notice. The information contained on this page was correct at date of issue and dimensions are provided as a guide only. Some variation may occur due to manufacturing tolerances.

Trombone hinged support rail - 112055 / DDGR-B

Product Dimensions



Order Code	Size (A)
112055	550 mm
DDGR-B	800 mm