

## Rail only Doc M toilet pack with concealed fixing stainless steel grab rails



### Product details

<b>Warranty:</b>	See individual products
<b>Max rated load:</b>	See individual products
<b>Doc M compliant:</b>	Yes
<b>Suitable for wet areas:</b>	Yes

### Features

- Complies with Part M of the Building Regulations
- Single one box solution
- All components are available as individual products
- Non-corrosive stainless steel products
- Concealed fixing grab rails

### Finish options



**WH**

White  
RAL 9016



**DB**

Dark blue  
RAL 5011



**DG**

Dark grey  
RAL 7016



**GY**

Grey  
RAL 7005



**SS**

Satin  
Stainless Steel



**SP**

Polished  
Stainless Steel

### Product description

Rail only Doc M toilet pack, stainless steel, concealed fixings

### Product code

230005/\*\*

Replace \*\* with finish option code above e.g., 230005/DB

### Pack contents

- 4 x 600mm Stainless steel grab rails with concealed fixings
- 1 x 450mm Stainless steel grab rail with concealed fixings
- 1 x 800mm Stainless steel hinged support rail

### Disclaimer

NYMAS Group makes every effort to ensure that the information provided on this data sheet is correct. However, we cannot guarantee this, and accept no liability for any information or advice given on this data sheet.

**Dimensions (mm)**

See individual products

## Stainless steel grab rail with concealed fixings, 35mm diameter tube



### Product details

<b>Warranty:</b>	5 years
<b>Max rated load:</b>	185 kg
<b>Doc M compliant:</b>	Yes
<b>Suitable for wet areas:</b>	Yes

### Features

- Non-corrosive stainless steel construction
- Durable powder coated finish
- Concealed fixing
- Non-standard colour options available

### Finish options



White  
RAL 9016



Dark blue  
RAL 5011



Dark grey  
RAL 7016



Grey  
RAL 7005

### Product description

Grab rail, stainless steel, concealed fixings, 35mm diameter, 300mm
Grab rail, stainless steel, concealed fixings, 35mm diameter, 450mm
Grab rail, stainless steel, concealed fixings, 35mm diameter, 600mm
Grab rail, stainless steel, concealed fixings, 35mm diameter, 900mm

### Product code

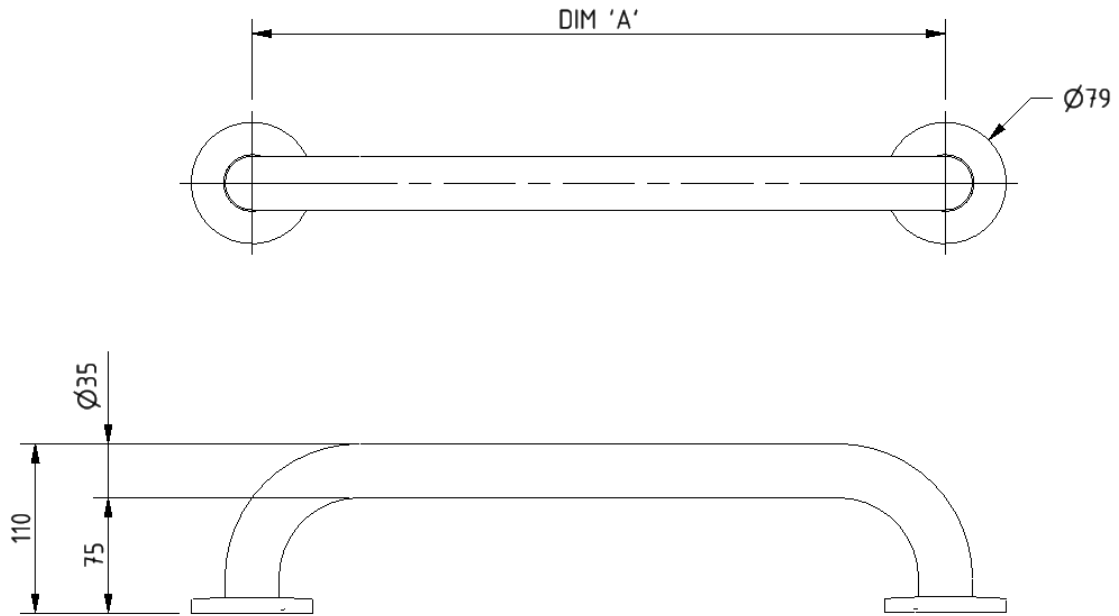
210130/**
210145/**
210160/**
210190/**

Replace \*\* with finish option code above e.g., 210160/DB

### Disclaimer

NYMAS Group makes every effort to ensure that the information provided on this data sheet is correct. However, we cannot guarantee this, and accept no liability for any information or advice given on this data sheet.

## Dimensions (mm)



PRODUCT CODE	210130/**	210145/**	210160/**	210190/**
DIM 'A'	300	450	600	900

## Stainless steel lift and lock hinged support rail



### Product details

Warranty:	5 years
Max rated load:	135 kg
Doc M compliant:	Yes
Suitable for wet areas:	Yes

### Features

- Complies with Part M of the Building Regulations
- Lift and lock folding mechanism
- Non-corrosive stainless steel construction
- Toilet roll holder (optional)

### Finish options



White  
RAL 9016



Dark blue  
RAL 5011



Dark grey  
RAL 7016



Grey  
RAL 7005



Satin  
Stainless Steel



Polished  
Stainless Steel

### Product description

Hinged lift and lock support rail, stainless steel, 650mm  
Hinged lift and lock support rail, stainless steel, 800mm,

### Product code

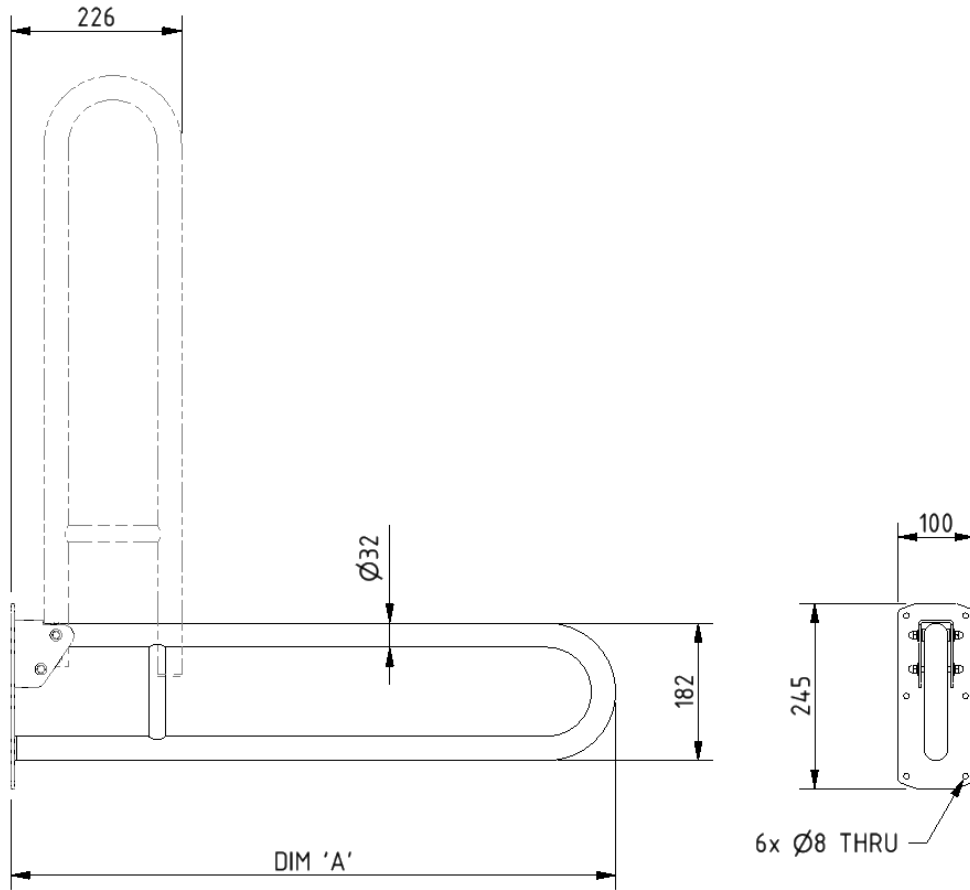
211865/\*\*  
211880/\*\*

Replace \*\* with finish option code above e.g., 211880/DB

### Disclaimer

NYMAS Group makes every effort to ensure that the information provided on this data sheet is correct. However, we cannot guarantee this, and accept no liability for any information or advice given on this data sheet.

## Dimensions (mm)



PRODUCT CODE	211865/**	211880/**
DIM 'A'	650	800