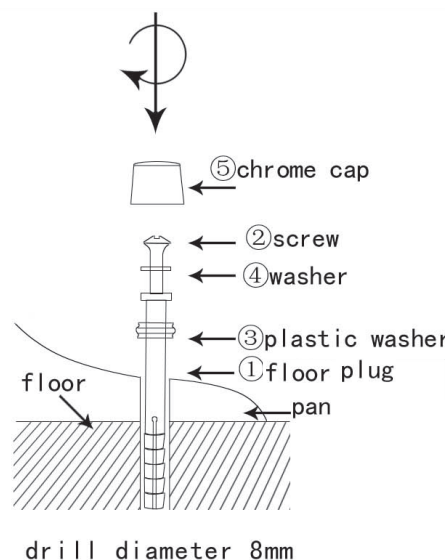


Please note: Image is for illustrative purposes only and may differ slightly to the actual product

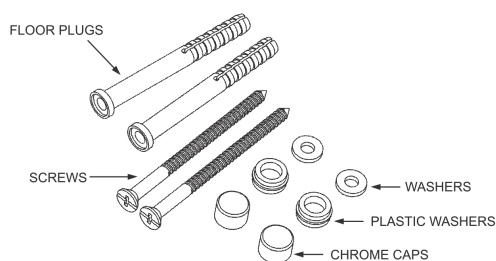
# Parts



## Toilet Pan

Floor fixing kit (below components)

1. 2 XFLOOR PLUGS 8 x72mm
2. 2XSCREWS 5 x80mm
3. 2 X PLASTIC WASHERS
4. 2 X WASHERS
5. 2 X CHROME CAPS



## Tools required

- Screwdriver
- Pencil
- Drill
- Spirit Level
- Drill Bit
- Hacksaw
- Spanner

# Installation

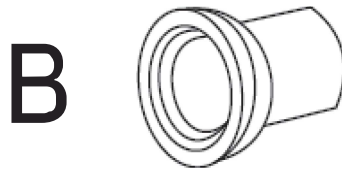
**Please note:** Before starting any installation, turn off the water supply

**Please note:** Whenever possible and when safe to do so, it is recommended to carry out leak tests during the installation process

## Preparing for Back to Wall Toilet Pan Fitting

A – Flush pipe is supplied with the concealed cistern assembly, (cistern sold separately).

B – Pan connector (waste pipe) may need to be purchased separately if a new installation.

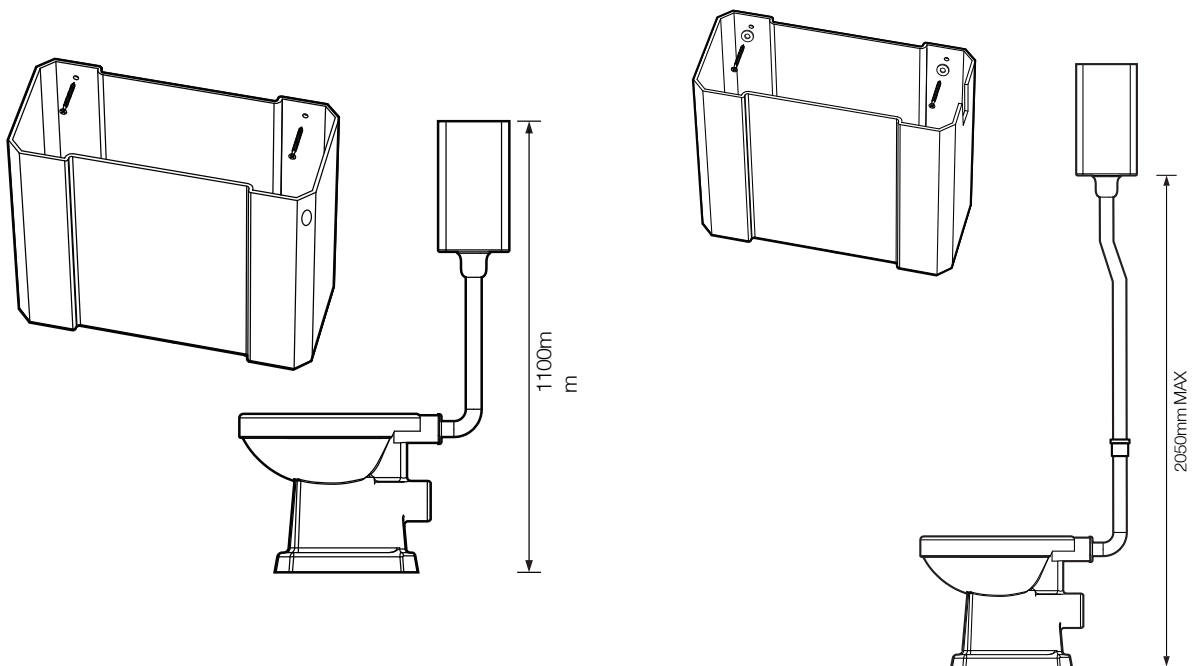


**Please note:** Pipes are not included.

Once you have received your toilet pan, this will allow you to prepare and install the cistern and WC unit (both sold separately). To install the cistern and WC unit, please use the instruction guides supplied with them.

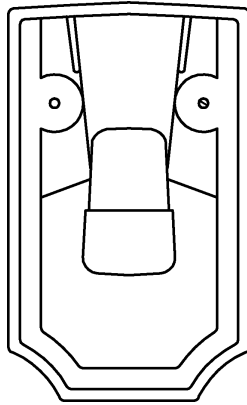
## This guide advises on installation of the back to wall toilet pan only.

Below example shows the assembly of a cistern and WC unit prior to fitting the back to wall toilet pan.



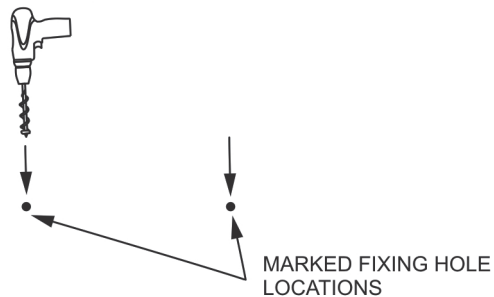
## Back to Wall Toilet Pan Fitting

1. Prepare the pipes as advised (cutting of the flush pipe and pan connector may be required).
2. Place the pan into position. Mark the two pan fixing hole locations, then remove the pan.

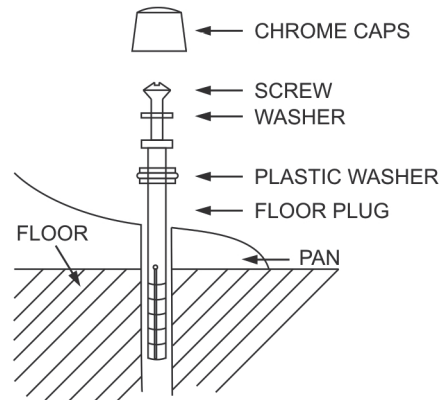


3. Drill holes using an appropriate drill bit. Apply wet areas silicone into the holes to help keep the floor waterproof.

DRILL HOLES TO CORRECT DEPTH  
USING AN APPROPRIATE DRILL BIT  
THAT SUITS YOUR FLOOR



- The floor plug should be inserted into the hole, then place the pan into position. Install the floor fixing kit as shown below. Take care not to damage the pan.



- Once the installation is completed, a small bead of silicone can be applied around the bottom edge of the toilet pan.

## Troubleshooting

### Flush volume into the pan, not sufficient

- Adjust the flush volume level on the syphon.
- Check that the syphon is opening correctly.
- If none of these resolve the issue replace the syphon.

### Water running into the pan continually after flushing

- Establish if the water level in the cistern is reaching the overflow on the syphon, if it does reach the overflow adjust the inlet valve.
- If this continues, replace the inlet valve
- If the water level does not reach the overflow on the syphon, remove the top section of the syphon and check the washer for damage.
- If the washer is damaged then replace.

## Maintenance

All of the maintenance measures resulting from troubleshooting above requires you to access the internals of the cistern tank and for the water supply to be turned off. Please refer to the instruction guide supplied with your cistern for further guidance.

**Please note:** Before carrying out any internal maintenance, turn off the water supply

## Cleaning

To maintain the surface finish of your product, wipe clean after every use, using a clean damp cloth, a mild detergent mixture can be used. Do not use abrasive cleaning agents or materials which can strip and scratch the surface; the use of these agents or materials can invalidate your guarantee.