

TECHNICAL DATA SHEET

Product Code: **168374**

Product Description: Plumbright 15mm Tube Support NTS15M



Product Specification

Dimensions: 26mm x 14.5mm x 14.5mm

Materials: Noryl

Standards: BS7291 1,2-3

Approvals: WRAS, BSI

Additional Information

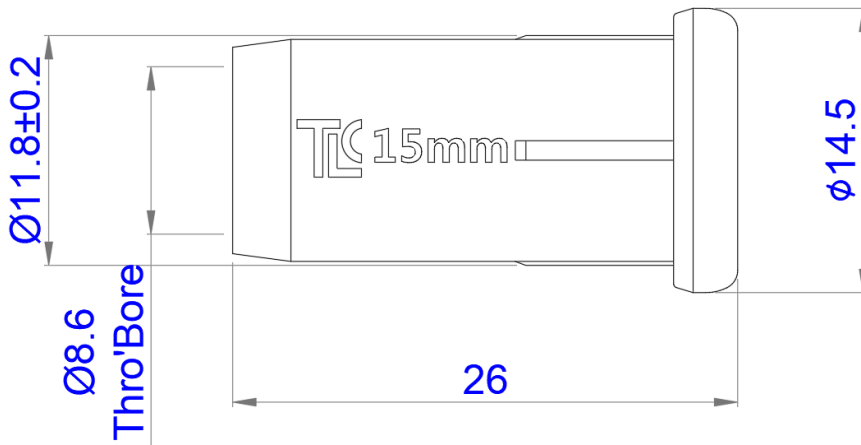
- Provides internal support and shape retention of the pipe during push-fit or compression connection.
- Prevents deformation of the pipe when used in hot water and heating systems. Lightweight for easy handling.
- Ensures leak-free joints and extends the service life of the connection. Strong connection suitable for heating systems.
- Lead free, non-toxic.
- Offers excellent corrosion and chemical resistance; non-metallic structure prevents corrosion and mineral build-up. Low heat diffusion ensures safe surface temperature.

The information contained within this specification sheet is believed to be correct and complete at the time of creation. All photographs / drawings are as a guide only and do not necessarily represent the products available. The Highbourne Group reserves the right to change product details and price without prior notice.

TECHNICAL DATA SHEET

Before installation, inspect the pipe. Ensure there are no scratches, gouges or any form of damage or deformation on the pipe. It should also be free from dirt and grease that may affect the seal.

After product installation, be sure to inspect for any possible leaks.



Guarantee: This product is guaranteed for 50 years.

EU GPSR Single Point of Contact: product.compliance@highbournegroup.co.uk