

TECHNICAL DATA SHEET

Product Code: **168334**

Product Description: Plumbright 22mm x 22mm Straight SPU6744M



Product Specification

Dimensions: 77.5mm x 40mm x 40mm

Materials: X-linked Polyethylene

Standards: BS7291 1,2-3

Approvals: WRAS, BSI

Additional Information

- Simple and Easy to install. Twist and Lock push fittings
- A secure connection indicator helps confirm leak-free joints. Strong Gripping Strength
- Easy verification of coupling (lock/unlock) status, even from a distance. No tools required
- Lightweight for easy handling.
- Removable and reusable without damage to plumbing or fittings.
- Strong connection suitable for heating systems.
- Product traceability code printed on the product to track manufacturing quality control.
- Flame-free, do not use a blowtorch.
- No corrosion or mineral build-up.

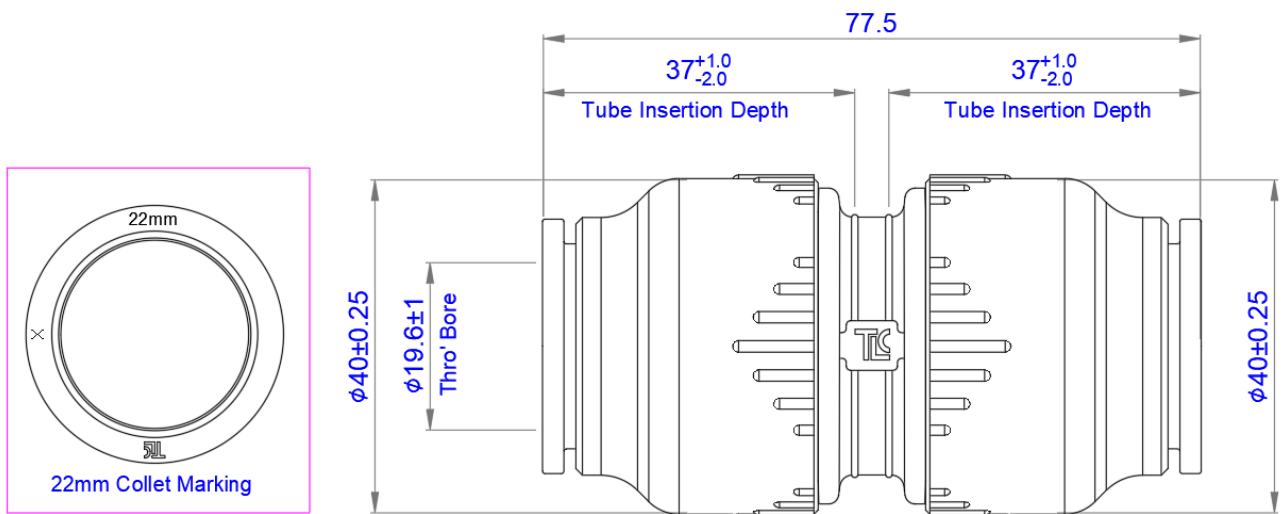
The information contained within this specification sheet is believed to be correct and complete at the time of creation. All photographs / drawings are as a guide only and do not necessarily represent the products available. The Highbourne Group reserves the right to change product details and price without prior notice.

TECHNICAL DATA SHEET

- Low heat diffusion ensures safe surface temperature.
- More resistant to bursting under freezing temperatures.
- Lead free, non-toxic.

Before installation, inspect the pipe. Ensure there are no scratches, gouges or any form of damage or deformation on the pipe. It should also be free from dirt and grease that may affect the seal.

After product installation, be sure to inspect for any possible leaks.



Guarantee: This product is guaranteed for 50 years.

EU GPSR Single Point of Contact: product.compliance@highbournegroup.co.uk