



PF222MZV Motorised Zone Valve

INSTALLATION INSTRUCTIONS

APPLICATION

Designed to control the flow of water in a small bore domestic central heating system where both radiator and hot water cylinder circulation are pumped.

SPECIFICATIONS

Voltage: 230 V ~ 50 Hz

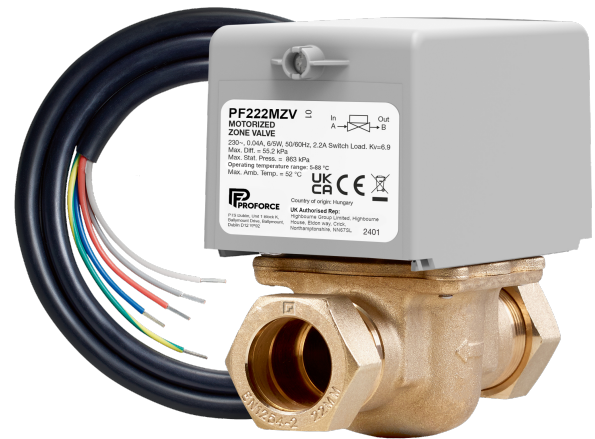
Power Consumption: 6W

Lead Supplied: 1 metre, 5 core

Operating Temperature Range: +5 to +88° C

Maximum Ambient Temperature: +52° C

Pipe Fitting Sizes: 22 mm compression



INSTALLATION

Before fitting the valve, read through the plumbing and wiring instructions.

This product MUST be installed by a competent person. The installation MUST conform to I.E.T. Regulations and with The Electricity at Work Regulations. A Class 'A' switch (having contact separation of at least 3 mm in all poles) must be incorporated in the fixed wiring as a means of disconnecting the supply. The system must be appropriately fused.

PLUMBING

The valve may be plumbed in at any angle but must not be mounted so that the valve head is below the horizontal level of the pipework. In the unlikely event of a leak a safety hazard could result.

Do not grip the valve head while making and tightening up plumbing connections.

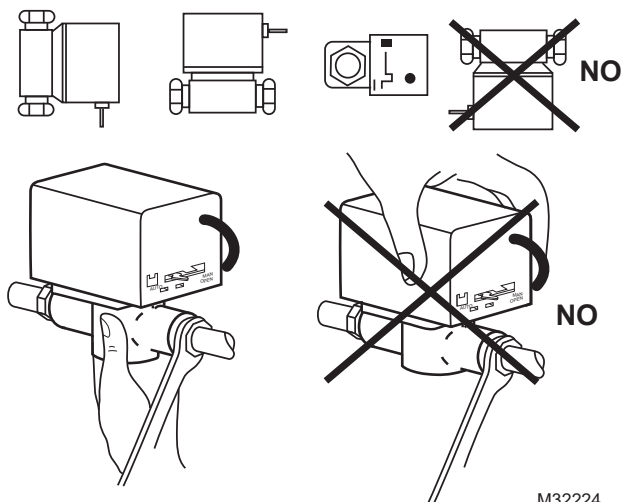
Attach a spanner (32mm or 1 1/4" AF) onto the valve body at each port, whilst tightening up the nuts. Tighten compression nuts enough to make a watertight seal.

TAKE CARE NOT TO OVERTIGHTEN.

The valve incorporates a manual lever, the lever should normally be in 'AUTO' position, but can be moved to 'MAN OPEN' position for system drain down and filling purposes only.

Before fitting the valve, read through the plumbing and wiring instructions. This product MUST be installed by a competent person. The installation MUST conform to I.E.T. Regulations and with The Electricity at Work Regulations.

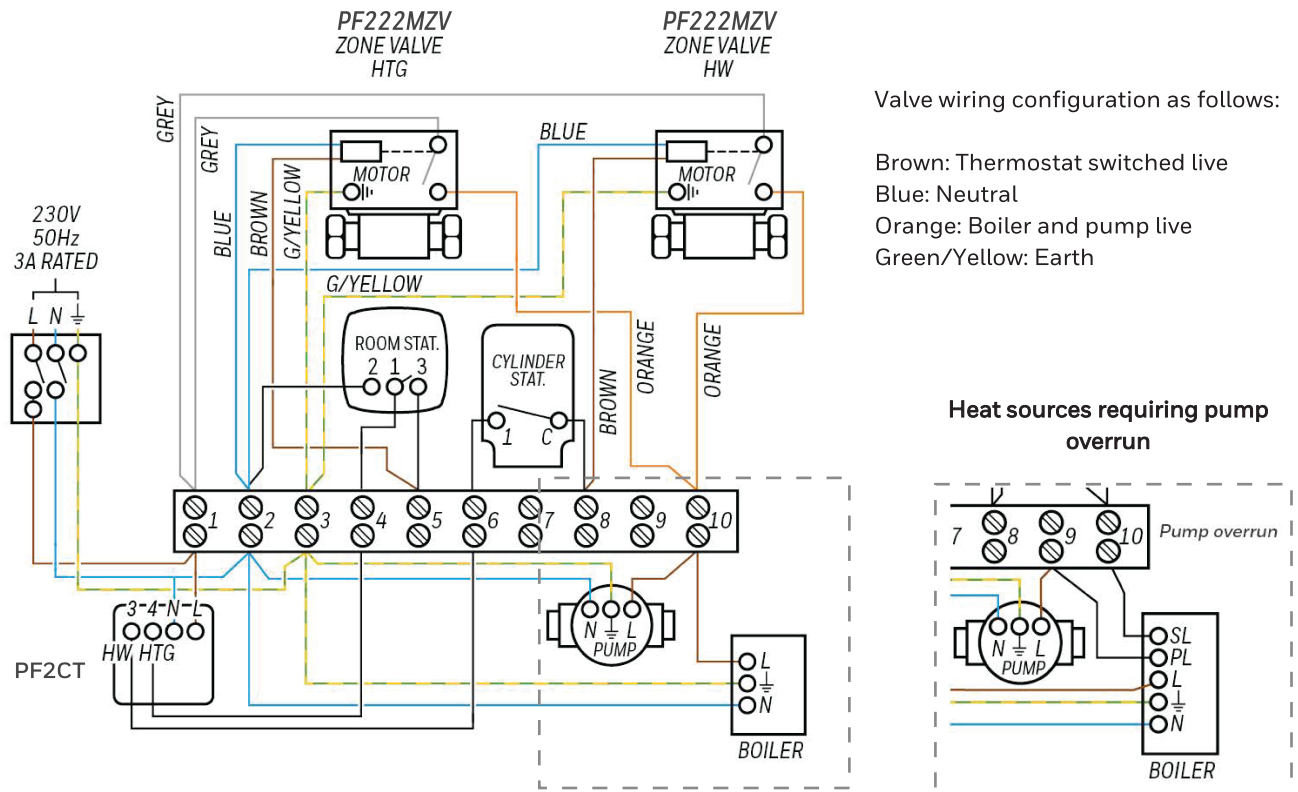
A Class 'A' switch (having contact separation of at least 3mm in all poles) must be incorporated in the fixed wiring as a means of disconnecting the supply. The system must be appropriately fused.



M32224

WIRING

Wiring diagram for S-Plan shows the relevant connections to a 10 way junction box. Ensure that each numbered, lettered or coloured wire is connected to the correct terminal in the junction box. Make sure that all connections are good and all terminal screws are firmly tightened.



CHECKOUT PROCEDURE

To ensure the valve is plumbed and wired correctly, carry out the following checks after filling the system and switching on the power:

- Check the manual lever is in 'AUTO' position.
 - Check programmer has power.
 - Check heat source is switched on and its thermostat set to maximum.
- Confirm correct hot water functions as follows:
 - Turn room thermostat to minimum setting or switch off at programmer.
 - Set cylinder thermostat to maximum and programmer to 'HOT WATER ON'.
 - The heat source should be switched on and pump should run. Feel pipe approximately 12" from hot water valve, it should get hot.
- Confirm correct heating functions as follows:
 - Turn cylinder thermostat to minimum or switch off at programmer.
 - Set room thermostat to maximum and programmer to 'CENTRAL HEATING ON'.
 - The heat source should be switched on and pump should run. Feel pipe approximately 12" from heating valve, it should get hot.

COMPLETION

Reset both thermostats to temperature required, normally 60° C for cylinder thermostat and 20° C for room thermostat. Return programmer to 'Auto' or mode selected by householder.

ENSURE THAT THE VALVE HEADS HAVE FREE AIR MOVEMENT AROUND THEM.

The wiring diagrams and installation instructions in this publication are provided for guidance purposes when installing recognised standard systems only. Any application of this product not shown here, or any deviation from these instructions, is neither recommended nor advised



EU Manufacturer:
PTS Dublin, Unit 1 Block K, Ballymount Drive,
Ballymount, Dublin D12 YP92

UK Authorised Rep:
Highbourne Group Limited, Highbourne House,
Eldon Way, Crick, Northamptonshire, NN6 7SL

PROFORCE is a registered trade mark of
City Plumbing Supplies Holdings Limited.
Registered in England & Wales.
Company no. 02489546
E: product.compliance@highbournegroup.co.uk



WEEE Directive 2012/19/EU
The product (and contained batteries) should not be disposed of with other household waste. Check for the nearest authorized collection centers or authorized recyclers. The correct disposal of end-of-life equipment will help prevent potential negative consequences for the environment and human health.