

# WIRELESS PROGRAMMABLE THERMOSTAT Installation Guide

## PFWFP (Room Thermostat / Relay Box)



32341898-028 A



The Thermostat and Relay Box in this pack are pre-bound.

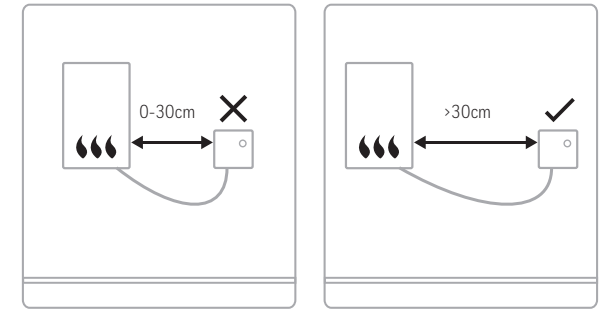
**Must be installed by a competent person.**

To ensure your safety make sure the mains power is switched OFF before accessing wiring.

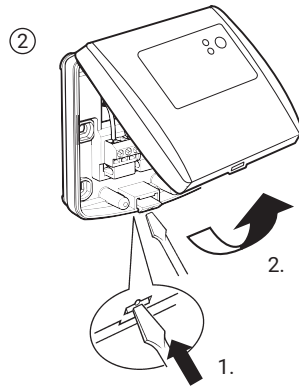
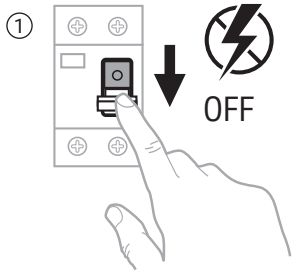
**To prevent a short circuit from a loose wire:**

- **Multi-core cables:** Only remove enough outer insulation to allow secure fixing of the cores into the terminal block.
- **Single core cables:** Secure them together with a cable tie as close as possible to the terminal block.

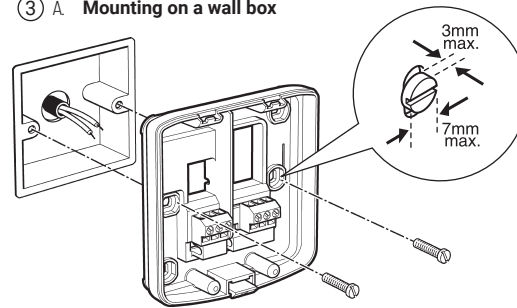
### 1 Choosing a suitable location for the Relay Box



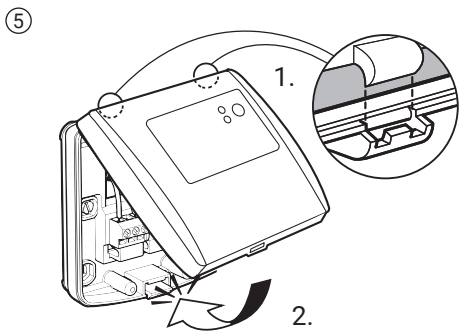
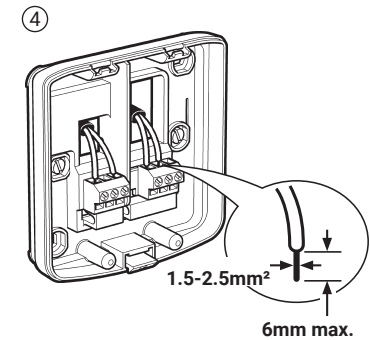
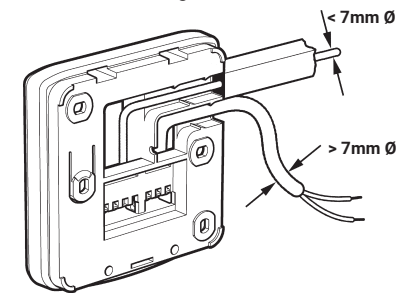
### 2 Installing the Relay Box



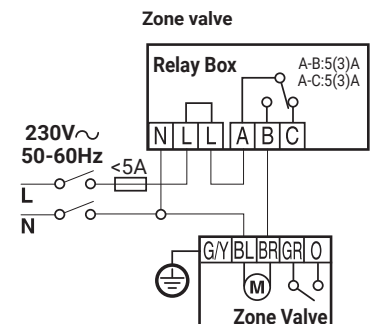
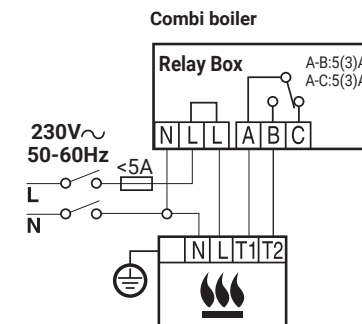
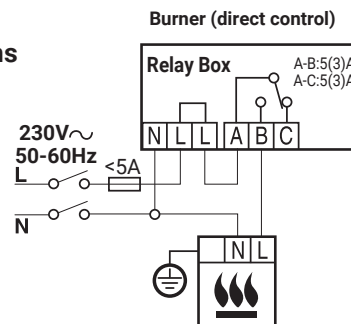
#### 3 A Mounting on a wall box



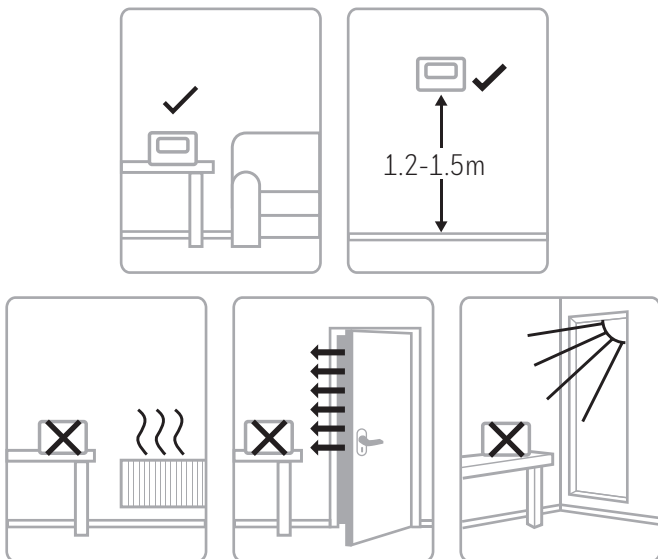
#### B. Surface mounting



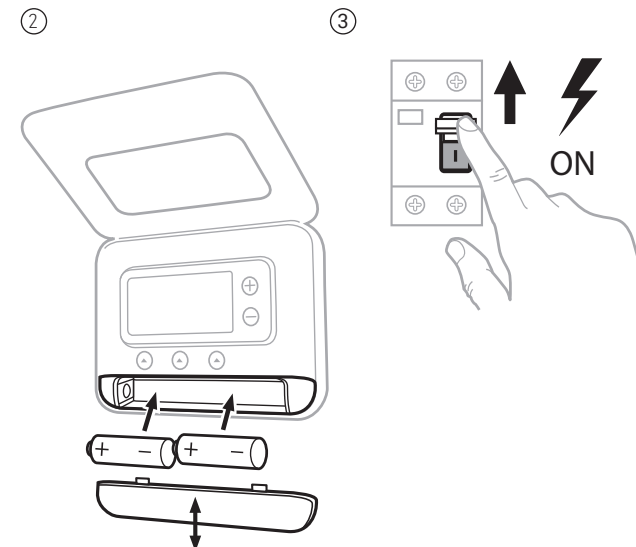
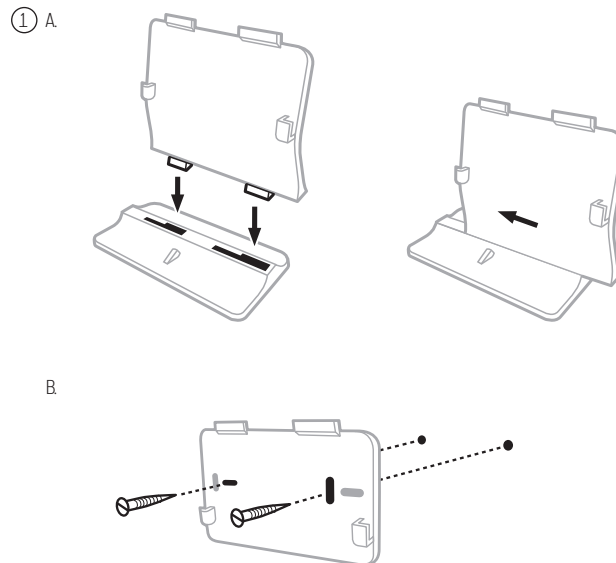
### 3 Wiring Diagrams



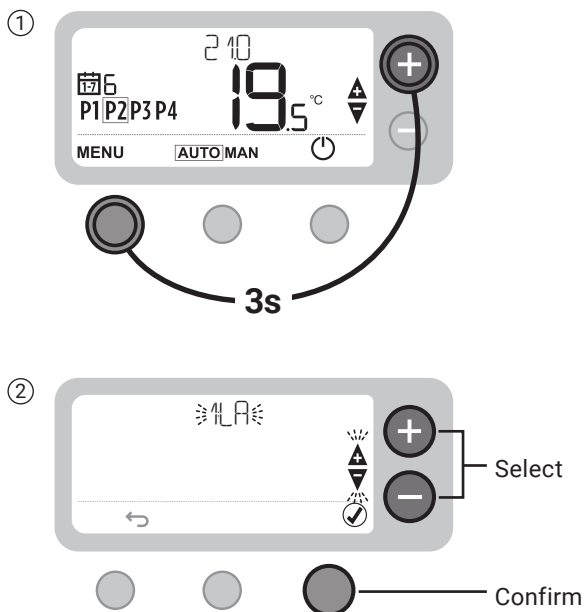
#### 4 Choosing a suitable location for the Thermostat



#### 5 Installing the Thermostat



#### 6 Adjusting the Thermostat Parameters



No	Description	Settings
3:OT	Min. On Time	1- 5min
4:LL	Lower Limit	5 - 21 °C
5:UL	Upper Limit	21 - 35 °C
9:LC	Fail Safe	0 = Disabled, 1 = Enabled
10:BL	Backlight	0 = Disabled, 1 = Enabled
11:CL	Clock	0 = 24h, 1 = 12h
12:DS	Daylight Saving	0 = Disabled, 1 = Enabled
13:TO	Temp. Offset	- 3 / + 3 °C
15:SD	Reset Schedule	0, 1 = Reset
16:FS	Factory Reset	0, 1 = Reset
17:OP	Optimum Start	0 = Disabled, 1 = Enabled
18:OS	Optimum Stop	0 = Disabled, 1 = Enabled

#### 7 Wireless Relay Box

The Thermostat communicates wirelessly to the Relay Box which is wired to the boiler. If the Thermostat loses wireless communication or becomes faulty, the boiler can be switched on or off manually using the button on the Relay Box.

- **•••** is displayed on the Thermostat when the wireless signal is good: The Relay Box **•••** LED will be solid GREEN.
- **△ + •••** will flash on the Thermostat when the wireless signal is lost: The Relay Box **•••** LED will flash RED.
- If communication is lost move the Thermostat to another location to try and restore communication.

##### To manually override the boiler using the Relay Box:

1. Press the button **once** to switch the boiler ON or OFF. The button LED should be:
  - Solid GREEN when the boiler is ON.
  - Off when the boiler is OFF.

