

TECHNICAL DATASHEET

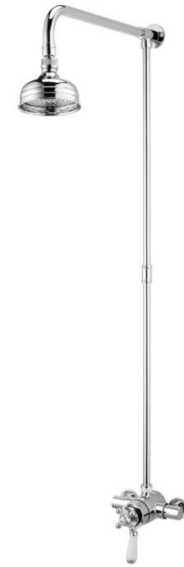


REGENCY

REGENCY THERMOSTATIC SURFACE MOUNTED DUAL CONTROL SHOWER VALVE WITH RIGID RISER

Product Specification

Product Code:	R2 SHXRR C
Finish:	Chrome
Product Type:	Traditional
Construction:	Body is of brass construction
Cartridge Type:	Thermostatic cartridge
Supply:	Suitable for all plumbing systems, preferably balanced
Inlet Connections:	15mm compression elbows
Outlet Connection:	G 1/2"
Water Pressure:	Min. 0.1 bar, Max. 5.0 bar
Dimensions for Fitting:	110-155mm inlet centres

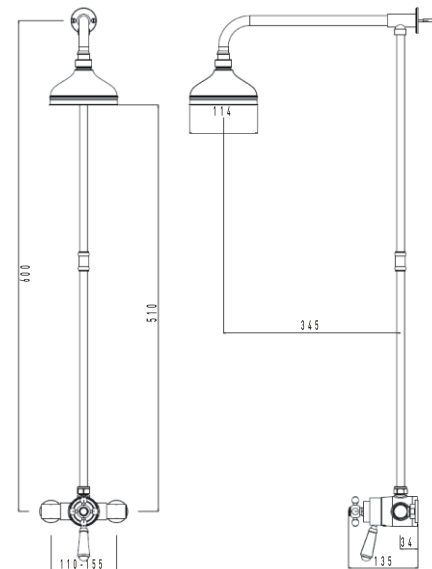


Additional Information

- Dual control – on/off and temperature are controlled separately giving accurate control of both.
- Thermostatic cartridge maintains showering temperature to +/- 1°C by compensating for changes in the incoming water temperature and pressure providing a stable outlet temperature.
- Automatic shut off in the event of hot or cold water supply failure, thus reducing the risk of injury.
- Factory set to a maximum of 43°C to eliminate the ability to select an unsafe temperature this can be adjusted to suit user preference.
- Swivel inlet elbows with 110-155mm centres, valves can be fed from top, bottom or rear
- Supplied with riser rail and 4" shower rose.
- Supplied with a longer pair of elbows to give maximum inlet centres of 155mm.
- Chrome plated to BS EN 248.

Technical Advice: For further information please call 0844 7016273 or email customer@bristan.com.

Guarantee: 5 years covering manufacturing faults.



Flow Rates (litres per minute, open outlet)

System Pressure	0.1bar	0.2bar	0.5bar	1bar	2bar	3bar	5bar
With flow regulators fitted	--	--	--	5.3	7.7	8.5	8.7
Without flow regulators fitted	5.4	7.9	13.9	--	--	--	--

