

## TENBY FIRE CLAY CERAMIC SINK

CTE8501WH/



### Size: 850 x 500 mm

Classically designed, the Tenby collection is available in single and 1.5 bowl options. The compact 850 x 500mm variant fits smaller 500mm cabinet sizes - ideal for smaller kitchen spaces.

Tenby is fully reversible, choose to install the drainer on the left-hand side or right-hand side at point of installation.

- Classic design with soft curved bowls
- Waste and plumbing kit included
- Reversible drainer

# RANGEMASTER

## SINKS & TAPS

Material	Fire clay Ceramic
Material Gauge	
Material Finish Bowl	White
Material Finish Drainer	White
Drainer Position	Reversible
Overall Length (mm)	850
Overall Width (mm)	500
Main Bowl Length (mm)	330
Main Bowl Width (mm)	370
Main Bowl Depth (mm)	215
Second Bowl Length (mm)	-
Second Bowl Width (mm)	-
Second Bowl Depth (mm)	-
Tap hole Size (mm)	
Waste Size (mm)	1 x 90
Waste Kit	Included with sink (1 x 90mm BSW + plumbing kit)
Min. Base Unit (mm)	500
Cutout Size Length (mm)	810
Cutout Size Width (mm)	460
Warranty Sinks (years)	10
Product Code	CTE8501WH/
Barcode	5015834052205

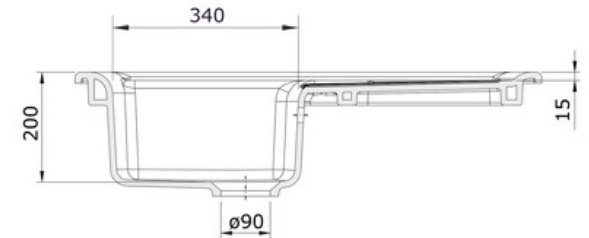
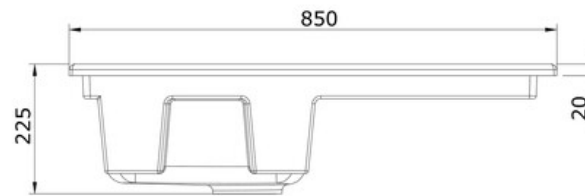
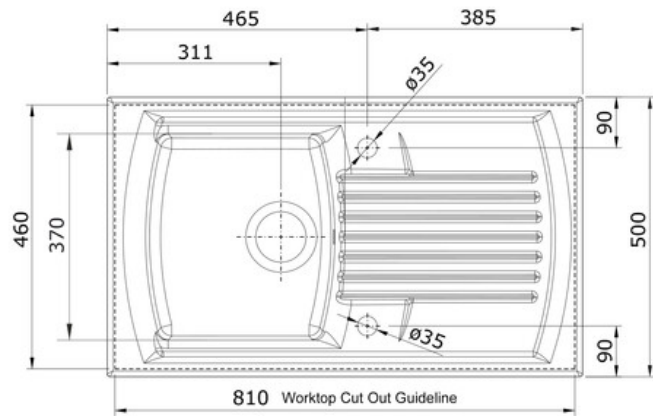
Date of download: October 24, 2025

AGA Rangemaster continuously seeks improvements in specification, design and production of products and thus, alterations take place periodically. Whilst every effort is made to produce up-to date resources, the information included here is intended as a guide. Always refer to the product's installation instructions when fitting, installation work should be completed a professional tradesman.

# TENBY FIRE CLAY CERAMIC SINK

CTE8501WH/

## Technical Drawing



NB: Due to manufacturing processes this sink may have a +/- 5mm tolerance on overall measurements, further variances can also occur dependent on specific areas of the sink.

Date of download: October 24, 2025

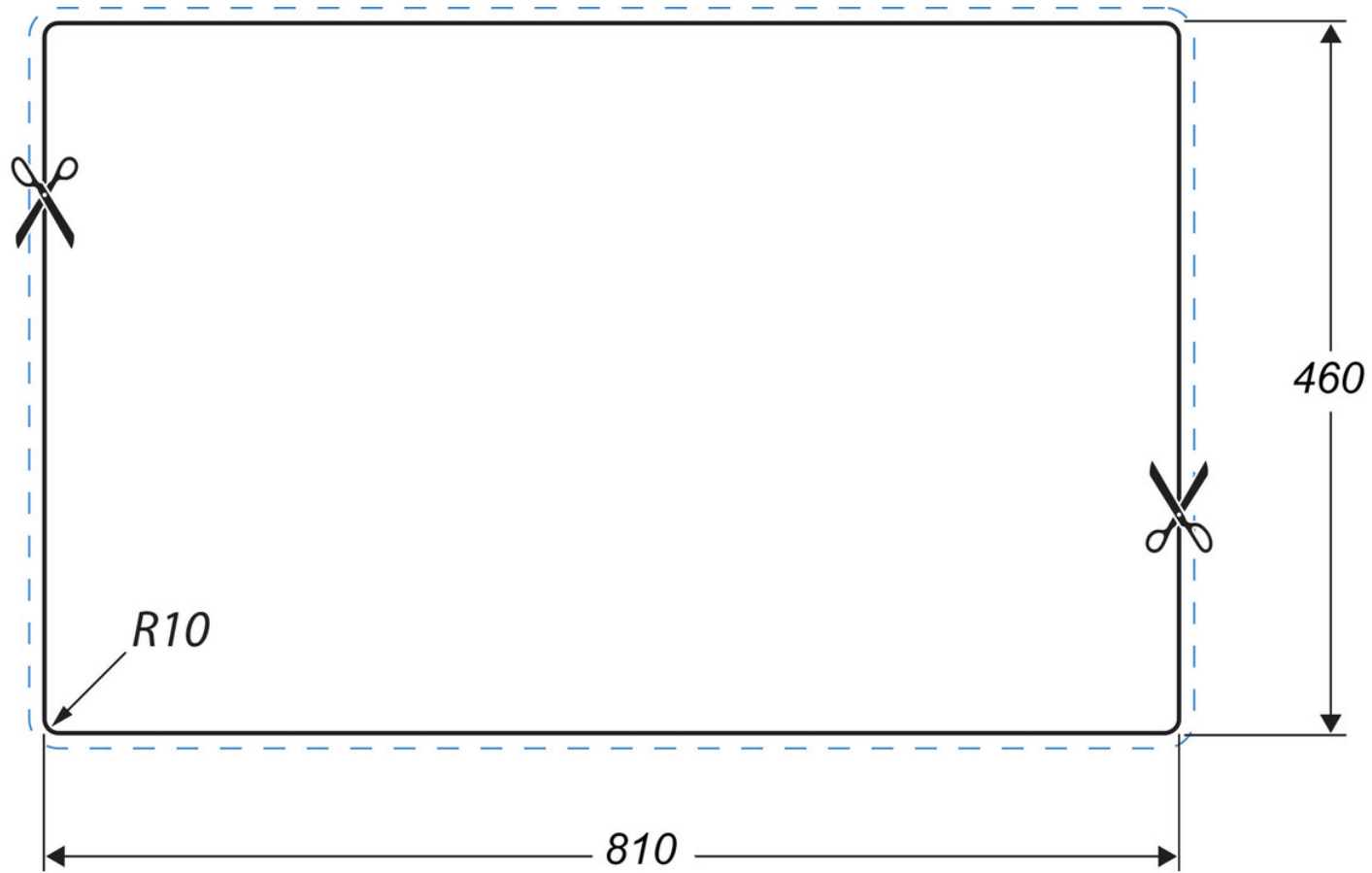
AGA Rangemaster continuously seeks improvements in specification, design and production of products and thus, alterations take place periodically. Whilst every effort is made to produce up-to date resources, the information included here is intended as a guide. Always refer to the product's installation instructions when fitting, installation work should be completed a professional tradesman.

# TENBY FIRE CLAY CERAMIC SINK

CTE8501WH/

## Cut Out Template

Dimensions in mm. Not to scale.



Date of download: October 24, 2025

AGA Rangemaster continuously seeks improvements in specification, design and production of products and thus, alterations take place periodically. Whilst every effort is made to produce up-to date resources, the information included here is intended as a guide. Always refer to the product's installation instructions when fitting, installation work should be completed a professional tradesman.