

Technical Specification Sheet

Miami 40x40

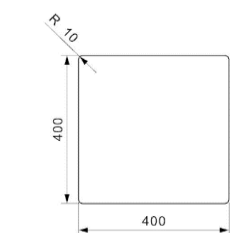
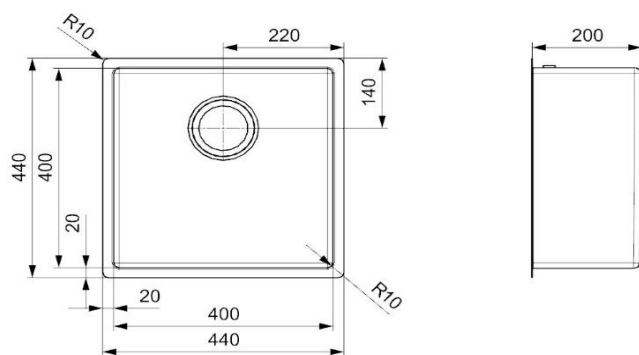
St Steel PVD SB UM Sink

R30707 / R30714 / R30691

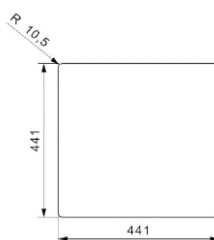


Specification

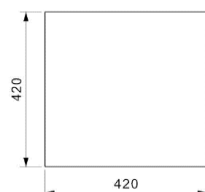
Material	Stainless Steel
Finish	Polished
Colour	Gold, Gun Metal and Copper
Gauge	0.9
Welded/Pressed	Pressed
No. of bowls	1
Fitting Method	Semi Integrated, Integrated and Undermount
Handing Options	N/A
Cabinet Size (mm)	450
Overall Length (mm)	440
Overall Width (mm)	440
Main Bowl Length (mm)	400
Main Bowl Width (mm)	400
Main Bowl Depth (mm)	200
Second Bowl Length (mm)	N/A
Second Bowl Width (mm)	N/A
Second Bowl Depth (mm)	N/A
Tap Hole Size (mm)	N/A
Waste Kit Included (Yes/No)	YES
Clips & Seals Included (Yes/No)	YES
Waste Size (mm)	90mm
Waste Kit Code	M 2900 - GunMetal M 2910 - Copper M 2920 - Gold
Cut Out Length (mm)	Please see Diagrams
Cut Out Width (mm)	Please see Diagrams
Product Weight (kg)	4
Packed Weight (kg)	6
Packed Dimensions (mm)	580 X 500 X 240
EAN number	



Undermount
Cut out



Integrated
Cut Out



Semi Integrated
Cut out

Warranty

Lifetime on manufacturing | 1 years serviceable parts warranty
(waste kit, clips & seals)

Care & Maintenance

Clean with warm soapy water only | You can use the Reginox INOX care cream to help maintain the steel finish | Avoid using anything abrasive on sink surface as will void the warranty

