

Technical Specification Sheet

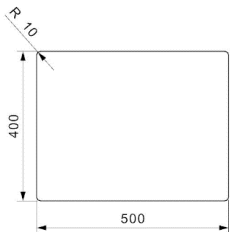
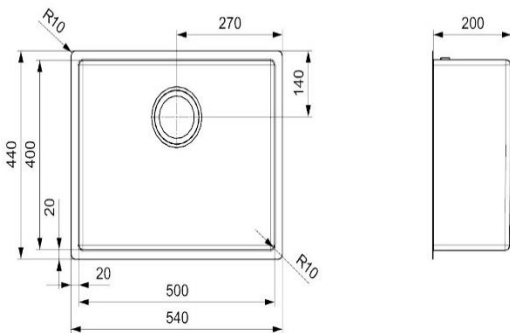
Miami 50x40

St Steel PVD SB UM Sink

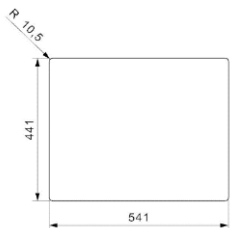
R30738/R30745/R30721



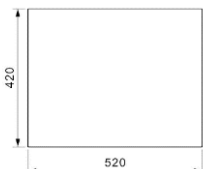
Specification



Undermount
Cut out



Integrated Cut
Out



Semi Integrated
Cut out

Material	Stainless Steel
Finish	Polished
Colour	Gold, Gun Metal and Copper
Gauge	0.9
Welded/Pressed	Pressed
No. of bowls	1
Fitting Method	Semi Integrated, Integrated and Undermount
Handing Options	N/A
Cabinet Size (mm)	600
Overall Length (mm)	440
Overall Width (mm)	540
Main Bowl Length (mm)	400
Main Bowl Width (mm)	500
Main Bowl Depth (mm)	200
Second Bowl Length (mm)	N/A
Second Bowl Width (mm)	N/A
Second Bowl Depth (mm)	N/A
Tap Hole Size (mm)	N/A
Waste Kit Included (Yes/No)	YES
Clips & Seals Included (Yes/No)	YES
Waste Size (mm)	90mm
Waste Kit Code	M 2900 - GunMetal M 2910 - Copper M 2920 - Gold
Cut Out Length (mm)	Please see Diagrams
Cut Out Width (mm)	Please see Diagrams
Product Weight (kg)	5
Packed Weight (kg)	7
Packed Dimensions (mm)	680 X 500 X 240
EAN number	

Warranty

Lifetime on manufacturing | 1 years serviceable parts warranty
(waste kit, clips & seals)

Care & Maintenance

Clean with warm soapy water only | You can use the Reginox INOX care cream to help maintain the steel finish | Avoid using anything abrasive on sink surface as will void the warranty

