

Technical Specification Sheet

NEWJERSEY18X37+34X37

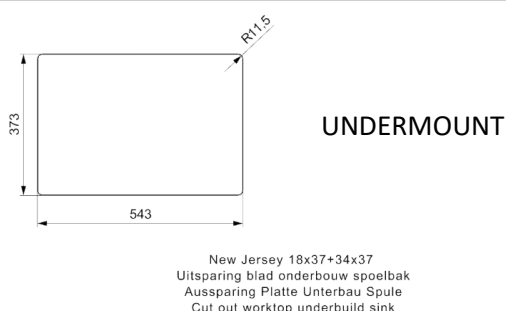
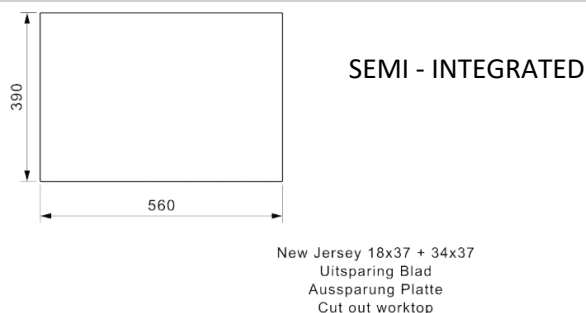
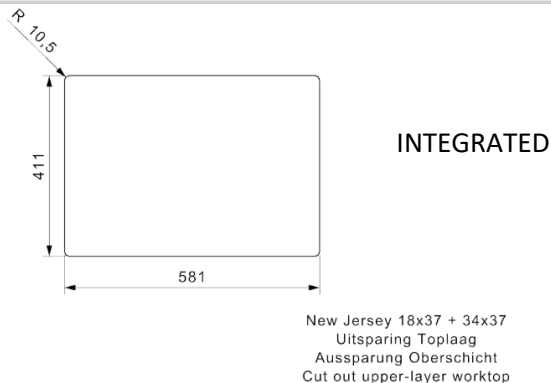
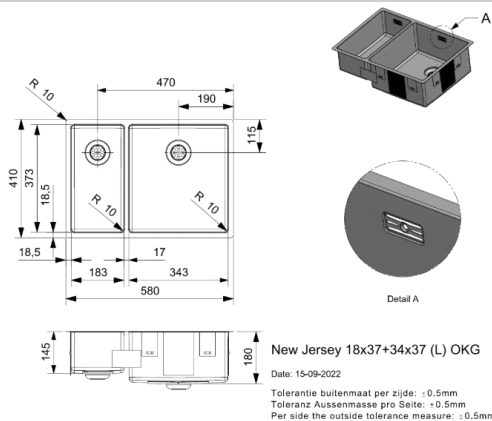


R33012



Specification

Material	Stainless Steel
Finish	Matt Inox
Colour	Stainless Steel
Gauge	0.9
Welded/Pressed	Pressed
No. of bowls	2
Fitting Method	Integrated, Semi-Integrated and Undermount
Handing Options	N/A
Cabinet Size (mm)	600
Overall Length (mm)	580
Overall Width (mm)	410
Overall Depth (mm)	200
Main Bowl Length (mm)	343
Main Bowl Width (mm)	373
Main Bowl Depth (mm)	180
Second Bowl Length (mm)	183
Second Bowl Width (mm)	373
Second Bowl Depth (mm)	145
Tap Hole Size (mm)	N/A
Waste Kit Included (Yes/No)	Yes
Clips & Seals Included (Yes/No)	Yes
Waste Size (mm)	90
Waste Kit Code	M 1720 Comfort x2 + R1182 X2
Clips & Seals Code	Z 1200 / Z 1290
Overflow Location	Both Bowls
Cut Out Length (mm)	*Please see diagram
Cut Out Width (mm)	*Please see diagram
Product Weight (kg)	8
Packed Weight (kg)	9
Packed Dimensions (mm)	600 x 430 x 220
EAN number	8712465033005



Warranty

Lifetime on manufacturing | 1 years serviceable parts warranty (waste kit, clips & seals)

Care & Maintenance

Clean with warm soapy water only | You can use the Reginox INOX care cream to help maintain the steel finish | Avoid using anything abrasive on sink surface as will void the warranty