

Dry Trap Tundish

Backflow prevention device for Fluid Category 5 contamination risk with AA type air gap and spring loaded mechanism

Overview

Reliance Valves Dry Trap Tundish is a type AA backflow prevention device, meaning it is an unrestricted air gap. It is designed to take any discharge that may occur from either a Pressure Relief Valve or a Pressure & Temperature Relief Valve fitted to an unvented hot water cylinder. Water flowing through a tundish is an indication of a fault with the system and alerts the occupants of the issue.

It is typical practice to fit both a trap, to prevent odours coming up through the drainage system, and a tundish to prevent backflow into the potable water system. The Reliance Valves Dry Trap Tundish type incorporates a waste trap, saving time and cost when installing a discharge pipe into a soil or waste pipe. The specially designed seal prevents odours or gases from entering the building, while still allowing discharged water to be conveyed to waste safely.

Features & Benefits

- Type AA backflow prevention for robust protection from potable water contamination
- Spring-loaded seat to prevent odours and gases from travelling backwards
- Can be connected directly to a soil point or external termination point
- Operates under full bore discharge and minimal discharge
- Ideal for use with an unvented water heater or boiler relief valve discharge

Product code	Description	Size
TUND600005	Dry Trap Tundish	15mm x 22mm
TUND600010	Dry Trap Tundish	15mm x 32mm



TUND600005



TUND600010



Dry Trap Tundish

Working parameters & specifications (MBSP and compression connection ends)

Max pressure / temperature 16.0 bar / 99°C

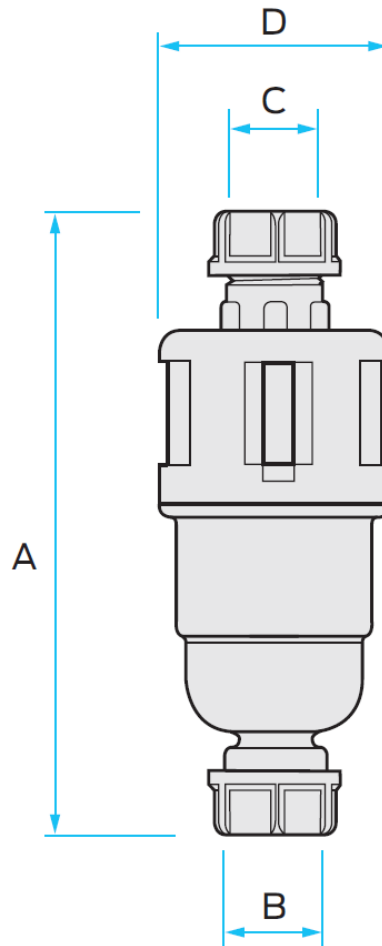
Applications

Domestic Unvented Hot & Cold Water ✓
 Central Heating Systems ✓

Materials

Body Plastic
 Spring Stainless Steel

Dimensions – All measurements in mm unless otherwise stated



Size	A	B	C	D
TUND600005	135	22	15	50
TUND600010	140	32	15	50