



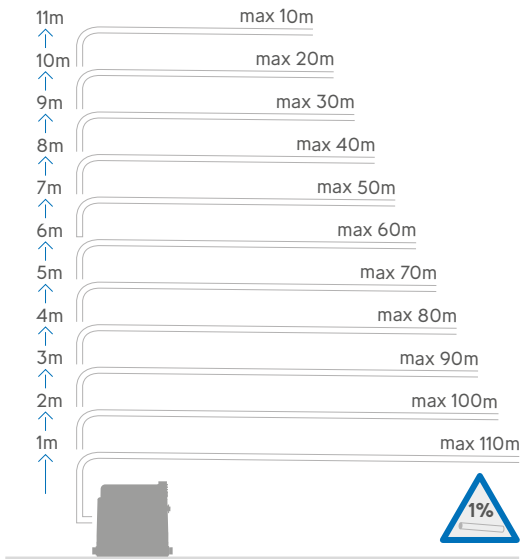
Product Ref: 1046/2

Identical to Sanicom[®] 1 but features two powerful motors where the second motor is a failsafe back-up to ensure that you always have continuity of service for your business.

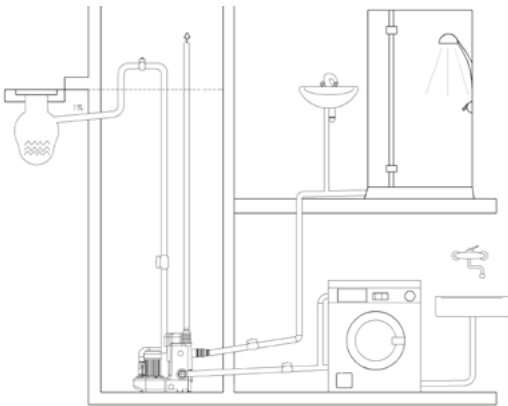
Why choose this product?

- Ideal for heavy commercial applications
- Safe, reliable pump plus backup motor
- Unit operates automatically
- Two side entries and air vent / connection to exterior
- Working temperature of 35°C
- Will handle up to 90°C for short periods
- External hard-wired alarm
- Can take waste from a shower only if there is adequate fall (see drawing below)

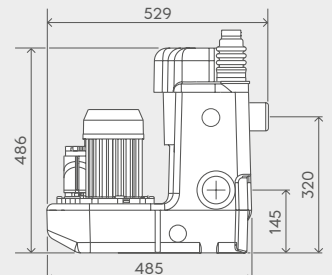
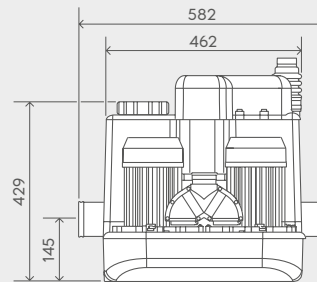
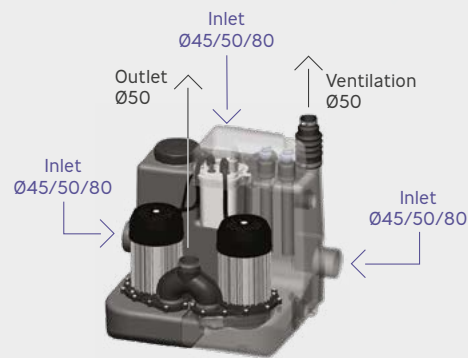
Vertical/horizontal performance



Connection to soil and vent pipe or drain



External hard-wired audio visual alarm (3m cable).



Discharge Pipework
50mm

Motor Power
1500 Watts x 2

Voltages
220-240 V/50 Hz

Tank Volume
34.5L

Working Waste Water Temp
35°C/Max 90°C (intermittent)

Product Weight
26kg

Inlet Pipework
45 / 50 / 80mm

IP Rating
IP44

Discharge height (m)

