



NOT127  
11.25

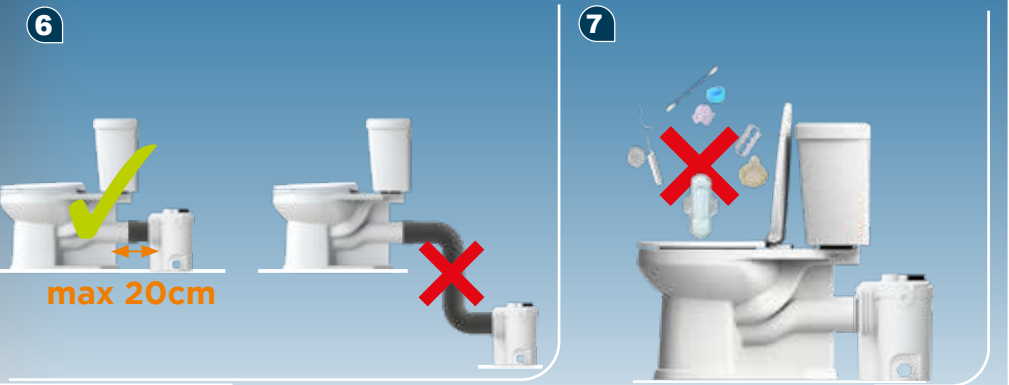
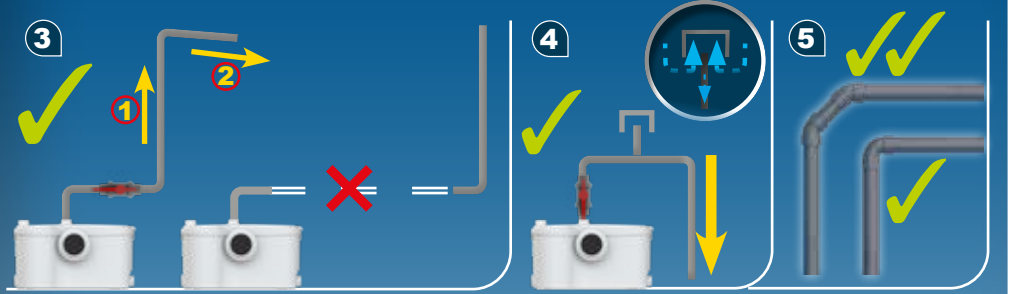
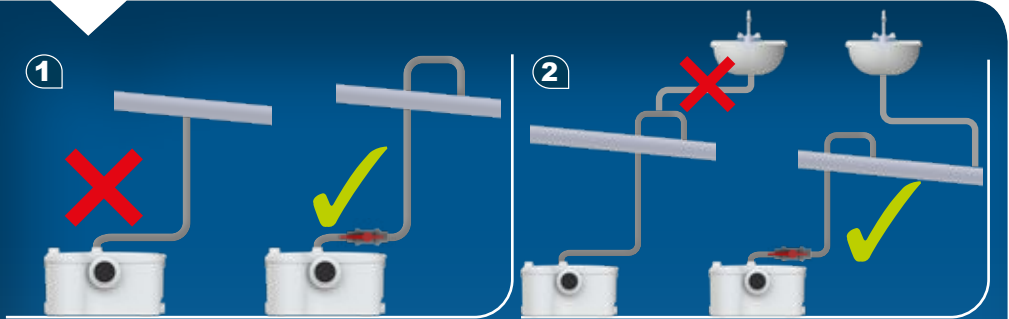
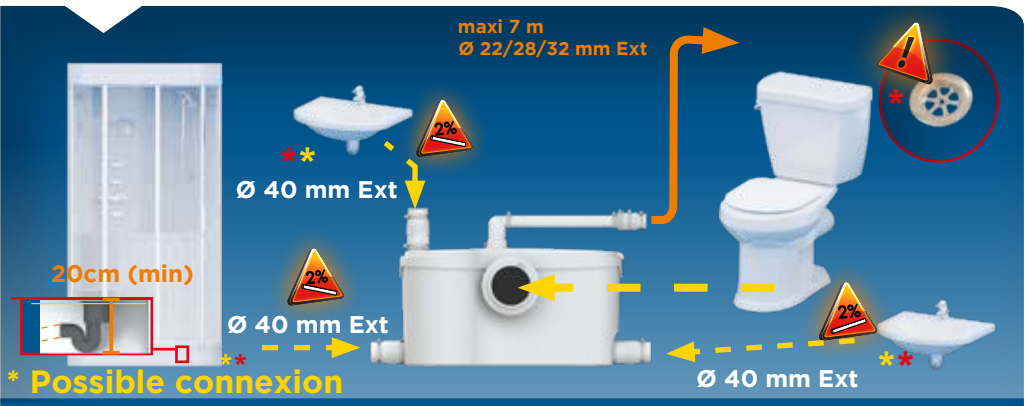
# Sanibest® Pro

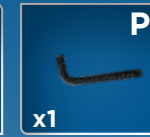
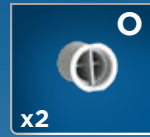
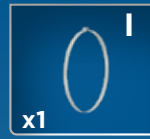
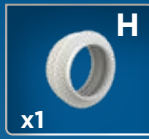
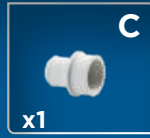
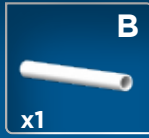
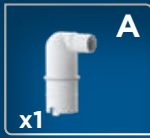


 INSTALLATION INSTRUCTIONS

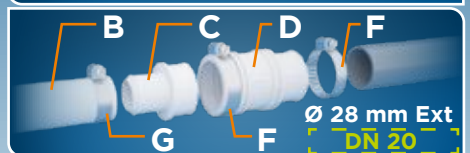
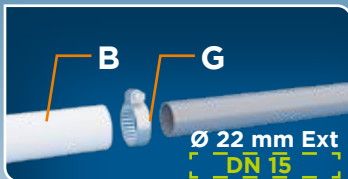
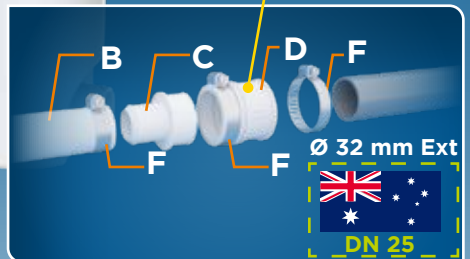
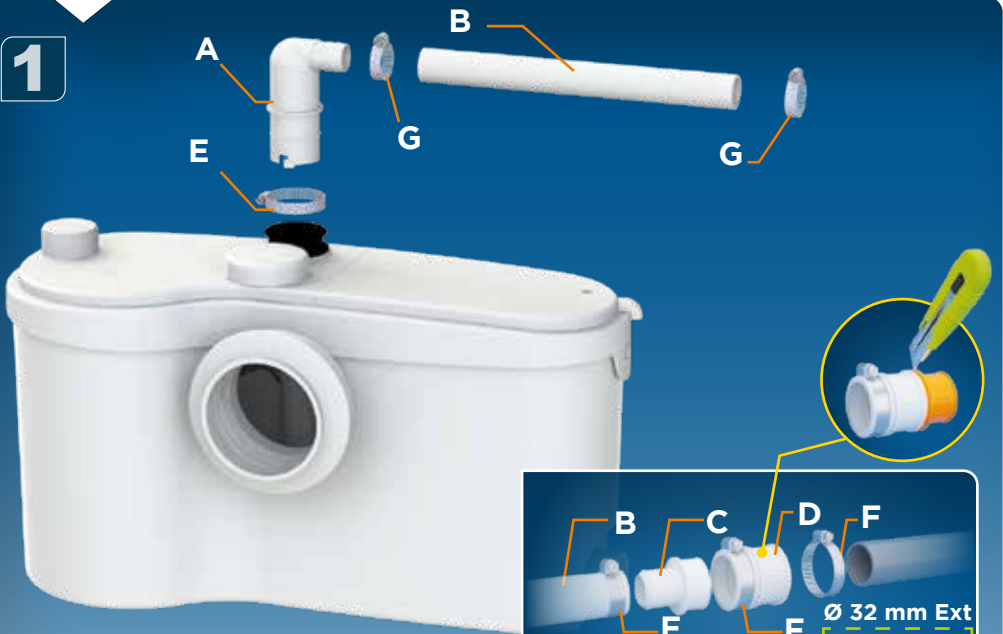
CE







1



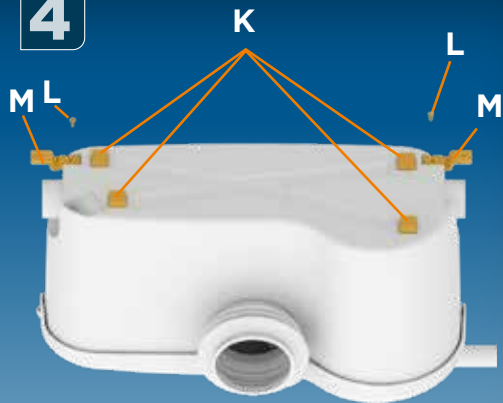
2



3



4



5A

\* Possible connexion



5B

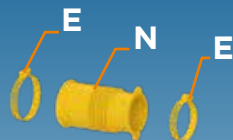
Ø 40 mm Ext



**6A**



Ø 40 mm Ext



**6B**



20cm (min)





## MAINTENANCE



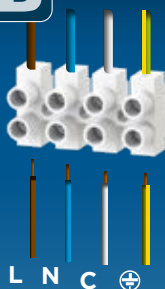
1



2A



2B



2C



2D



2E



3A

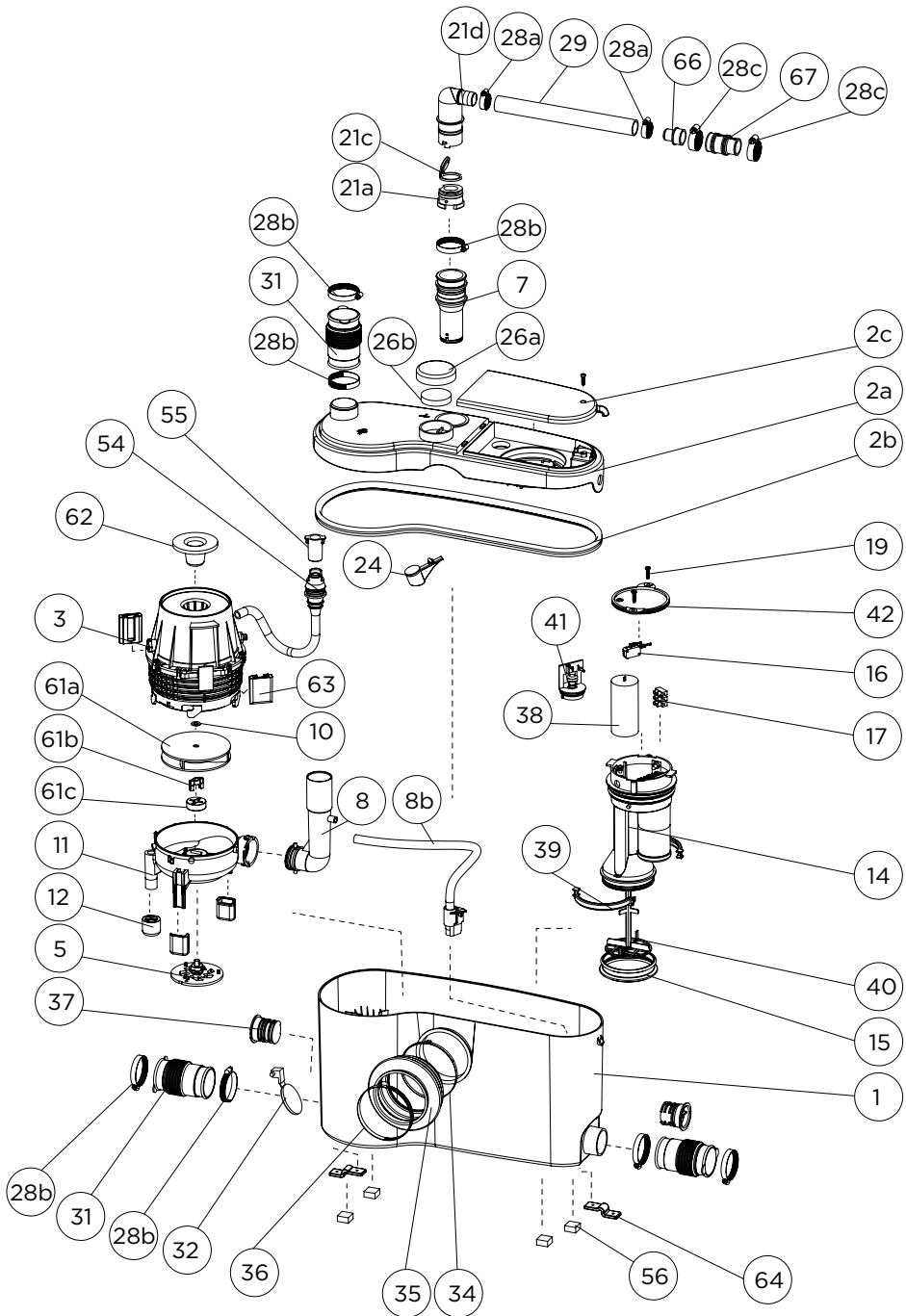


3B

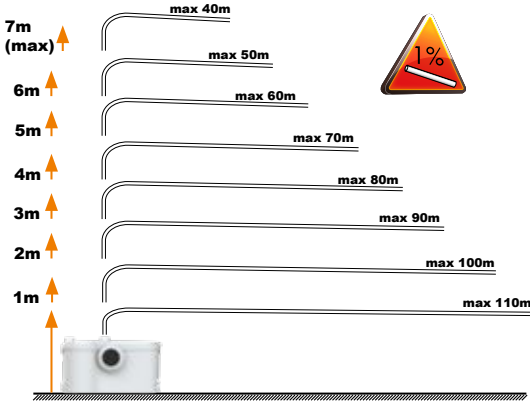
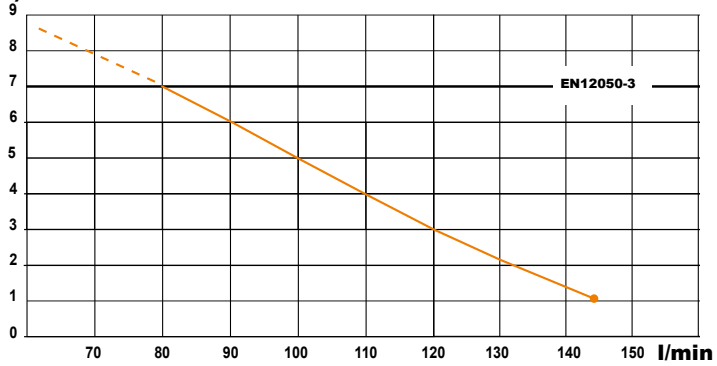



3C

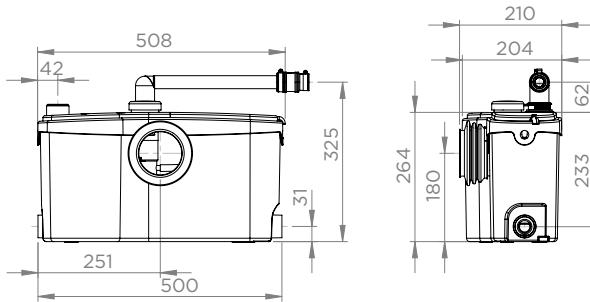




H(m)



**SANIBEST® PRO**  
**EN 12050-3 B85**  
**220-240 V - 50-60 Hz**  
**1100 W - IP44 - 9 A - **  
**12 Kg**



SERVICE HELPLINES

United Kingdom  
Tel. 08457 650011 (Call from a  
land line)  
Fax. 020 8842 1671

Ireland  
Tel. 1850 23 24 25 (LOW CALL)  
Fax. + 353 46 97 33 093

Service information : [www.sfa.biz](http://www.sfa.biz)

