

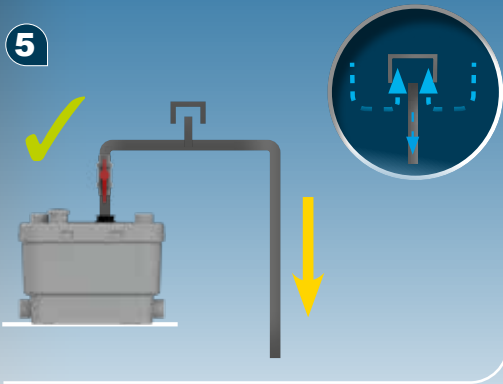
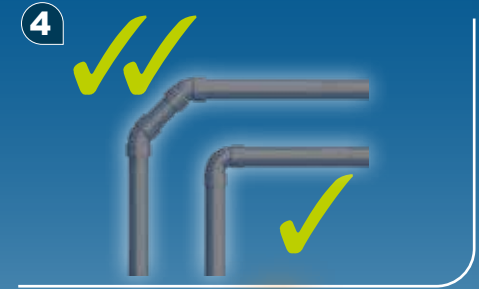
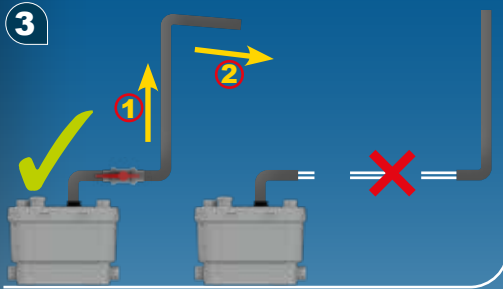
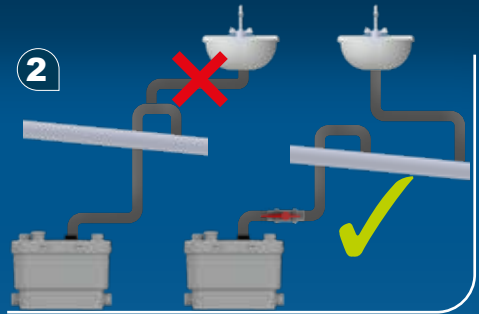
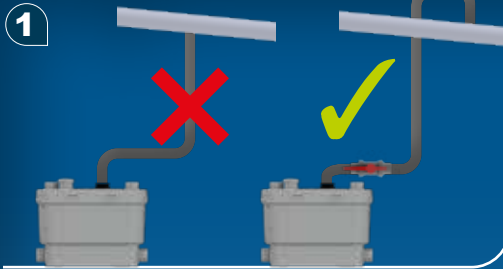
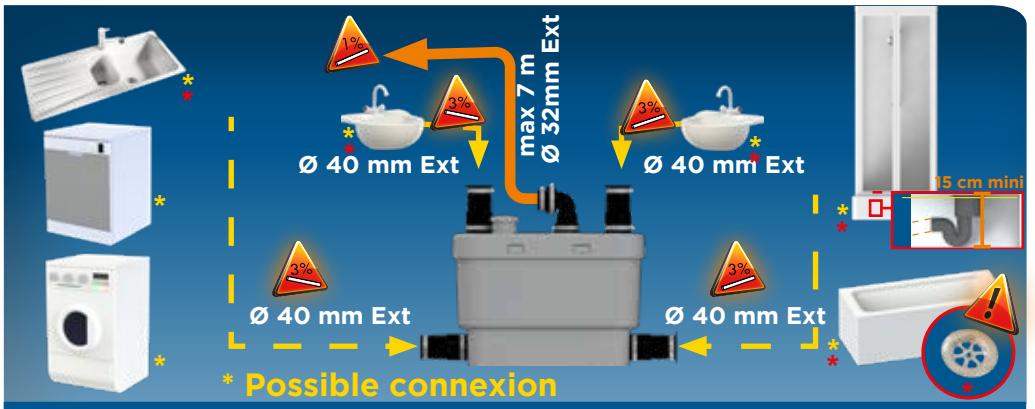
NOT1765
11.25

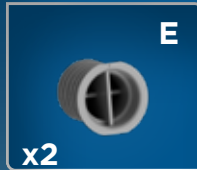
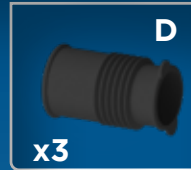
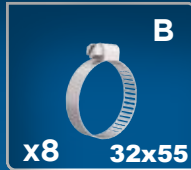
Sanispeed+



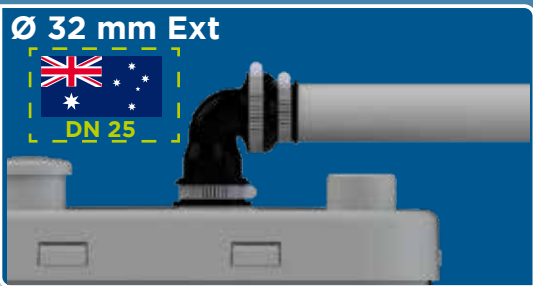
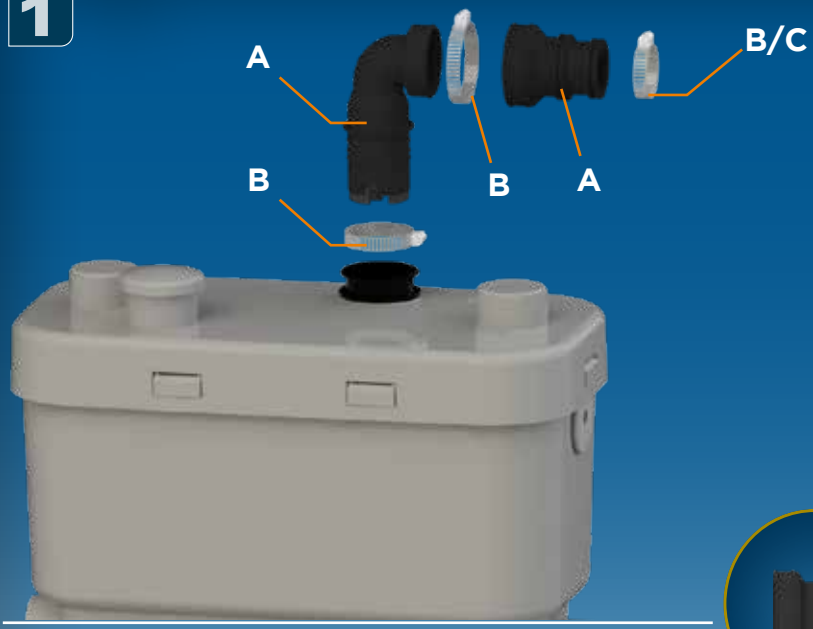
 INSTALLATION INSTRUCTIONS



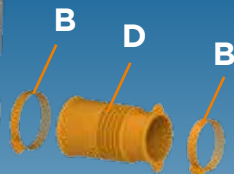




1



2A



Ø 40 mm Ext

2B

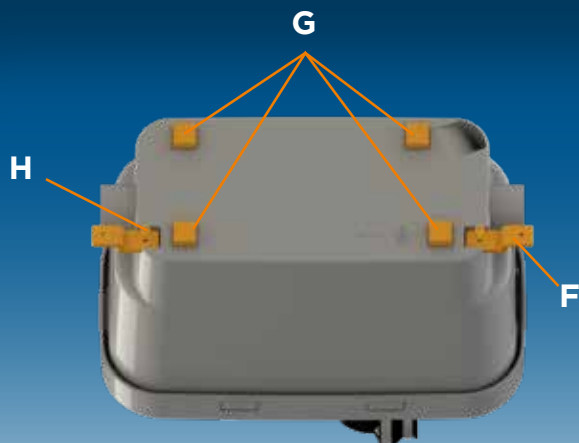


3

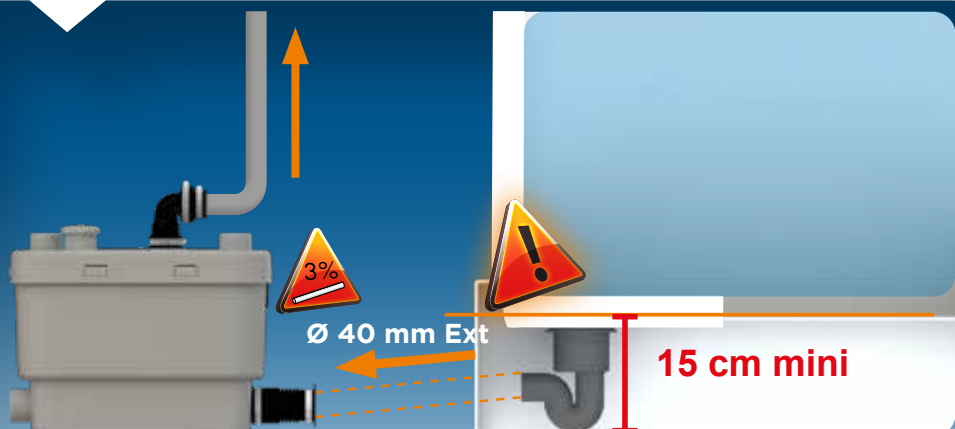
*** Possible connexion**

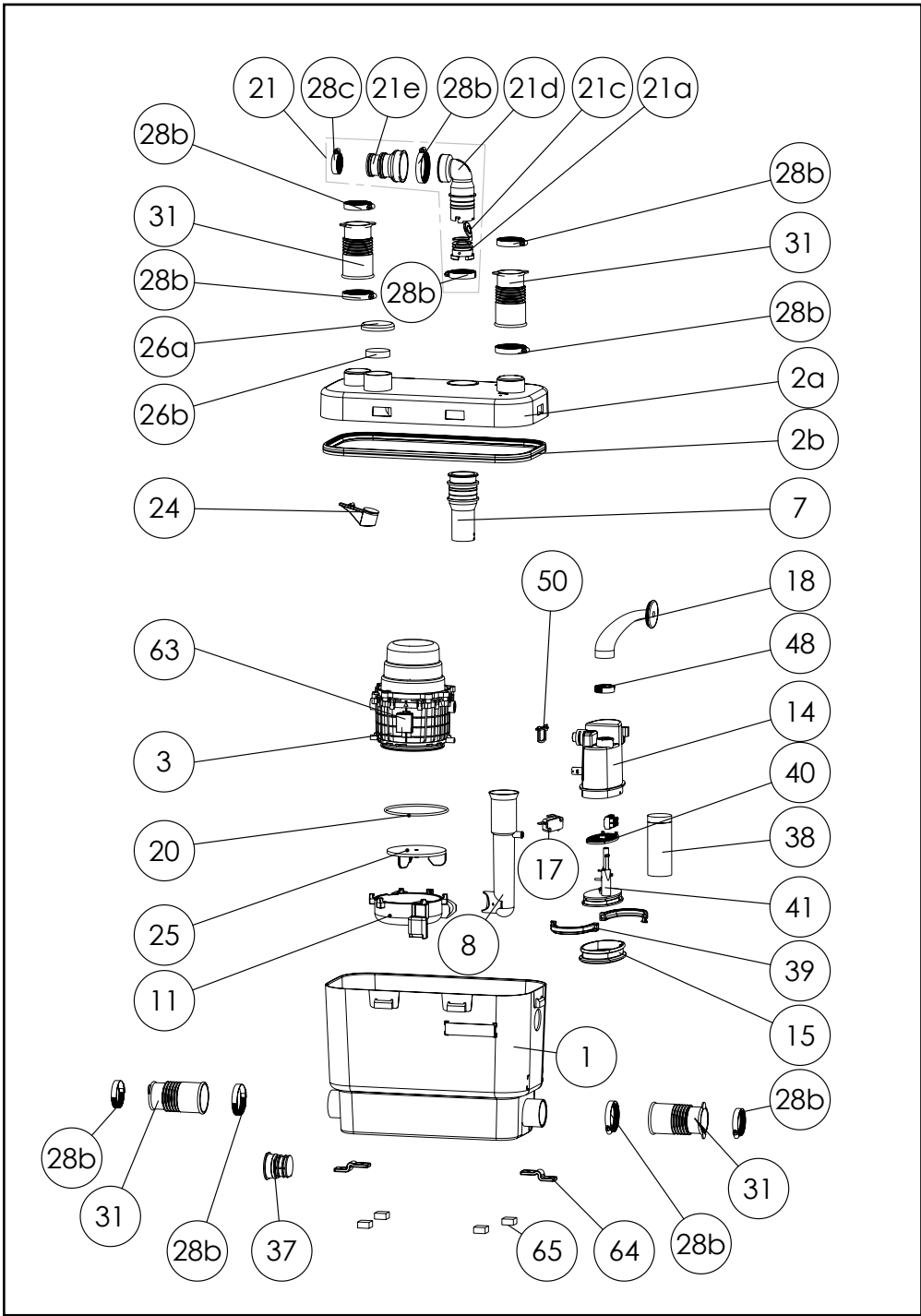


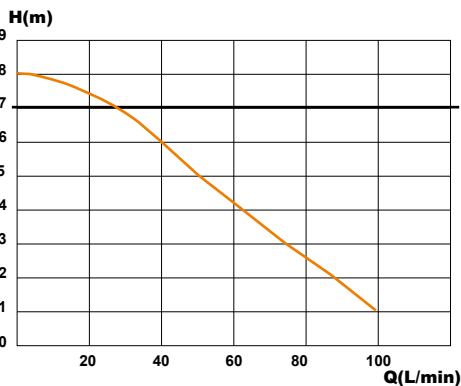
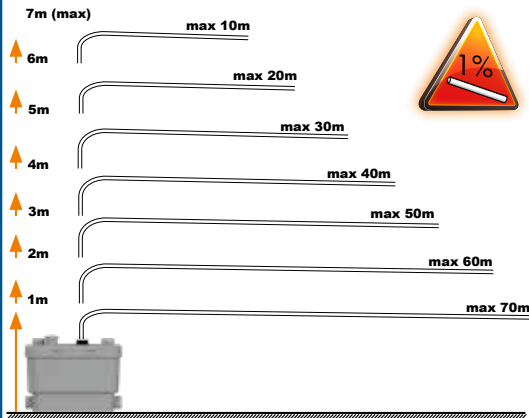
4



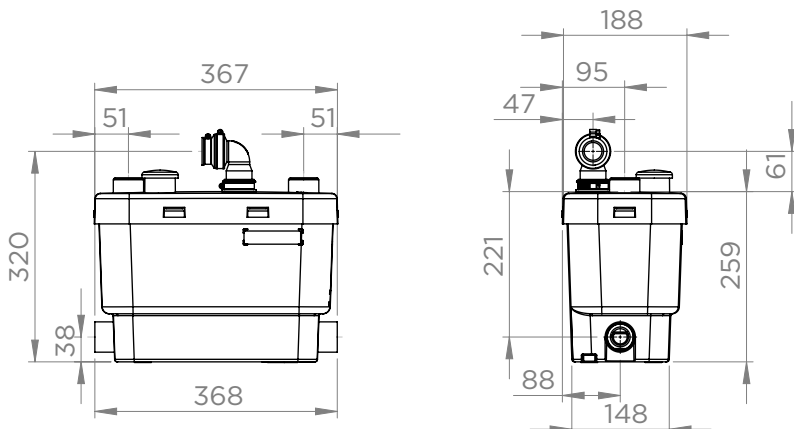
5







Sanispeed+
EN 12050-2 V45
220-240V - 50-60Hz -400 W- 2 A - ⊕
IP44 - 6,4 kg
Hmax (Q=0)=8m



SERVICE HELPLINES

United Kingdom
 Tel. 08457 650011 (Call from a land line)
 Fax. 020 8842 1671

Ireland
 Tel. 1850 23 24 25 (LOW CALL)
 Fax. + 353 46 97 33 095

Service information : www.sfa.biz

