

TOP-GRADE DESIGN OUTSTANDING QUALITY



**INSTRUCTIONS
FOR THE
INSTALLATION
OF TOP MOUNT
AND FLUSH MOUNT SINK**

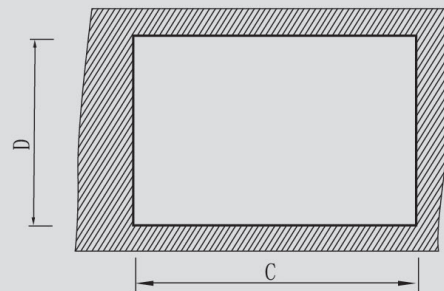
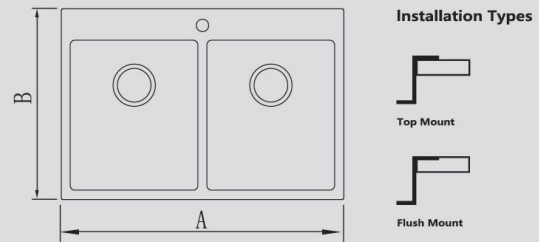
1

1.DESCRPTION:

A: Length of sink
B: Width of sink

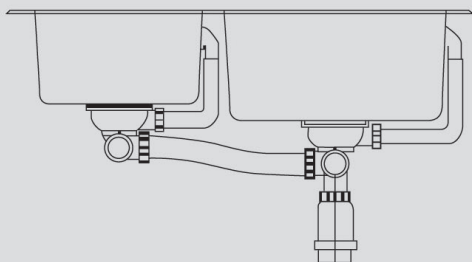
C: Length of cutting hole
D: Width of cutting hole

A	B	C	D
755	510	735	490

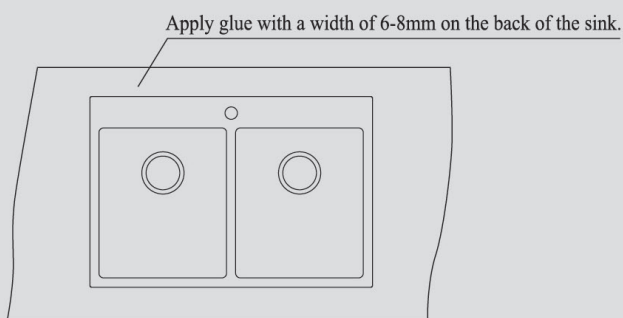


2

2. Install the waste / drainer at first.

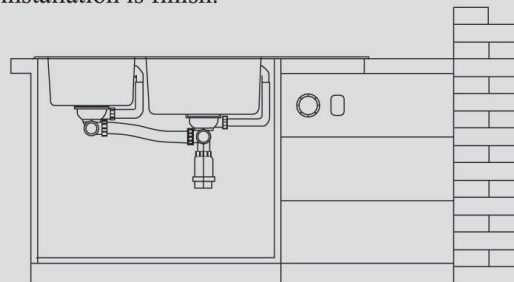


3. Apply glue with a width of 6-8mm on the back of the sink.



3

4. Fix the sink on the table very right. After the glue solidify, sink installation is finish.



Instructions

For everyday cleaning of sink, use household detergents which suitable for stainless steel sink.

After each use, rinse the sink with warm water then wipe with a soft dry cloth.

Warning!

- Do not use wire wool.
- Do not use chemical,bleaches or detergents containing chlorine or any of its derivatives.
- New house need often to open windows. If sinks contact with corrosive, acidic air or material, rust can be caused very fast. Rinse, wipe and make it dry always.
- Avoid scraping the sink basin or draining board with utensils.
- Avoid dropping heavy or sharp objects onto the sink surface.

4