

**NEW!**

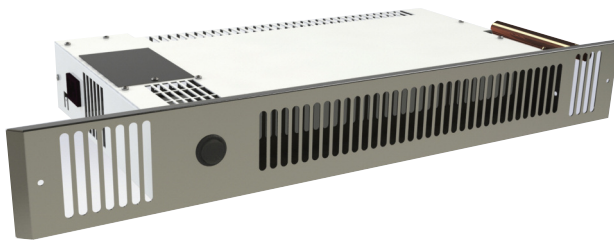
**The essential kitchen appliance  
Heats the room without  
reducing precious wall space**



**AFTER**

## Space Saver SS80

**The new slimline kitchen  
heater from Smith's - the only  
plinth heater that fits IKEA  
style 80mm plinth heights**



The Space Saver SS80 from Smith's is the first plinth heater to fit into narrow European-style kitchen plinths, such as those sold by Ikea.

- Frees up wall space for extra work surfaces plus more storage and additional appliances
- Offers efficient, controllable warmth to areas where space is at a premium
- Installs discreetly into the 'dead' space under fitted units
- Very low water content gives more responsive control than a radiator or underfloor heating
- Supplied as standard with stainless steel grille finish, plus alternative colours
- Suitable for heating rooms up to 24m<sup>3</sup>
- Also ideal for fitted bedroom and office furniture plinths



# Space Saver SS80 Technical Data

Model	Room Size Guide* (m <sup>3</sup> )	Heat Output at 80°C		Heat Output at 75°C		Heat Output at 70°C		Heat Output at 65°C	
		Normal kW (Btu/h)	Low kW (Btu/h)	Normal kW (Btu/h)	Low kW (Btu/h)	Normal kW (Btu/h)	Low kW (Btu/h)	Normal kW (Btu/h)	Low kW (Btu/h)
<b>Hydronic</b>									
SS80	24	1.1 (3600)	0.8 (2900)	0.9 (3200)	0.8 (2700)	0.8 (2800)	0.7 (2500)	0.7 (2500)	0.6 (2200)

Model	Room Size Guide* (m <sup>3</sup> )	Heat Output at 60°C		Heat Output at 55°C		Heat Output at 50°C		Heat Output at 45°C	
		Normal kW (Btu/h)	Low kW (Btu/h)	Normal kW (Btu/h)	Low kW (Btu/h)	Normal kW (Btu/h)	Low kW (Btu/h)	Normal kW (Btu/h)	Low kW (Btu/h)
<b>Hydronic</b>									
SS80	24	0.7 (2300)	0.6 (1900)	0.6 (2000)	0.5 (1700)	0.5 (1700)	0.4 (1400)	0.4 (1400)	0.35 (1200)

Model	Room Size Guide* (m <sup>3</sup> )	Heat Output at 40°C	
		Normal kW (Btu/h)	Low kW (Btu/h)
<b>Hydronic</b>			
SS80	24	0.3 (1100)	0.3 (900)

Model	Room Size Guide* (m <sup>3</sup> )	Sound Levels		Fascia Grille Finish	Fan-Only
		Normal (dBA)	Low (dBA)		
<b>Hydronic</b>					
SS80	24	40	32	Stainless Steel	n/a

\*Room sizes given in cubic metres for general guidance only based on normal heat output (80C) for domestic applications - always calculate heat losses. Heat outputs tested in accordance with BS 4856 using entering water temperature

Sound levels measured at 2.5m.

Model	Flow & Return Connections	Mains Cable	Transformer	Flexible Hoses	Isolating Valves	Fused Spur	Power Consumption		Water Capacity (Litres)
							Normal (Watts)	Low (Watts)	
<b>Hydronic</b>									
SS80	15mm	2.0m	n/a	•	n/a	3A	10	5	0.35

## Accessories

### Alternative Grille Finishes

Space Saver models are supplied with a detachable stainless steel fascia grille. Fascia grilles are also available in alternative colours.



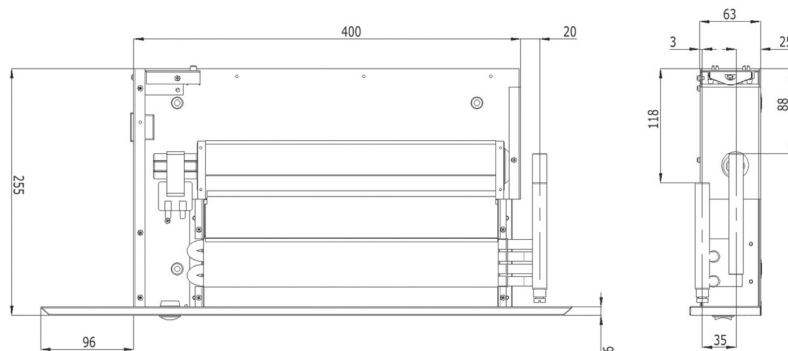
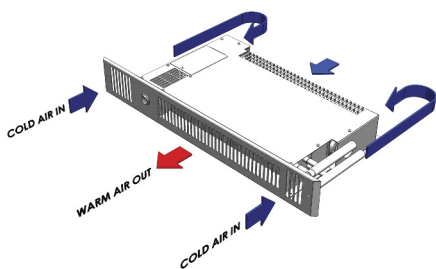
Brown



Black



White



All dimensions in mm

### Space Saver

#### Fascia Grille Finish

Stainless Steel

#### Installation

- Important:
- Model secured to plinth by two screws through fascia grille
  - Unit must be earthed
  - Suitable for two-pipe central heating systems only
  - Plug and play mains electrical connection

#### Accessories

Grilles: brown - RAL 8016, black - RAL 9005, white - RAL 9010

#### Commissioning

Check water temperature is hot enough to activate low temperature cut-out thermostat (LTC). Vent screw accessible through fascia grille

#### Controls

Low temperature cut-out thermostat set to energise fan at approximately 35°C

Single rocker switch - low/off/normal



Smith's Environmental Products Ltd  
Blackall Industrial Estate, South Woodham Ferrers, Chelmsford, Essex CM3 5UW

Tel: 01245 324900 Fax: 01245 324422

Sales E-mail: sales@smiths-env.com

General Information E-mail: info@smiths-env.com

For both the Republic of Ireland and Northern Ireland, contact  
MT Agencies on +353 (0)1 864 3363