

Space Saver

The Space Saver offers increased flexibility and space in kitchen design as it enables the removal of radiators that may be using up valuable wall space. Fitting discreetly into the plinth of a kitchen, the Space Saver provides efficient and effective heat at low level.



Model	Heat Output (kW)		Power Consumption (kW)		Fused Spur	Mains Cable (m)	Sound Levels (dBA)	Casing Colour	Fan-Only
	Normal	Boost	Normal	Boost					
Space Saver SS2E	1.0	2.0	1.0	2.0	10A	2.0	42	Brushed Steel	•

Space Saver

Fascia Grille Finish

Zinc coated steel polyester powder coated - metallic silver (referred to as Brushed Steel)

Installation

Important: Correct fascia grille opening must be cut to allow sufficient air intake

- 20mm clearance above unit required
- Model secured to plinth by two screws through fascia grille
- Unit must be earthed

Accessories

Wall mounted room thermostat

Grilles: brown - RAL 8016, black - RAL 9005, white - RAL 9010, chrome, aluminium, gold

Alternative grilles for SS2E fit over the supplied grille

Wall mounted control switch (white) to suit SS2E

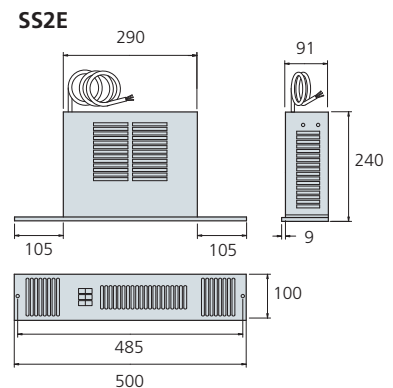
Controls

Wall-mounted room thermostat

Overheat protection: thermal cut-out. Manual reset procedure: switch power off at unit or mains, wait 5 minutes, switch power on



Wall mounted room thermostat



All dimensions in mm

Additional information

Electric fan-assisted heaters cost around 15p per hour for each 1kW of heat. Hydronic models available.