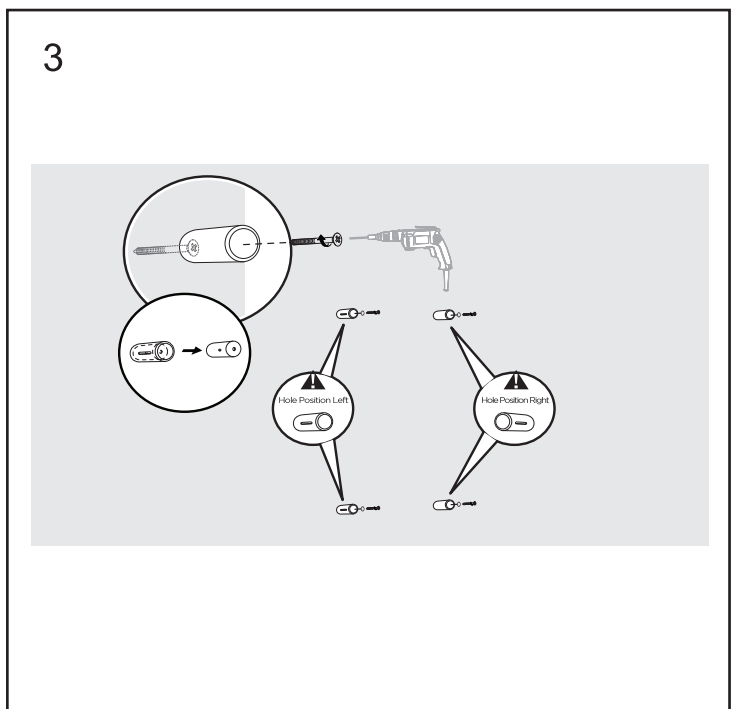
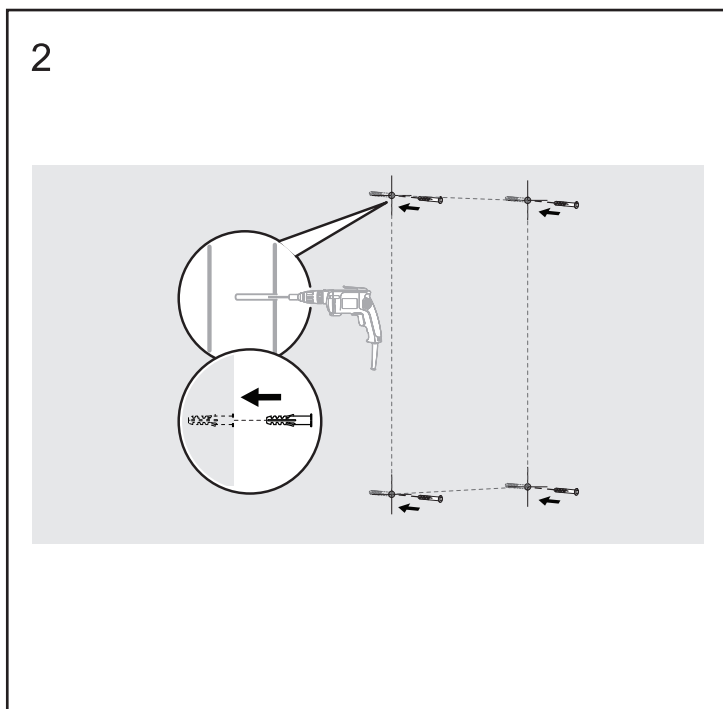
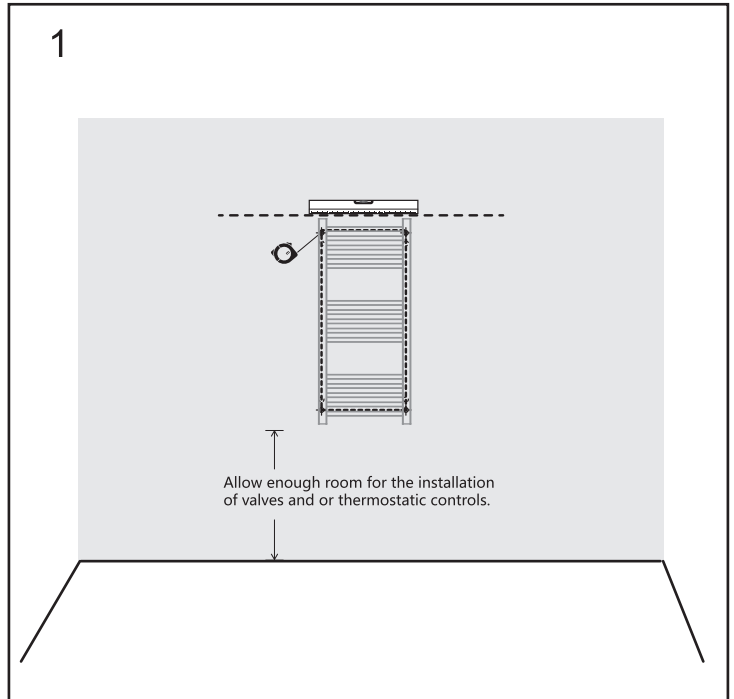
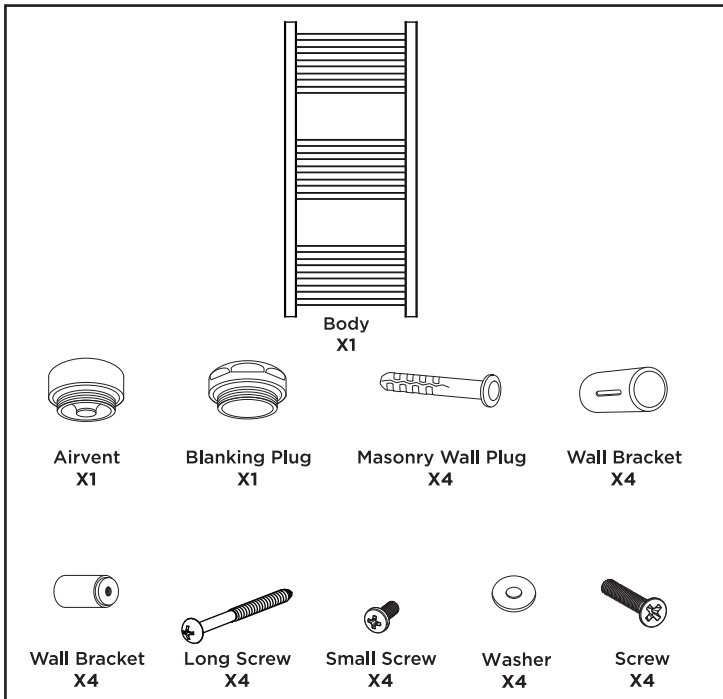
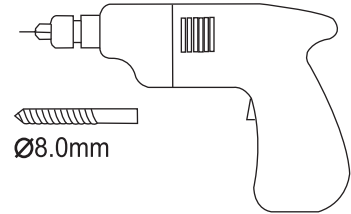
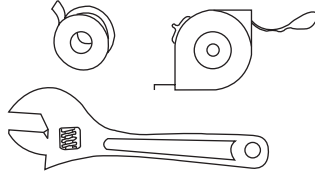
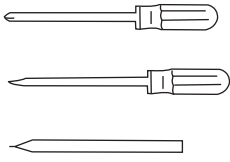


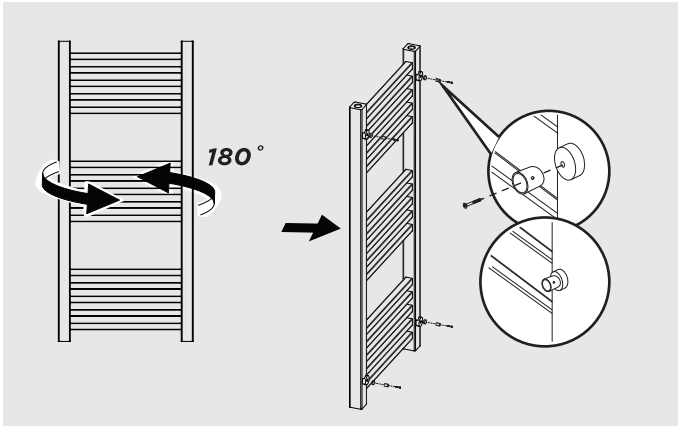
Towel Rail Installation

- review instructions carefully before installation
- installation should be completed by a suitably qualified person
- please dispose of packaging in a responsible manner

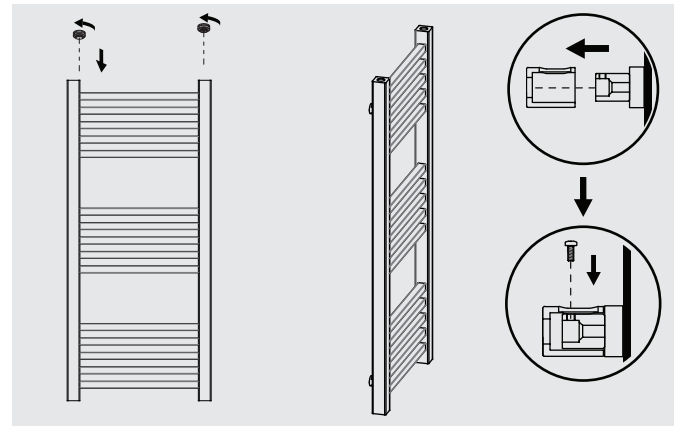
tools required



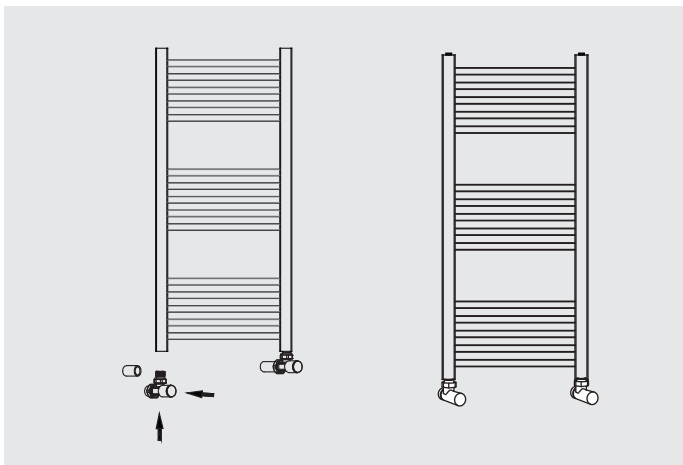
4



5



6



After installation . . .

- Use a screwdriver to open the air vent, open the inlet valve and let the water rush into the radiator. Check all connections for leaks.
- Once water overflows from the air vent, there is no air in the tube.
- Use a screwdriver to close the air vent, turn on the outlet valve and the radiator is ready for use.

After care . . .

- This radiator is made from steel with painted finish. It should not be cleaned with corrosive or abrasive cleaning agents.

Please note . . .

· This product can only be used at $PN \leq 1\text{MPa}$ (10g/cm^2 , 10 Bar), It should only be filled with water, and at a temperature below 100°C (212°F). See table below for installation requirements.

If the temperature exceeds 48°C (or 120°F), please install a warning sign near the product to avoid burning and scolding accidents.

Fill $\frac{3}{4}$ Full	Pressure	Temperature	Comments
water only	$PN \leq 1\text{Mpa}$	$0^\circ\text{C} < t \leq 100^\circ\text{C}$	If ambient temperature drops below 1°C , drain out the water to prevent freezing.