

# Classic Column



A timeless classic design, to complement both contemporary and traditional interiors. The Classic Column is a real style statement, with a beautiful finish and sizes to suit almost any space.

## 54 horizontal models

Heights: 300mm to 750mm

Lengths: 444mm to 1870mm

Outputs: 288 to 2972 watts, 983 to 10140 Btu/hr

Types: 2, 3 & 4 columns

For full details please refer to pages 97-98

For colour options please refer to page 133



## 6 vertical models

Heights: 1800mm, 2000mm & 2500mm

Lengths: 352mm & 444mm

Outputs: 868 to 1539 watts, 2962 to 5251 Btu/hr

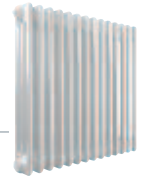
Types: 2 column

For full details please refer to pages 97-98

For colour options please refer to page 133



# Stelrad Classic Column



## 50 $\Delta t$

## 40 $\Delta t$

## 30 $\Delta t$

Height	Length mm	Columns	Heat output			Heat output			Heat output		
			UIN	Watts	Btu/hr	UIN	Watts	Btu/hr	UIN	Watts	Btu/hr
300	444	3	163000	288	983	163000	215	735	163000	148	506
	628	3	163001	416	1419	163001	311	1062	163001	214	731
	858	3	163002	576	1965	163002	431	1470	163002	297	1012
	1042	3	163003	704	2402	163003	527	1797	163003	363	1237
	1272	3	163004	864	2948	163004	646	2205	163004	445	1518
	1456	3	163005	992	3385	163005	742	2532	163005	511	1743
	1870	3	163006	1280	4367	163006	957	3267	163006	659	2249
	444	4	163007	377	1286	163007	282	962	163007	194	662
	628	4	163008	545	1860	163008	408	1391	163008	281	958
	858	4	163009	754	2573	163009	564	1924	163009	388	1325
	1042	4	163010	922	3146	163010	690	2353	163010	475	1620
	1272	4	163011	1131	3861	163011	846	2887	163011	582	1987
	628	2	163012	499	1703	163012	373	1274	163012	257	877
	858	2	163013	691	2358	163013	517	1764	163013	356	1214
	1042	2	163014	845	2883	163014	632	2157	163014	435	1485
	1272	2	163015	1037	3538	163015	776	2647	163015	534	1822
	444	3	163016	464	1585	163016	347	1184	163016	239	815
	628	3	163017	671	2289	163017	502	1713	163017	346	1179
858	3	163018	929	3170	163018	695	2371	163018	478	1632	
1042	3	163019	1135	3873	163019	849	2897	163019	585	1994	
1272	3	163020	1393	4755	163020	1042	3555	163020	717	2448	
1456	3	163021	1600	5459	163021	1197	4083	163021	824	2811	
1870	3	163022	2064	7044	163022	1544	5268	163022	1063	3627	
444	4	163023	608	2074	163023	455	1552	163023	313	1068	
628	4	163024	879	2999	163024	657	2243	163024	453	1545	
858	4	163025	1217	4152	163025	910	3106	163025	627	2138	
1042	4	163026	1487	5074	163026	1112	3795	163026	766	2613	
1272	4	163027	1825	6227	163027	1365	4658	163027	940	3207	
628	2	163028	589	2010	163028	441	1503	163028	303	1035	
858	2	163029	815	2781	163029	610	2080	163029	420	1432	
1042	2	163030	997	3402	163030	746	2545	163030	513	1752	
1272	2	163031	1223	4173	163031	915	3121	163031	630	2149	
444	3	163032	548	1870	163032	410	1399	163032	282	963	
628	3	163033	792	2702	163033	592	2021	163033	408	1392	
858	3	163034	1096	3740	163034	820	2797	163034	564	1926	
1042	3	163035	1340	4572	163035	1002	3420	163035	690	2355	
1272	3	163036	1644	5612	163036	1230	4196	163036	847	2889	
1456	3	163037	1888	6442	163037	1412	4819	163037	972	3318	
1870	3	163038	2436	8312	163038	1822	6217	163038	1255	4280	
444	4	163039	718	2450	163039	537	1832	163039	370	1262	
628	4	163040	1037	3538	163040	776	2647	163040	534	1822	
858	4	163041	1436	4900	163041	1074	3665	163041	740	2523	
1042	4	163042	1756	5991	163042	1313	4482	163042	904	3086	
1272	4	163043	2155	7353	163043	1612	5500	163043	1110	3787	
858	3	163044	1337	4562	163044	1000	3412	163044	689	2349	
1042	3	163045	1635	5579	163045	1223	4173	163045	842	2873	
1272	3	163046	2006	6844	163046	1500	5120	163046	1033	3525	
1456	3	163047	2303	7861	163047	1723	5878	163047	1186	4047	
1870	3	163048	2972	10140	163048	2223	7585	163048	1531	5222	
444	4	163049	877	2992	163049	656	2238	163049	452	1541	
628	4	163050	1266	4320	163050	947	3231	163050	652	2225	
858	4	163051	1753	5981	163051	1311	4474	163051	903	3080	
1042	4	163052	2143	7312	163052	1603	5469	163052	1104	3766	
1272	4	163053	2630	8974	163053	1967	6712	163053	1354	4621	
1800	352	2	163054	868	2962	163054	649	2215	163054	447	1525
2000	444	2	163055	1116	3808	163055	835	2848	163055	575	1961
2500	352	2	163056	966	3296	163056	723	2465	163056	497	1697
	444	2	163057	1242	4238	163057	929	3170	163057	640	2182
	352	2	163058	1197	4084	163058	895	3055	163058	616	2103
	444	2	163059	1539	5251	163059	1151	3928	163059	793	2704

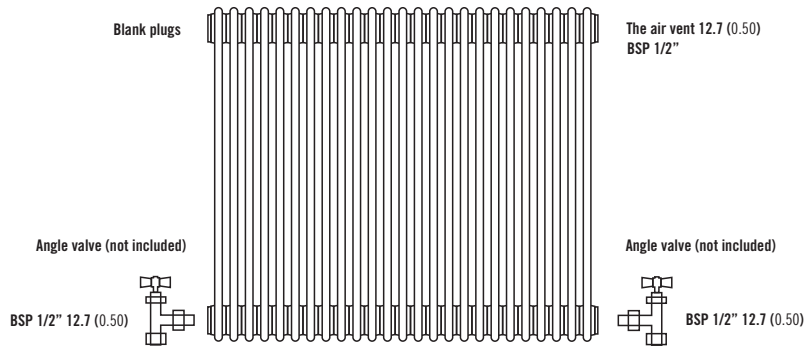
## EN 442 Certification Data – CETIAT tested in accordance with BS EN 442

Type	1					2				3			
Height	500	600	1800	2000	2500	300	500	600	750	300	500	600	750
W/m at 75/65/20	835	985	2696	3000	3717	696	1122	1324	1615	911	1469	1734	2117
n-coefficients	1.25	1.25	1.31	1.31	1.3	1.25	1.25	1.26	1.26	1.25	1.26	1.27	1.27
Heated Surface Area (m <sup>2</sup> /m)	1.52	1.96	6.09	6.74	8.48	1.52	2.39	3.04	3.7	1.96	3.26	4.13	5
Weight (kg/m)	17.39	21.74	58.7	65.22	80.43	15.22	26.09	30.43	36.96	21.74	36.96	43.48	54.35
Water Contents (l/m)	10.87	13.04	32.61	36.96	44.72	13.04	17.39	19.57	23.91	15.22	21.74	26.09	30.43
Wall to tap centre (mm)	54 / 59	54 / 59	54 / 59	54 / 59	54 / 59	73 / 78	73 / 78	73 / 78	73 / 78	91 / 96	91 / 96	91 / 96	91 / 96



## Classic Column typical valve installation

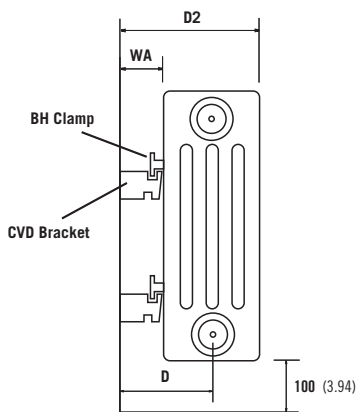
All dimensions in mm. Inches in brackets.



Note: Factory fitted bushes are welded in place and not removable.  
If installing TBOE (Top Bottom Opposite End) please note that the radiator MUST be inverted.

## Classic Column typical bracket installation

All dimensions in mm. Inches in brackets.



### Measurements using 10mm CVD Brackets Slot

Add 5mm if using 15mm Slot

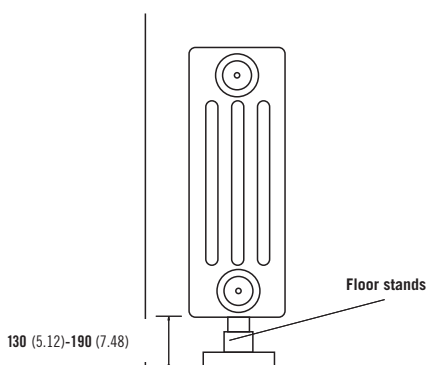
	WA	D	D2
2 Col	23	54	85
3 Col	23	73	123
4 Col	23	91	159

### No of CVD Brackets and BH Clamps Required

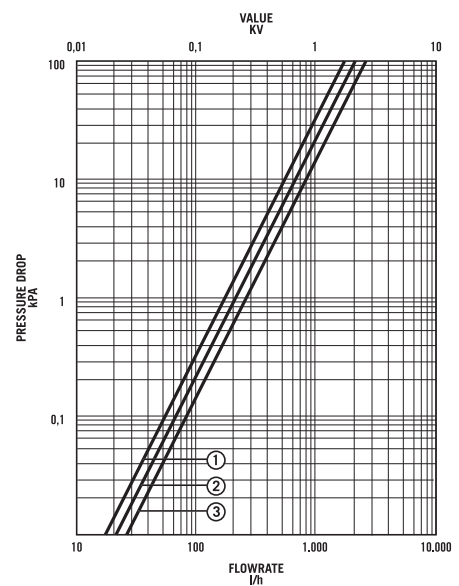
	No of Sections
4	0 - 23
6	24 - 41

## Classic Column optional extra floor fixing

All dimensions in mm. Inches in brackets.



## Pressure drops



- ① 2 Column (P1), 11 (K1)
- ② 3 Column (P+), 22 (K2)
- ③ 4 Column (K3)