

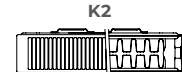
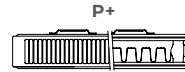
# GREEN

SERIES



**GREEN  
COMPACT**

**50 $\Delta$ t**  
(75/65/20°C)



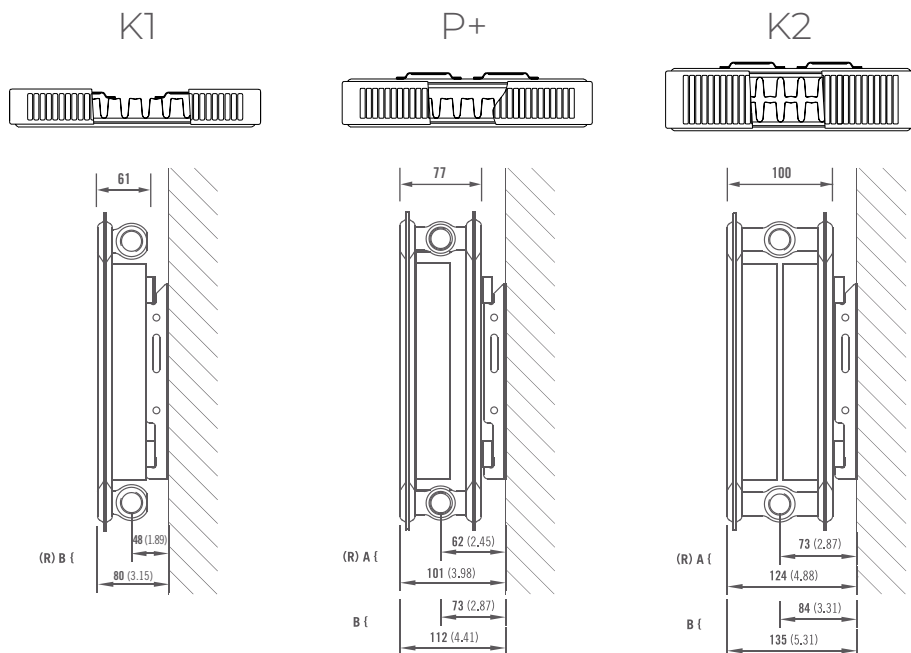
Height mm	Length mm	K1			P+			K2		
		Stelrad UIN	Heat output Watts	Heat output Btu/hr	Stelrad UIN	Heat output Watts	Heat output Btu/hr	Stelrad UIN	Heat output Watts	Heat output Btu/hr
<b>300</b>	1000	-	-	-	-	-	-	5032210	982	3352
	1500	-	-	-	-	-	-	5032215	1473	5027
<b>450</b>	400	5041104	302	1031	-	-	-	-	-	-
	500	5041105	378	1290	-	-	-	-	-	-
	600	5041106	454	1550	-	-	-	-	-	-
	800	5041108	605	2065	-	-	-	5042208	1097	3744
	900	-	-	-	-	-	-	5042209	1234	4212
	1000	5041110	756	2580	5042110	1055	3601	5042210	1371	4679
	1100	-	-	-	-	-	-	5042211	1508	5147
	1200	5041112	907	3096	5042112	1266	4321	5042212	1645	5614
	1400	5041114	1058	3611	-	-	-	5042214	1919	6550
	1600	-	-	-	-	-	-	5042216	2194	7488
1800	-	-	-	-	-	-	5042218	2468	8423	
<b>600</b>	400	5061104	392	1338	5062104	538	1836	5062204	693	2365
	500	5061105	490	1672	5062105	673	2297	5062205	866	2956
	600	5061106	588	2007	5062106	807	2754	5062206	1039	3546
	700	5061107	686	2341	5062107	942	3215	5062207	1212	4137
	800	5061108	784	2676	5062108	1076	3672	5062208	1386	4730
	900	5061109	882	3010	5062109	1211	4133	5062209	1559	5321
	1000	5061110	980	3345	5062110	1345	4590	5062210	1732	5911
	1100	5061111	1078	3679	5062111	1480	5051	5062211	1905	6502
	1200	5061112	1176	4014	5062112	1614	5509	5062212	2078	7092
	1400	5061114	1372	4683	5062114	1883	6427	5062214	2425	8277
1600	5061116	1568	5352	5062116	2152	7345	5062216	2771	9457	
1800	5061118	1764	6021	-	-	-	5062218	3118	10642	
<b>700</b>	500	5071105	559	1908	-	-	-	5072205	981	3348
	600	5071106	670	2287	-	-	-	5072206	1177	4017
	700	-	-	-	-	-	-	5072207	1373	4686
	800	-	-	-	-	-	-	5072208	1569	5355

$\Delta$ t50 is the UK's industry standard for heating outputs, which has an operating temperature of 75/65/20°C.



## WALL MOUNTING AND LUG INFORMATION

All dimensions in mm. Inches in brackets.



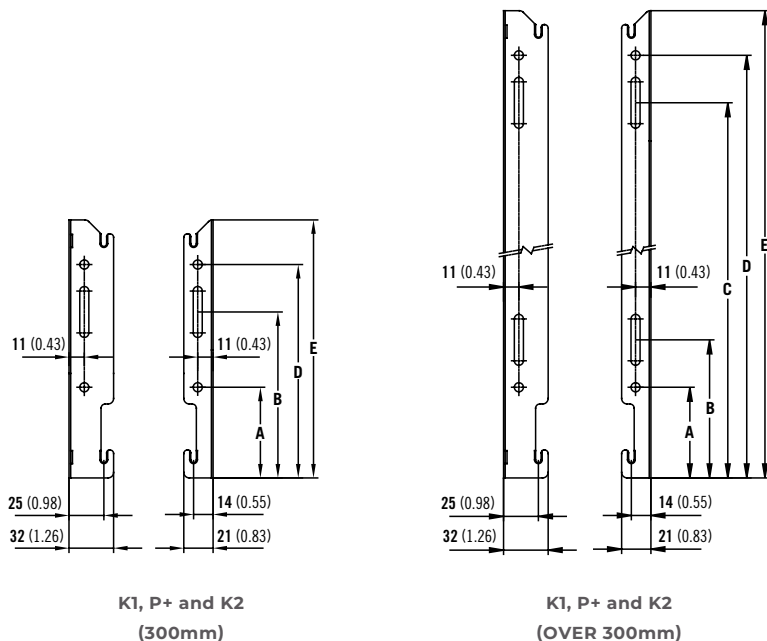
Compact bracket position. A = Closest to wall / B = Furthest from wall / (R) = Recommended mounting position

K1 long only - position B. P+ and K2 can be position A or B.

## MOUNTING BRACKETS

All dimensions in mm. Inches in brackets.

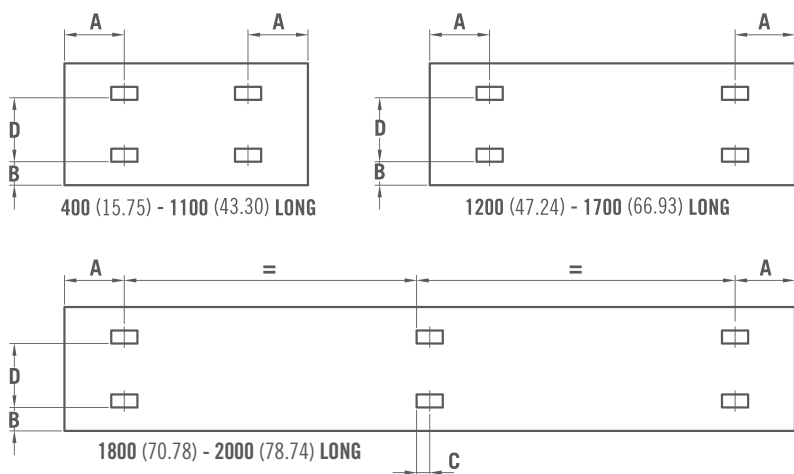
Floor mounting brackets available.



### K1, P+ AND K2 (300mm)

Dimensions	mm	inches	mm	inches	mm	inches	mm	inches
Height	300	11.81	450	17.72	600	23.62	700	27.56
<b>A</b>	65	2.56	65	2.56	65	2.56	65	2.56
<b>B</b>	119	4.69	99	3.90	99	3.90	99	3.90
<b>C</b>	-	-	269	10.59	419	16.50	519	20.43
<b>D</b>	153	6.02	303	11.93	453	17.83	553	21.77
<b>E</b>	185	7.28	335	13.19	485	19.09	585	23.03

## K1, P+ AND K2 LUG POSITION



PANEL HEIGHT		D	
mm	in	mm	in
300	11.81	155	6.10
450	17.72	305	12.01
600	23.62	455	17.91
700	27.56	555	21.95

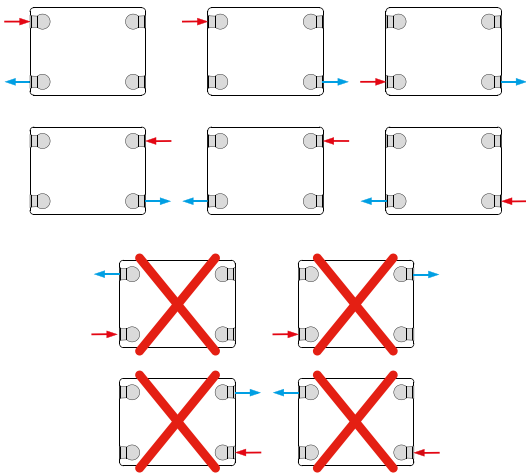
Dimensions	K1		P+ & K2	
	mm	in	mm	in
<b>A</b> 400mm	117	4.61	133	5.24
<b>A</b> 500 - 2000mm	150	5.91	133	5.24
<b>B</b> 400 - 2000mm	60	2.36	60	2.36
<b>C</b> 1800 - 2000mm	17	0.67	L/2	L/2

L/2 is the length divided by two.

## CONNECTIONS

Each radiator comes with ½" inlet connections as standard.

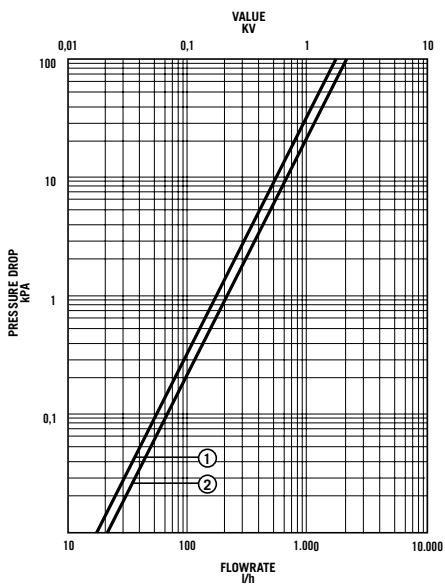
## COMPACT PIPING OPTIONS



## EN 442 CERTIFICATION DATA - CETIAT TESTED IN ACCORDANCE WITH BS EN 442

Type	K1				P+		K2			
	300	450	600	700	450	600	300	450	600	700
Height	300	450	600	700	450	600	300	450	600	700
W/m at 75/65/20	494	716	923	1052	1055	1345	982	1371	1732	1961
n-coefficients	1.27	1.28	1.29	1.31	1.33	1.34	1.33	1.33	1.33	1.34
Heated surface area (m <sup>2</sup> /m)	1.75	2.82	3.87	4.58	3.84	5.24	3.51	5.62	7.74	9.15
Weight (kg/m)	8.16	12.80	17.45	20.05	22.04	29.8	16.8	25.9	35	40.53
Water contents (l/m)	1.88	2.59	3.30	3.80	5.15	6.60	3.70	5.15	6.60	7.63
Wall to tap centre (mm)	48	48	48	48	62	62	73	73	73	73

## PRESSURE DROP



- ① Type 11 (K1)
- ② Type 21 (P+), 22 (K2)