

Control Module

The control module is designed to automatically start and stop the pump on demand, and protect it should the water supply fail.

Complete with built in non return valve the units logic control senses either a pressure drop, or minimum flow of 1 lpm to automatically start the pump when ever the pressure is released.

Should the supply become restricted or run-out then the control module will sense this and stop the pump to avoid damage.

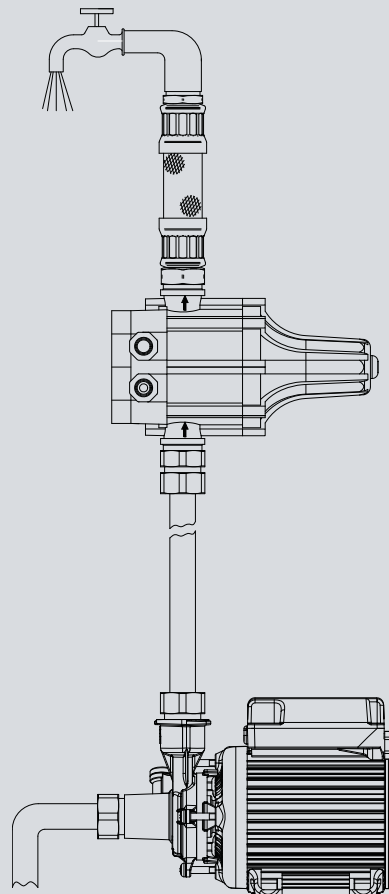
Each mode of operation is indicated on the control panel.

Features and Benefits

- Automatically controls the pump.
- Protects pump from running dry.
- LED indication of function.
- Easy to install.

Operating Conditions

Max. liquid temp.	65°C
Min. liquid temp.	4°C
Max. ambient temp.	50°C
Cut in pressure	1.4 bar
Max. working pressure	10 bar
Voltage	230V
Frequency	50-60 Hz
Max. current	6 A
Enclosure rating	IP65
Connections	1 " Male (G1)



Stuart Turner Ltd
Henley-on-Thames
Oxfordshire RG9 2AD
England
Telephone: +44 (0)1491 572655
Fax: +44 (0)1491 573704

Email:
pumps@stuart-turner.co.uk
Web:
www.stuart-turner.co.uk

V.A.T. REG. No. 199 0987 92.
Registered in England No. 88368.
Registered Office:
Market Place, Henley-on-Thames

**STUART
TURNER**