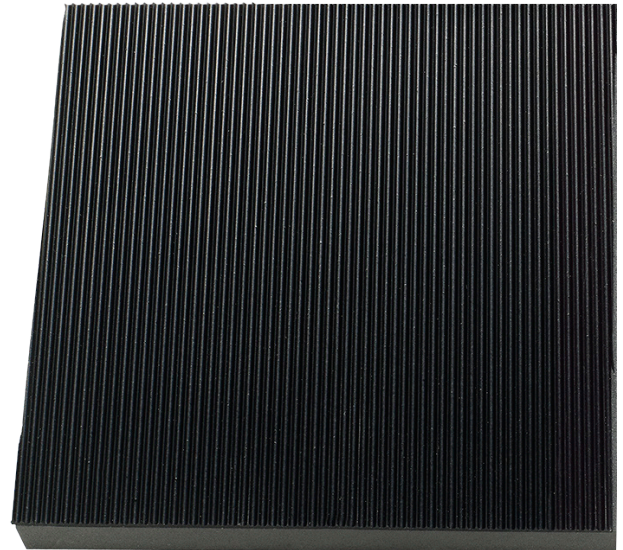


accessories

Mounting Pad

Our mounting pad provides additional sound insulation which further reduces the transfer of motor noise and vibration from a shower pump.

Manufactured from dual density layers to provide greater noise and vibration reduction.

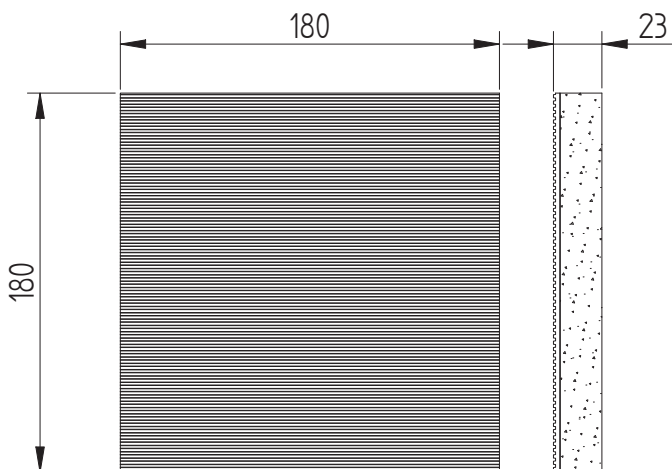


Features

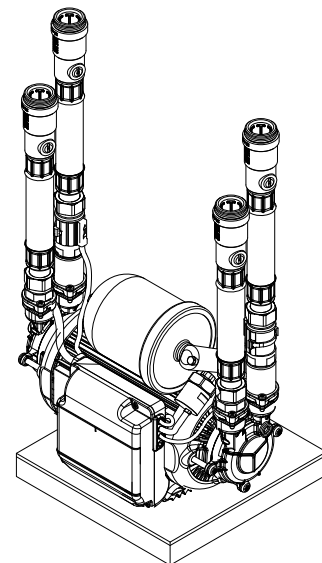
- Dual material construction
- Easy to install
- Robust and long lasting

Application

- Effectively reduces pump vibration and noise
- Suitable for use with all Monsoon, Showermate and Techflo shower and booster pumps



Product code	27124
Weight	0.2 Kg



Stuart Turner Limited reserves the right to amend specifications without notice.