

stuart

Submersible Pumps

The Supersub 150VA and 250VA Submersible pumps offer a compact design ideal for general purpose applications where space is at a premium.

A simple lever allows quick selection of manual or automatic mode of operation. Both models are supplied complete with a stepped hose union and elbow.

Neither Supersub 150VA or Supersub 250VA pumps are suitable for foul sewage.

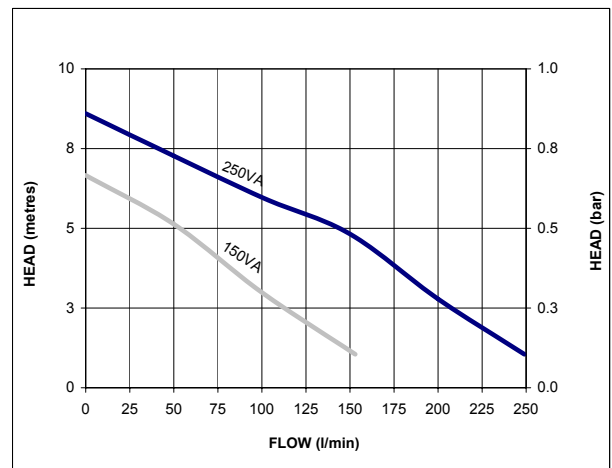


Features

- Automatic-vertical float switch
- Switch for automatic/manual mode
- Suction to a remaining depth of 3-6 mm (manual mode)
- Suction to a remaining depth of 75 mm (auto mode)
- Passes suspended particles up to 5 mm diameter
- Motor can be partially submerged for short term operation
- Top vertical outlet connection

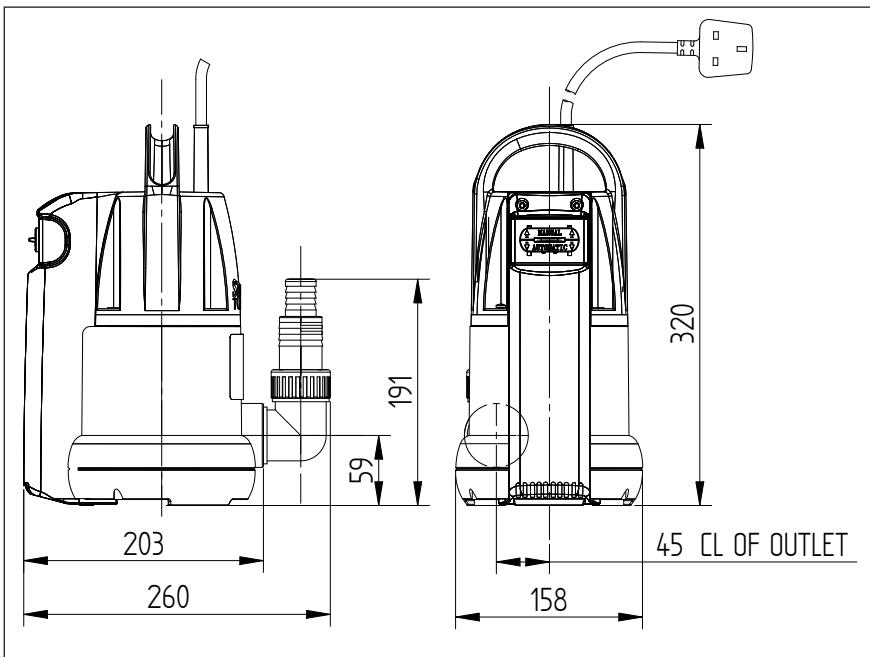
Application

- The Supersub 150VA and 250VA are both ideal for transfer of rain, dirty or waste water, where automatic control is required in a confined space such as cellar drainage



stuart

Pump Model		Supersub 150VA 46538	Supersub 250VA 46539
General	Guarantee	1 year	
Features	Pump type	Submersible	
	Seal	Double lip	
	Automatic and manual mode	✓	✓
	Automatic float switch	✓	✓
Performance	Maximum head (closed valve)	6.5 metres	8.5 metres
	Maximum immersion depth	7 metres	
	Minimum immersion depth	Fully submerged	
	Performance @ 50 l/min	5.0 metres	7.5 metres
	Performance @ 100 l/min	3.5 metres	6.5 metres
	Maximum flow	150 l/min	250 l/min
	Min / Max water temperature	Min 4 °C / Max 35 °C	
Connections	Pump connections	G 1½ female	
	Hose Connector	G 1½ male x G 1½ female x 25 or 32 mm bore hose	
Motor	Type	Induction, auto-reset thermal trip	
	Duty rating	Continuous	
Electrical	Power supply / phase / frequency	230 V a.c. / 1 / 50 Hz	
	Current (full load)	1.2 Amps	2.2 Amps
	Power consumption	275 Watts	508 Watts
	Fuse rating	13 Amps	
	Power cable (pre-wired)	10 metres	
Physical	Enclosure protection	IPX8	
	Length	260 mm	
	Width	158 mm	
	Height (excluding hoses)	320 mm	
	Weight (including fittings)	4.2 Kg	5.0 Kg
Optional accessories	Lay flat hose 32 mm x 5 m	Pt No 19965	
	Lay flat hose 32 mm x 10 m	Pt No 19966	



Stuart Turner Limited reserves the right to amend specifications without notice.