



**Tigo**<sup>®</sup>

## **Installation Manual**

TS4 UHD-Core with TAP and CCA

# IMPORTANT SAFETY INSTRUCTIONS

## LETHAL VOLTAGE MAY BE PRESENT IN ANY PV INSTALLATION

### SAVE THESE INSTRUCTIONS

- This manual contains important instructions for installation and maintenance of the Tigo product models TS4-L, TS4-O, TS4-S, TS4-M, TS4-A-O, TS4-A-O-Duo, TS4-R-O, TS4-R-S, TS4-R-M, TS4-R-O-Duo, TS4-R-S-Duo, TS4-R-M-Duo, Tigo Access Point (TAP), Cloud Connect Advanced (CCA), and related Tigo software and mobile applications.
- Risk of electric shock, do not remove cover, disassemble, or repair, no user serviceable parts inside. Refer servicing to qualified service personnel.
- Before installing or using the Tigo System, please read all instructions and warning markings on the Tigo products, appropriate sections of your inverter manual, photovoltaic (PV) module installation manual, and other available safety guides.
- Failure to adhere to these instructions may result in injury or death, damage to the system, or voiding the factory warranty.
- To reduce risk of fire and shock hazard, install this device with strict adherence to National Electric Code (NEC) ANSI/NFPA 70 and/or local electrical codes. When the photovoltaic array is exposed to light, it supplies a DC voltage to the Tigo TS4 units. The TS4 units start in the "ON" state and their output voltage may be as high as the PV module open circuit voltage ( $V_{oc}$ ) when connected to the module. The installer should use the same caution when handling electrical cables from a PV module with or without the TS4 units attached.
- Installation must be performed by trained professionals only. Tigo does not assume liability for loss or damage resulting from improper handling, installation, or misuse of products.
- Remove all metallic jewelry prior to installing the Tigo TS4 units to reduce the risk of contacting live circuitry. Do not attempt to install in inclement weather.
- Do not operate the Tigo TS4 units if they have been physically damaged. Check existing cables and connectors, ensuring they are in good condition and appropriate in rating. Do not operate Tigo TS4 units with damaged or substandard wiring or connectors. Tigo TS4 units must be mounted on the high end of the PV module backsheet or racking system, and in any case above ground.
- Do not connect or disconnect under load. Turning off the Inverter and/or the Tigo products may not reduce this risk. Internal capacitors within the inverter can remain charged for several minutes after disconnecting all power sources. Verify capacitors have discharged by measuring voltage across inverter terminals prior to disconnecting wiring if service is required. Wait 30 seconds after shutdown activation before disconnecting DC cables or turning off DC disconnect.
- Always assume TS4 units are in "ON" state, or may turn on when restarting.
- The CCA must be on the same AC branch circuit as the inverter to meet shutdown requirements.

# TABLE OF CONTENTS

Tigo System Overview	4	Configure Module Layout	28
TS4 Flex MLPE Versions	5	Connect CCA To Smartphone	29
TS4 Flex MLPE Functions	6	Configure Network Settings – Connect CCA To Internet	30
Communication Accessories	7	Commission The TS4 Units – Run Discovery	30
System Overview: TS4-B	8	String Design With TS4	31
System Overview: TS4-R	9	Appendix	
System Overview: TS4-A	10	Product Specifications, Shutdown, String Sizing with TS4-L	32
System Overview: TS4-A-Duo	11	Technical Specifications – Smart Module with TS4-B	33
MLPE Installation Notes	12	Technical Specifications – TS4-R	34
TS4-B Installation	13	Technical Specifications – TS4-A	35
TS4-R Installation	14	Technical Specifications – TS4-R-Duo	36
TS4-A Installation	15	Technical Specifications – TS4-A-Duo	37
TS4-A-Duo Installation	16	Technical Specifications – CCA & TAP	38
Communication Installation	17	Testing Shutdown	39
TAP Installation - Mesh Configuration	18	String Sizing With TS4-L	40
TAP Placement Example - Mesh	19	TAP Placement - Legacy (Pre-Mesh)	41
CCA Installation	20	Miscellaneous	42
CCA LED Status Guide	21	Installation Complete	43
CCA & TAP Wiring	22		
Modbus RS-485 Wiring Diagram & Configuration Template	23		
Configuration, Registration, & Commissioning	24		
Tigo SMART App	25		
Getting Started	26		
Select Equipment	27		

# TIGO SYSTEM OVERVIEW

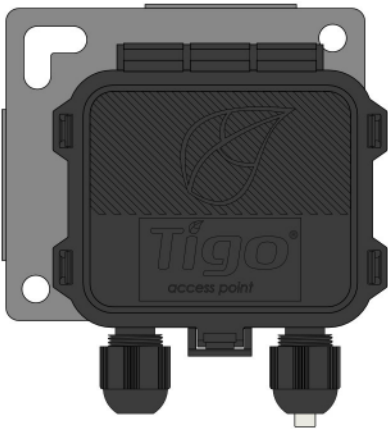
Module Level Power Electronics:



## TS4

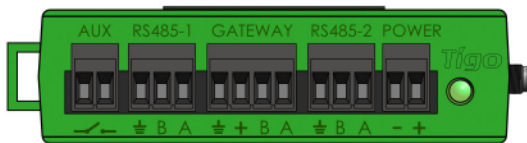
Modular smart electronics platform

Communication Accessories:



## Tigo Access Point (TAP)

Wireless communication device for monitoring and shutdown features



## Cloud Connect Advanced (CCA)

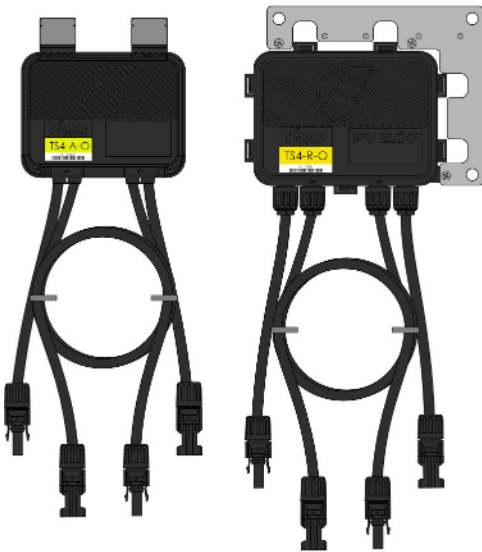
Data logger and shutdown control

# TS4 FLEX MLPE VERSIONS



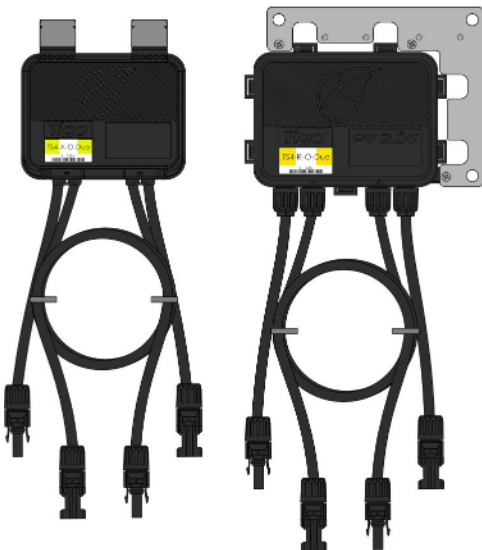
## TS4-B

- Module electronics are contained in the junction box, installed at the PV module factory
- Connected in series like regular modules
- No additional wiring connections to make



## TS4-A, TS4-R

- Bracket clips to module frame without tools
- TS4-R outputs are connected in series to form a string
- No additional grounding required



## TS4-A-Duo, TS4-R-Duo

- Bracket clips to module frame without tools
- Designed to fit two 60 cell modules in series to one TS4-A-Duo or TS4-R-Duo
- TS4-A-Duo or TS4-R-Duo outputs are connected in series to form a string
- No additional grounding required

# TS4 FLEX MLPE FUNCTIONS

The TS4 Flex MLPE platform is incremental in functionality. Select the TS4 version with features that best address the needs of your project.

## TS4-M



- Reduced O&M costs
- PV-2.0 data synchronization
- Module bar code tracking

- CRM integration
- Warranty tracking
- Fleet management

## TS4-S



- Module-level deactivation
- Automatic or manual shutdown

- Plus all the benefits of TS4-M

## TS4-O



- Shade and mismatch tolerance
- Enhanced energy yield
- Greater design flexibility

- Maximized roof usage
- Plus all the benefits of TS4-S and Ts4-M

## TS4-L

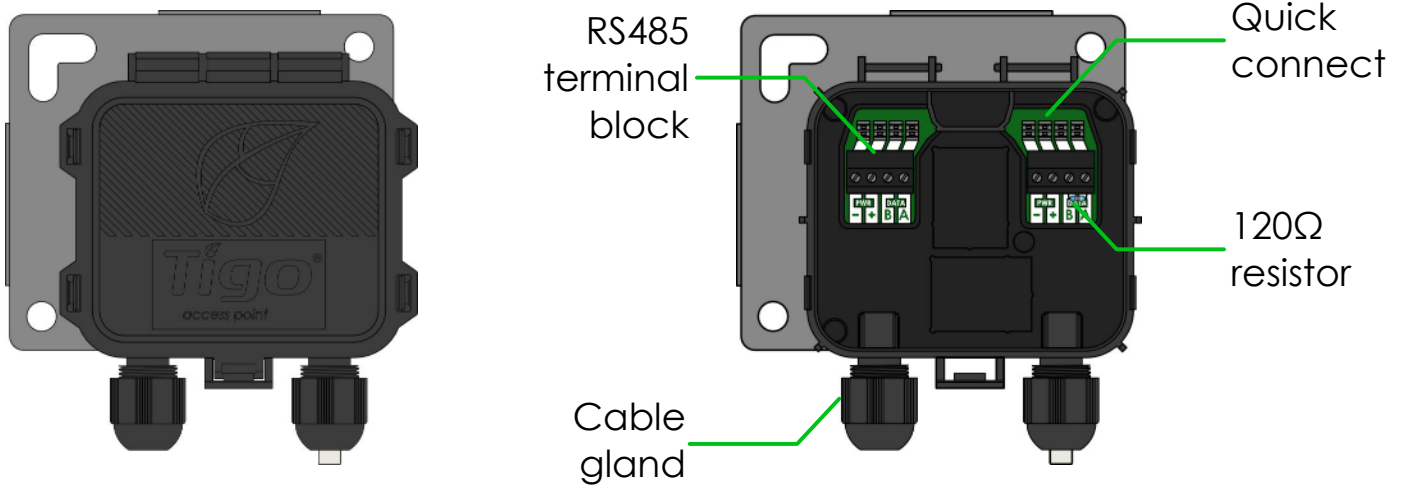


- String length increased by up to 30%
- Fewer BOS components
- Faster installation

- Inverter optimization
- Lower wire-losses
- Plus all the benefits of TS4-O, TS4-S, and TS4-M

# COMMUNICATION ACCESSORIES

## Tigo Access Point (TAP)



### Mesh configuration:

- 300 TS4 units per TAP
- 900 TS4 units per CCA
- 7 TAPs per CCA

### Wireless range:

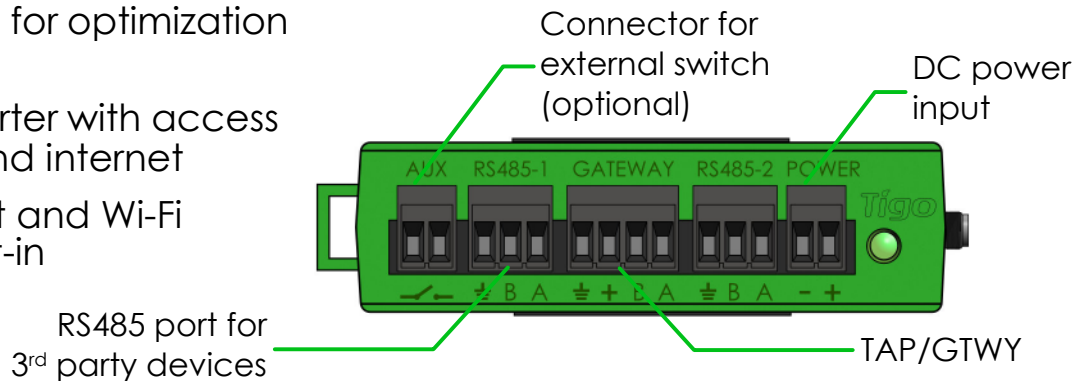
- 33ft (10m) max between TAP and closest TS4 unit
- 115ft (35m) max between TAP and farthest TS4 unit using mesh

### Legacy configuration:

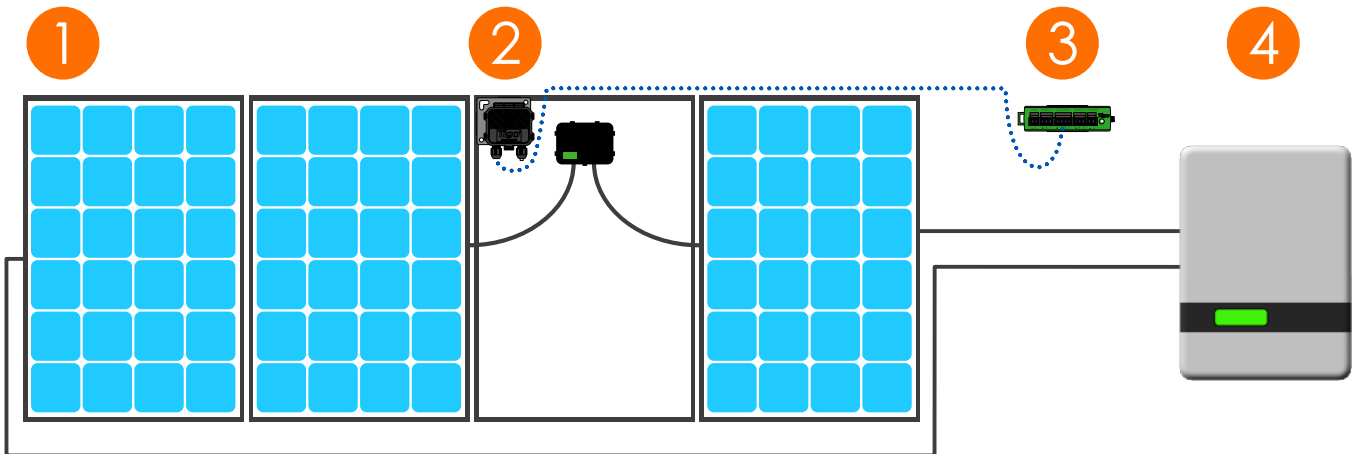
- Same as Gateway, see [appendix](#) for more details

## Cloud Connect Advanced (CCA)

- CCA is required for monitoring and shutdown
- CCA is optional for optimization and long strings
- Install near inverter with access to AC power and internet
  - Ethernet and Wi-Fi are built-in



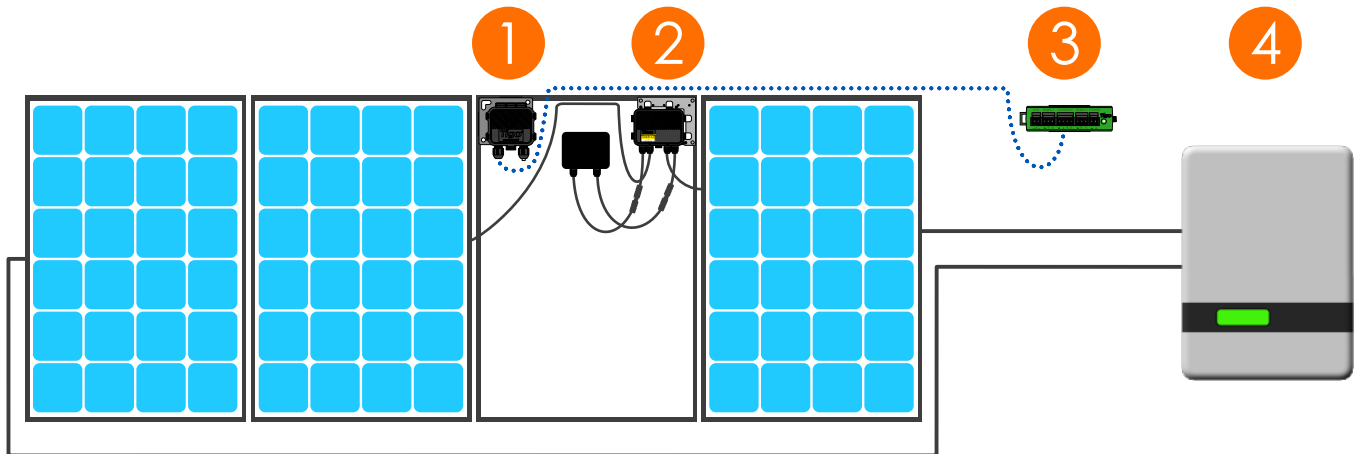
# SYSTEM OVERVIEW: TS4-B



1. Modules with integrated TS4
2. Tigo Access Point (TAP)
3. Cloud Connect Advanced (CCA)
4. Inverter



# SYSTEM OVERVIEW: TS4-R

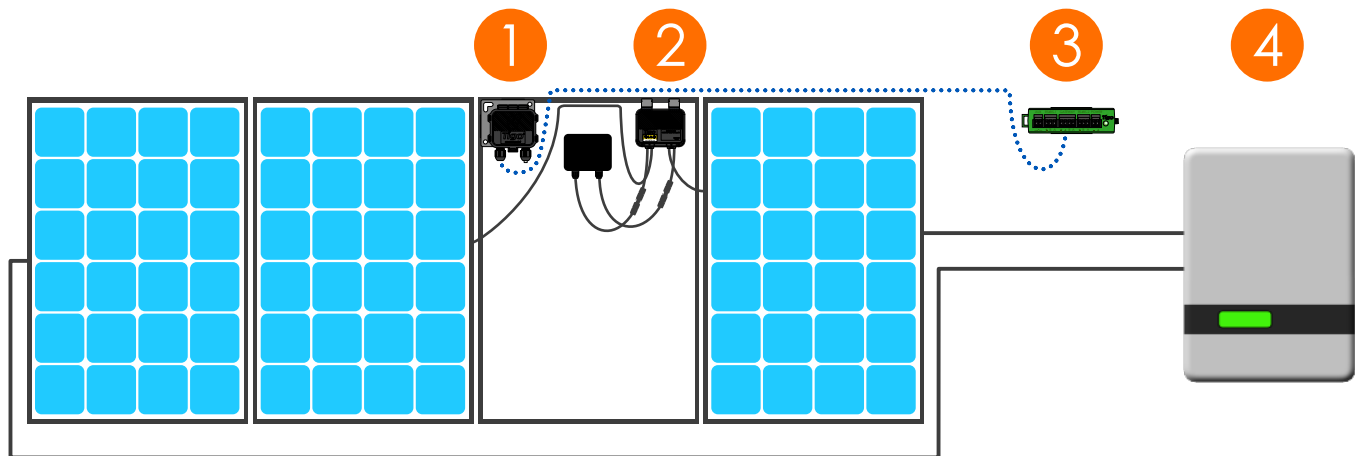


1. Tigo Access Point (TAP)
2. TS4-R installed on standard module
3. Cloud Connect Advanced (CCA)
4. Inverter

## **Note: connect modules to TS4-R inputs before connecting outputs**

- TS4-R mounting is recommended on the upper right as shown, but can be placed on upper left if needed (due to racking constraints, etc.)
- TS4-R cable glands must not be facing up
- Allow clearance between PV module and mounting surface for air circulation around TS4-R
- Do not drill additional mounting holes in the frame or metal bracket

# SYSTEM OVERVIEW: TS4-A

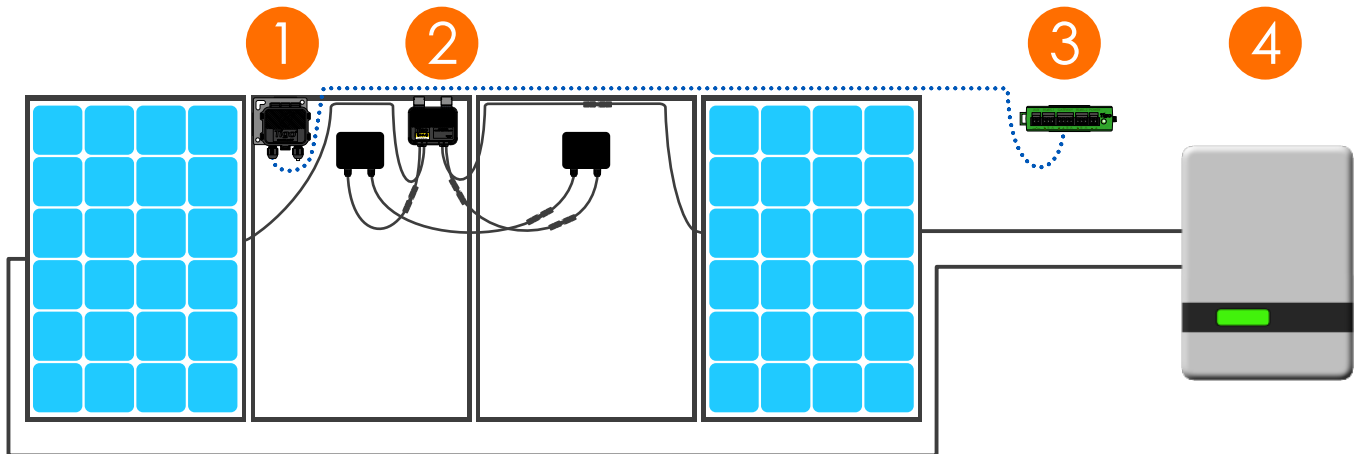


1. Tigo Access Point (TAP)
2. TS4-A installed on standard module
3. Cloud Connect Advanced (CCA)
4. Inverter

## **Note: connect modules to TS4-A inputs before connecting outputs**

- TS4-A mounting is recommended on the upper right as shown, but can be placed on upper left if needed (due to racking constraints, etc.)
- TS4-A cable glands must not be facing up
- Allow clearance between PV module and mounting surface for air circulation around TS4-A
- Do not drill additional mounting holes in the frame or metal bracket

# SYSTEM OVERVIEW: TS4-A-DUO



1. Tigo Access Point (TAP)
2. TS4-A-O-Duo installed on pair of standard modules (modules are connected in series to TS4 inputs)
3. Cloud Connect Advanced (CCA)
4. Inverter

## **Note: connect modules to TS4-A inputs before connecting outputs**

- TS4-A mounting is recommended on the upper right as shown, but can be placed on upper left if needed (due to racking constraints, etc.)
- TS4-A cable glands must not be facing up
- Allow clearance between PV module and mounting surface for air circulation around TS4-A
- Do not drill additional mounting holes in the frame or metal bracket

# MLPE INSTALLATION NOTES

- Note: The following TS4 products are shipped in the ON position:
  - TS4-M, TS4-S, TS4-O, TS4-L
  - TS4-A-O, TS4-A-O-Duo
  - TS4-R-M, TS4-R-S, TS4-R-O
  - TS4-R-M-Duo, TS4-R-S-Duo, TS4-R-O-Duo
- Upon exposure of the PV module to sunlight high voltage is present. Handle with the appropriate precautionary measures.
- Optimization and Long Strings features don't require communication accessories in order to work.
- To enable Monitoring and Shutdown features:
  - Collect the TS4 removable barcode label from the PV module junction box.



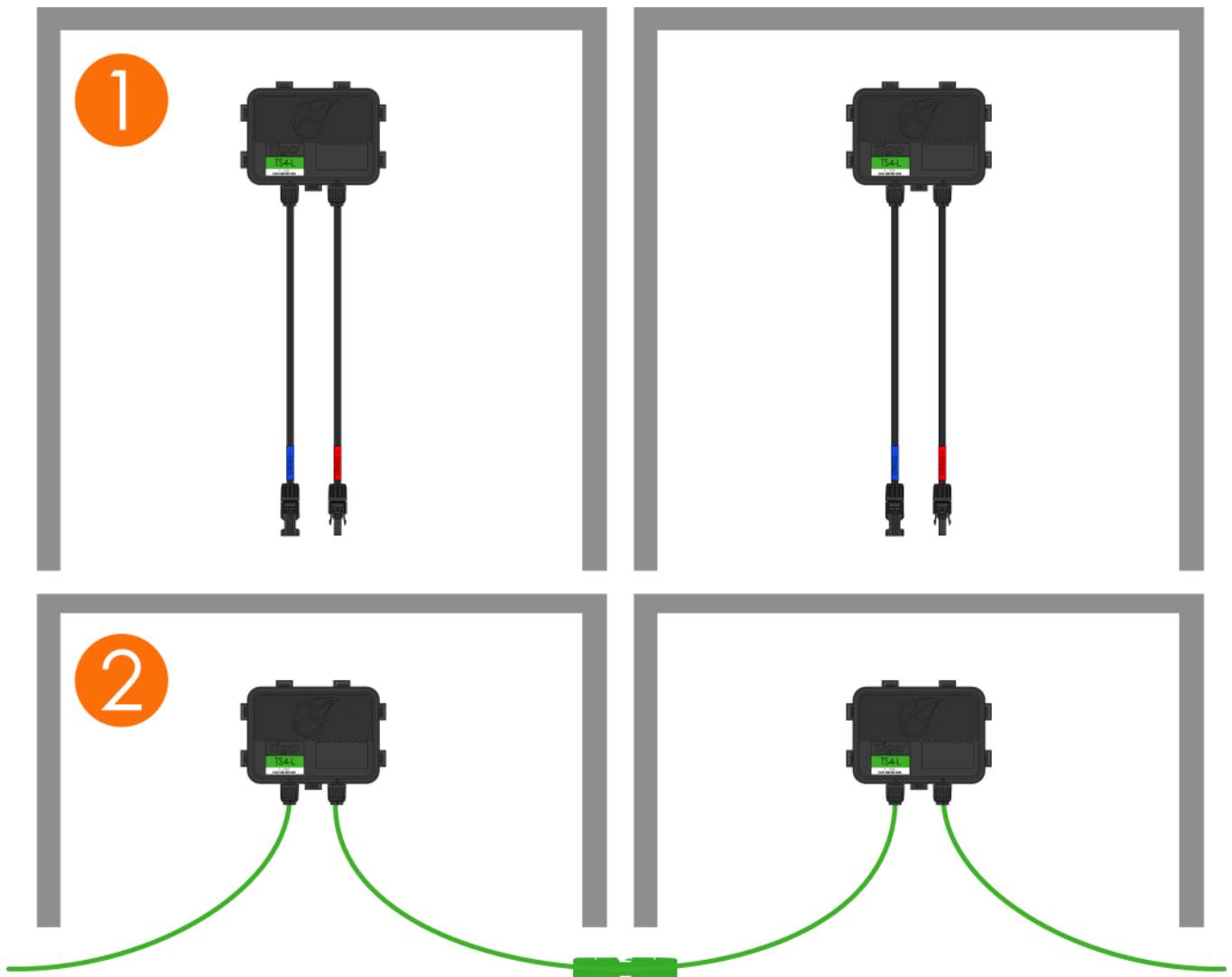
- Install and commission communication accessories.

**With add-on units, failing to follow the sequence of installation steps may result in TS4 damage not covered under warranty.**

# TS4-B INSTALLATION

Smart modules with an integrated TS4 junction box are installed and connected in series just like standard PV modules.

No additional grounding is required for the TS4 units.



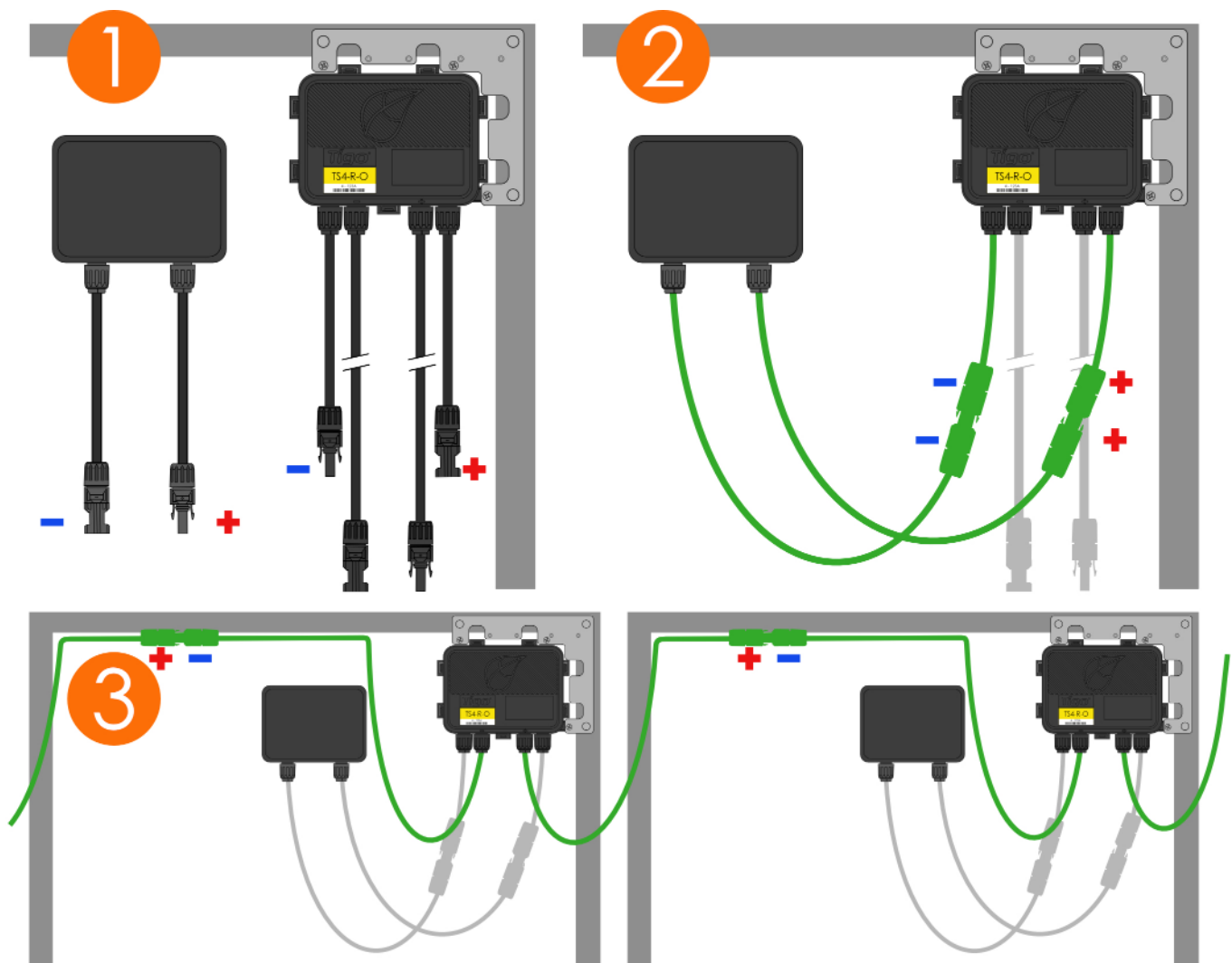
# TS4-R INSTALLATION

Standard modules can be equipped with TS4-R add-on units as shown below.

**Always connect modules to TS4-R inputs before connecting outputs.**

Each TS4-R must have a PV module connected to its inputs before connecting the outputs of TS4-R units in series.

To disconnect TS4-R from a module, disconnect the TS4-R outputs from the string before disconnecting the TS4-R inputs from the module junction box.



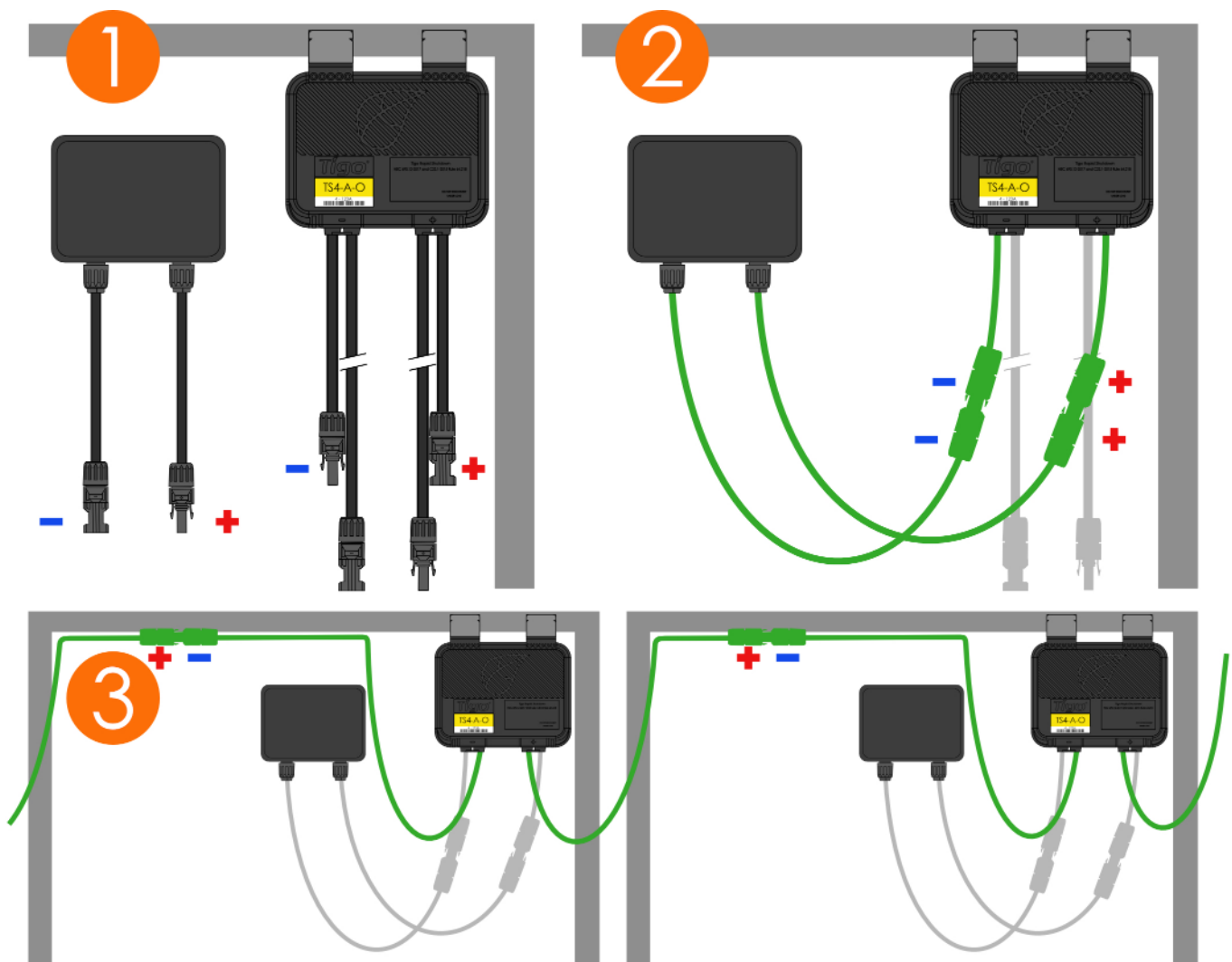
# TS4-A INSTALLATION

Standard modules can be equipped with TS4-A add-on units as shown below.

**Always connect modules to TS4-A inputs before connecting outputs.**

Each TS4-A must have a PV module connected to its inputs before connecting the outputs of TS4-A units in series.

To disconnect TS4-A from a module, disconnect the TS4-A outputs from the string before disconnecting the TS4-A inputs from the module junction box.



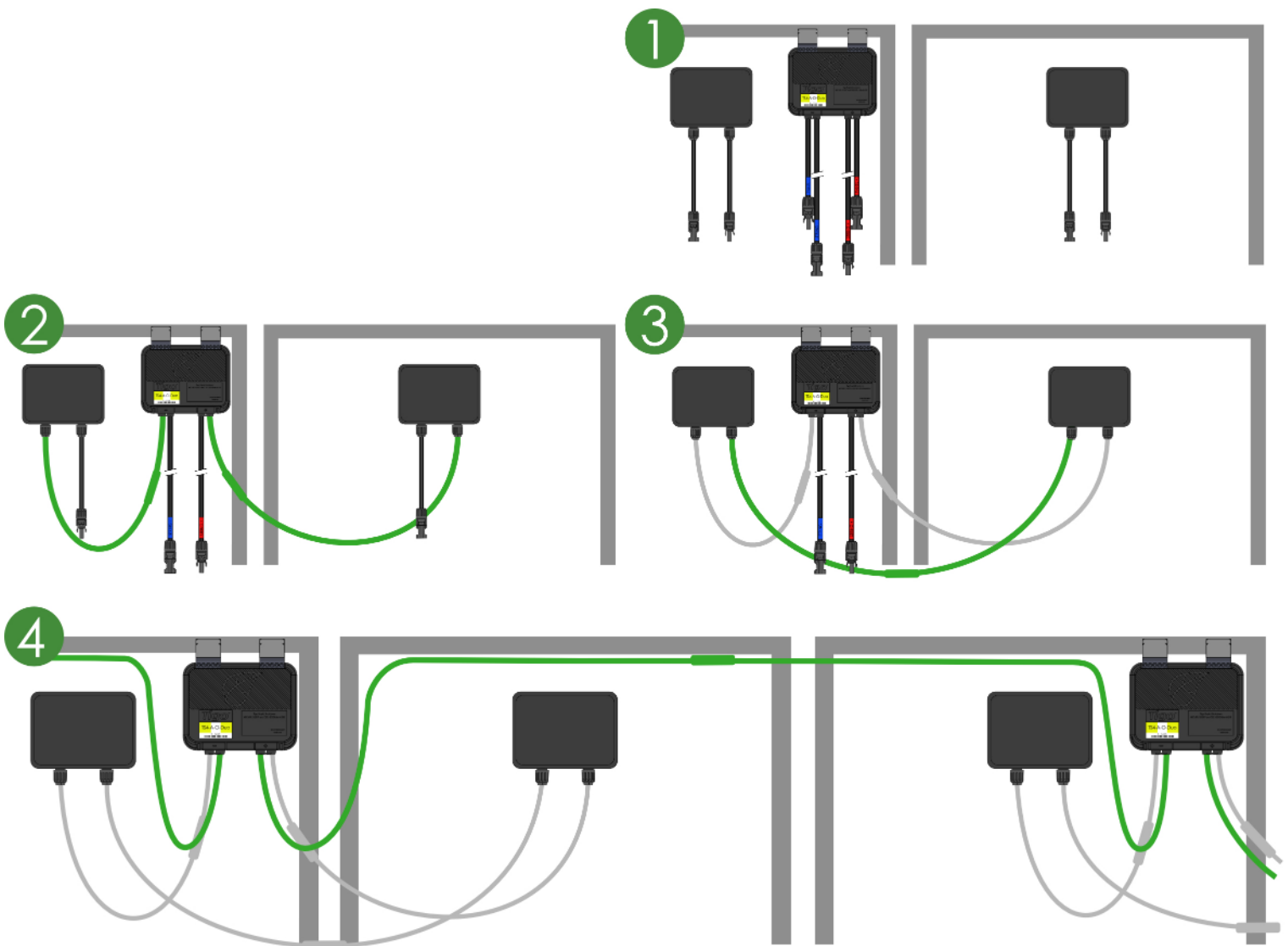
# TS4-A-DUO INSTALLATION

Standard modules can be equipped with TS4-A-Duo add-on units as shown below.

**Always connect modules to TS4-A inputs before connecting outputs.**

TS4-A-Duo must have a PV module connected to its inputs before connecting the outputs of TS4-A-Duo units in series.

To disconnect TS4-A-Duo from a module, disconnect the TS4-A-Duo outputs from the string before disconnecting the TS4-A-Duo inputs from the module junction box.





# COMMUNICATION INSTALLATION

## COMMUNICATION DESIGN RULES

- MESH CONFIGURATION
  - 300 TS4 units per TAP
  - 900 TS4 units per CCA
  - 7 TAPs per CCA
  - 33ft (10m) max between TAP and closest TS4 unit
  - 115ft (35m) max wireless range using mesh
    - No more than 10m between TS4 units on same TAP
- LEGACY CONFIGURATION
  - 120 TS4 units per TAP
  - 360 TS4 units per CCA
  - 7 TAPs per CCA
  - 50ft (15m) radius with line of sight between TAP & all TS4 units

Wireless signal range can be affected by solid obstructions. Refer to [TAP Placement Guide](#) for more information.

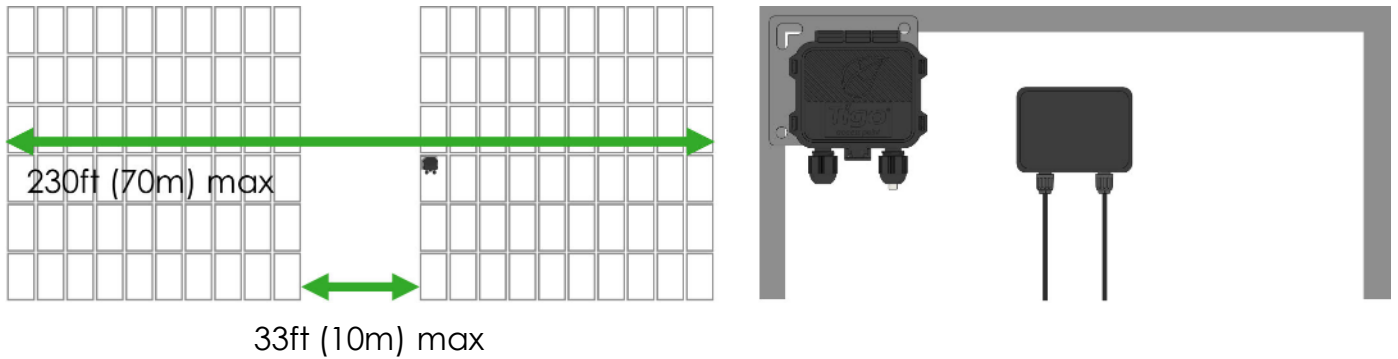
## NOTES

- All TS4 units in the same string must be assigned to the same CCA.
- For further design information, [click here](#).

## CCA and TAP CALCULATOR

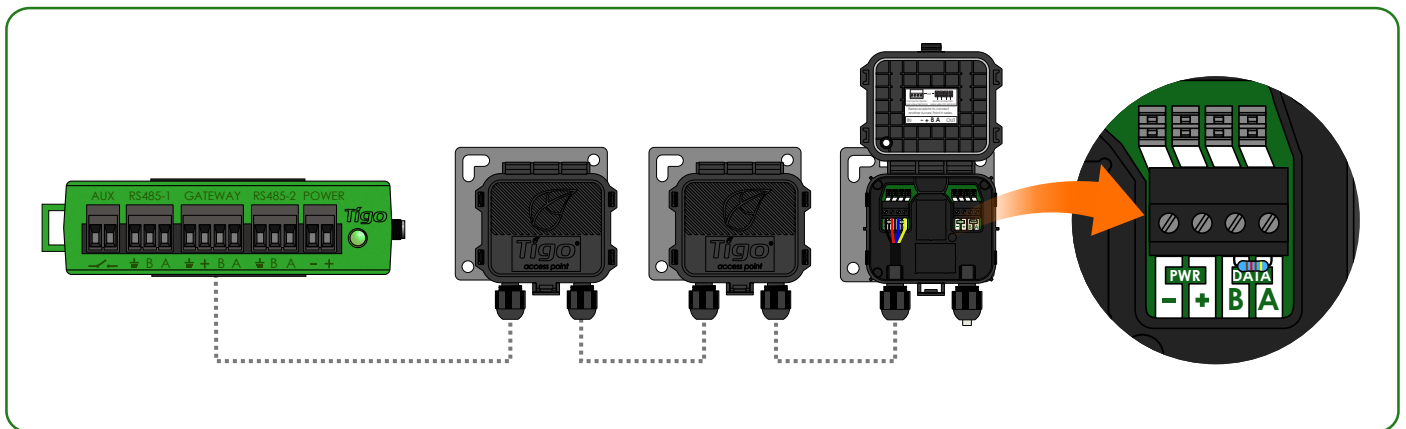
- To estimate the number of CCAs and TAPs required for your project, [click here](#).

# TAP INSTALLATION - MESH CONFIGURATION



Place TAP within 10m of any TS4 unit in the array, with a maximum distance of 10m between TS4 units and 35m from TAP to farthest TS4.

TAP attaches to module frame using built-in bracket. Mounting holes are also available in case of frameless modules.

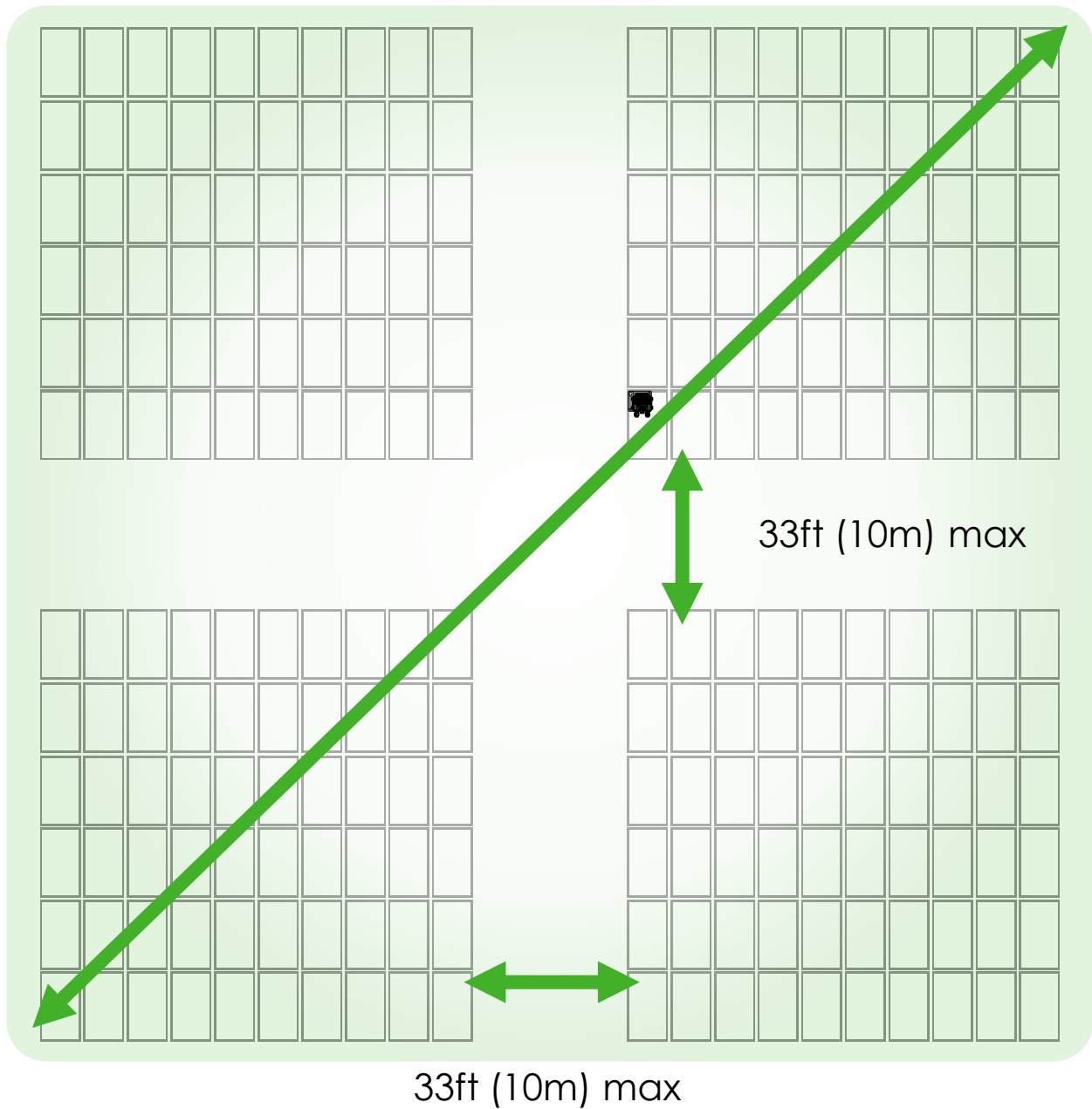


Connect multiple TAP units in series and leave terminating resistor in final TAP only. Use 4-conductor RS485 (18-22 AWG) cable between TAP and CCA.

[Click here](#) for more information on TAP placement.

# TAP PLACEMENT EXAMPLE - MESH

230ft (70m) max



Place TAP within 10m of any TS4 unit in the array.

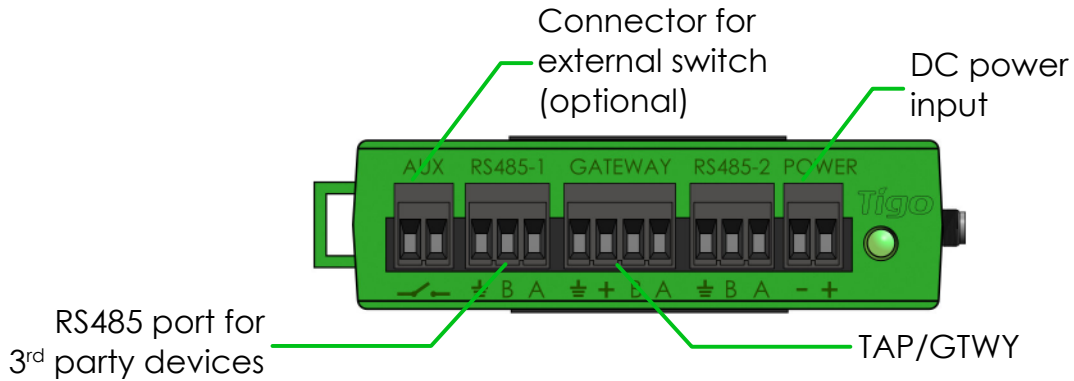
Maximum distance of 10m between TS4 units that belong to a single TAP.

Maximum distance of 35m (115ft) between TAP and farthest TS4 unit.

Connect multiple TAPs in series for larger arrays.

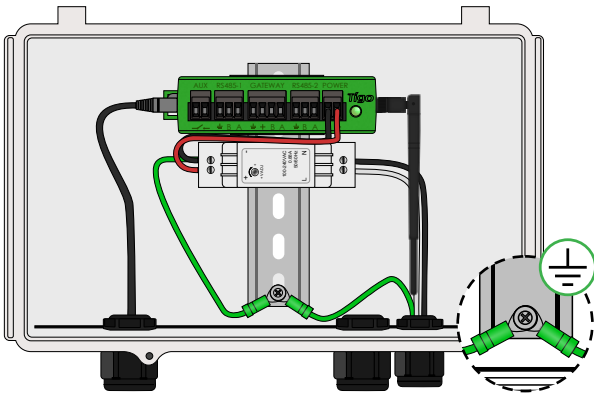
# CCA INSTALLATION

- CCA is required for monitoring and shutdown
- Optional for optimization and long strings
- Install near inverter with access to AC power and internet
  - Ethernet and Wi-Fi are built-in

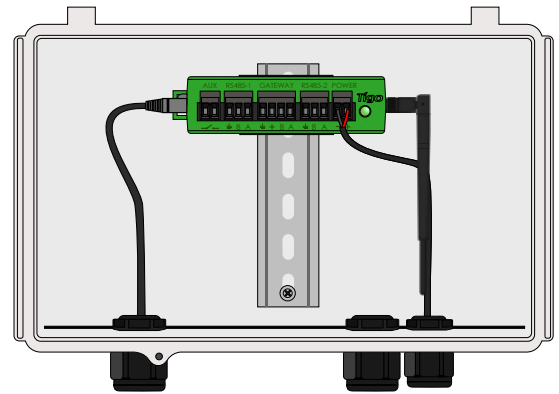


## CCA and TAP are required for Shutdown control

Install CCA on same AC main service as inverter for automatic activation in case of AC grid loss



CCA with DIN rail power supply



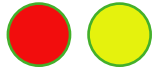
CCA with DC transformer

- Connect DC leads from power supply to CCA
  - Connect AC and DC ground wires to DIN rail
  - Connect AC power input to power supply
- Connect DC leads from power supply to CCA

## Complete TAP wiring connections before powering on CCA

# CCA LED STATUS GUIDE

## Auto PV-Off



- A blinking red and yellow LED indicates that the system automatically entered PV-Off mode.

## Error



- A solid red LED indicates that the Discovery process failed or that the CCA is not able to connect to the Tigo server. In case of errors, connect to the CCA using the mobile app for more details.

## User PV-Off



- A blinking green and yellow LED indicates that PV-Off mode was activated manually.

## Warning



- A solid yellow LED indicates that: Discovery has not been run, Discovery completed but did not find all expected TAPs or TS4 units, or CCA is not able to upload data. Connect to the CCA using the Tigo SMART app for more details.

## SMART App Activity



- A blinking green LED indicates that the mobile app is connected to the CCA and is actively in use.

## System OK



- A solid green LED indicates that Discovery is complete and found all expected TAPs and TS4 units, and CCA is able to connect to the Tigo server.

## Discovery

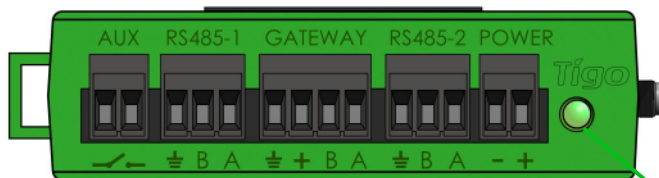


- A blinking yellow LED indicates that the CCA is scanning for TAPs and TS4 units (part of the commissioning process).

## Power Off / No Status

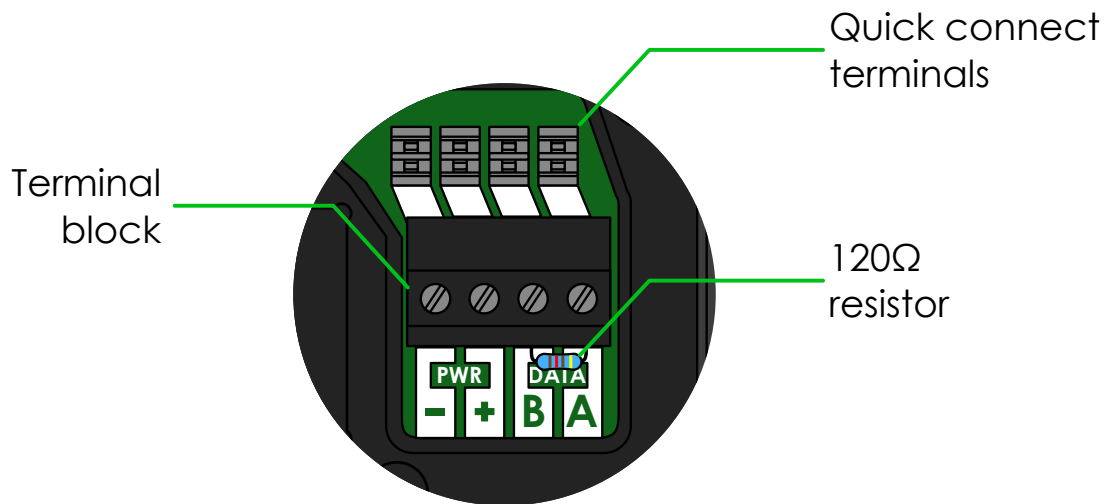
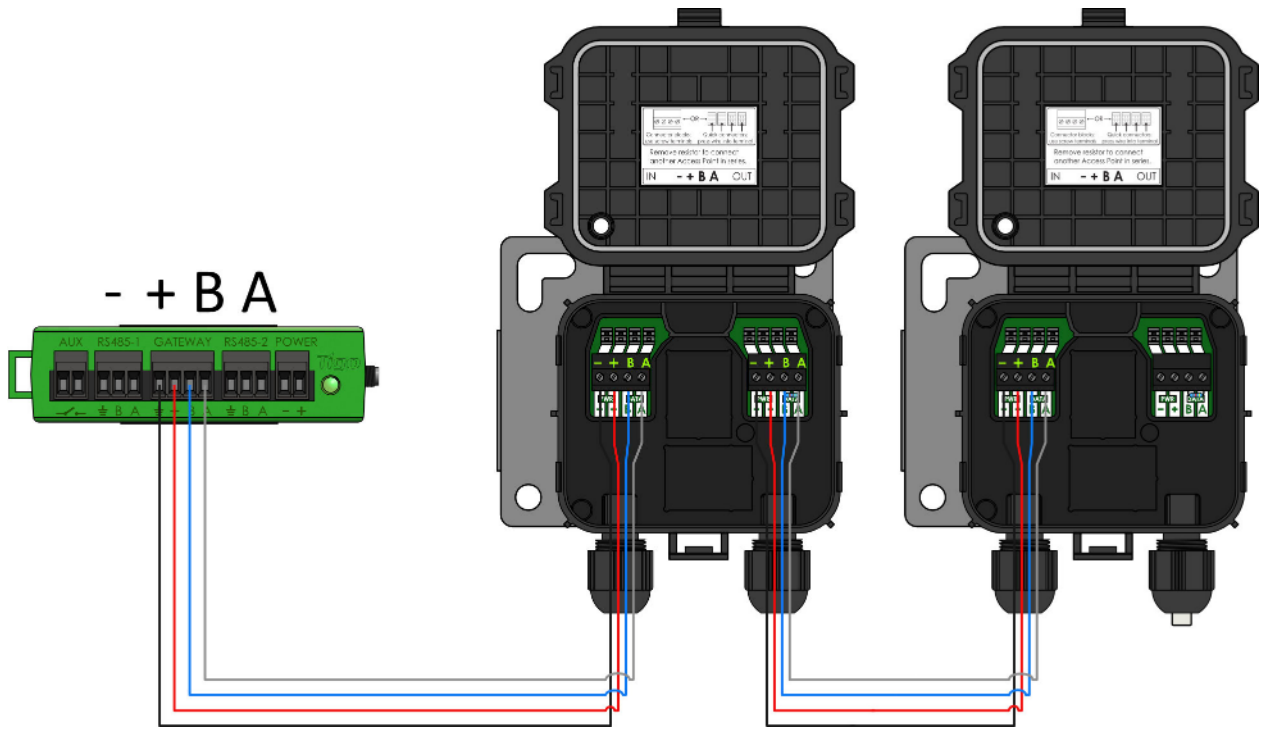


- An unlit LED indicates that the CCA is powered off.



Status LED

# CCA & TAP WIRING



Connect multiple TAP units in series and leave terminating resistor only in final TAP.

If using the quick connectors, remove the terminal block from the TAP and strip approximately 3cm of insulation from the end of the cable.

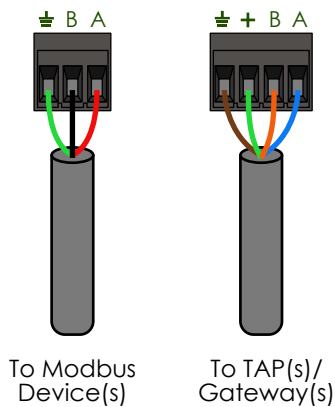
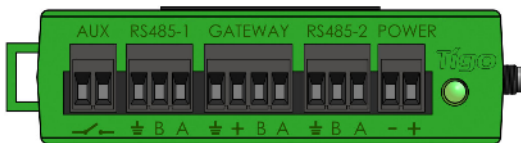
Use a small flathead screwdriver to press the conductors into the quick connectors. The individual conductors do not require stripped ends.

**Connect all communication cables before powering on CCA.**

# MODBUS RS-485 WIRING DIAGRAM & CONFIGURATION TEMPLATE

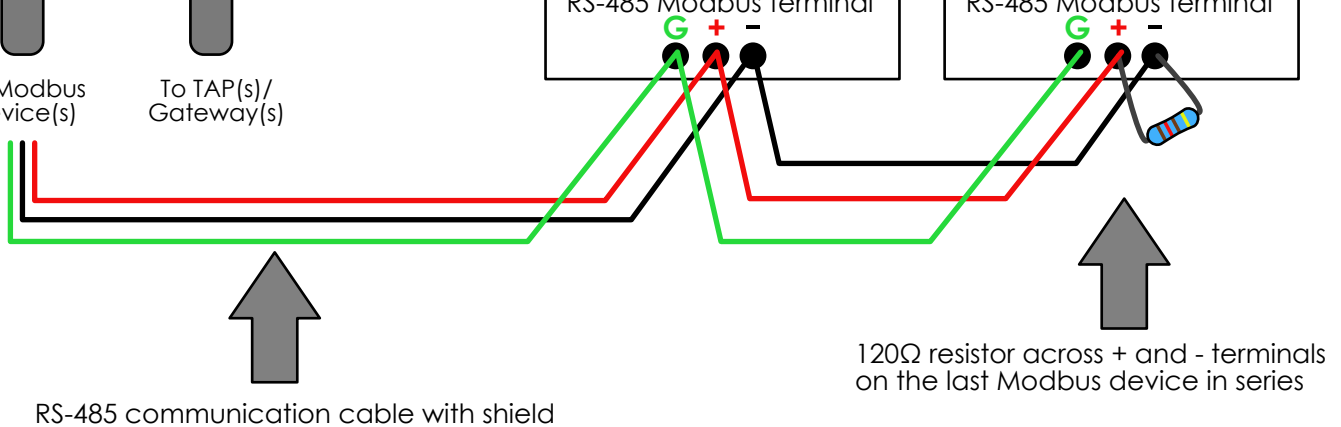
- Up to 32 Modbus RS-485 devices can be connected to a single Cloud Connect/CCA
- All devices must have a unique Modbus address
- All devices connected in series must have the same baud rate, parity, and stop bit settings
- Check device manual for Modbus settings

Cloud Connect Advanced (CCA)



Modbus Device #1		
Manufacturer:	_____	
Model:	_____	
Type of Device:	_____	
Electrical Voltage:	_____	
Single or 3 Phase:	_____	
CT Rating:	_____	
Modbus Address:	_____	
Baud Rate:	_____	
Parity:	_____	
Stop Bits:	_____	
RS-485 Modbus terminal		
G	+	-

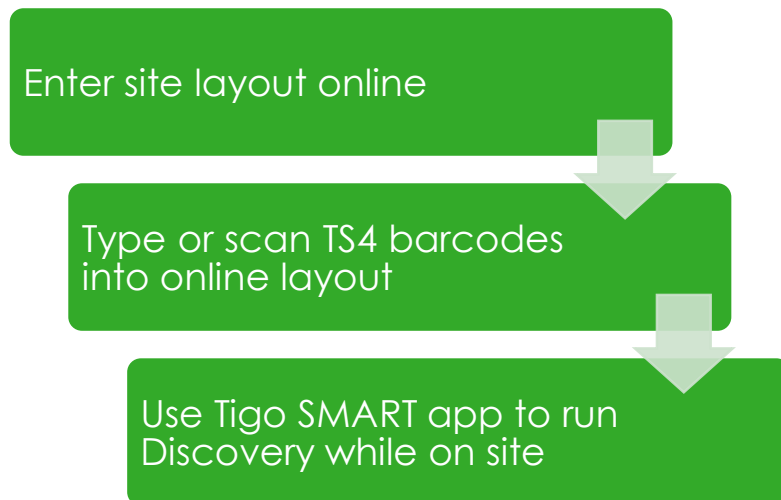
Modbus Device #2		
Manufacturer:	_____	
Model:	_____	
Type of Device:	_____	
Electrical Voltage:	_____	
Single or 3 Phase:	_____	
CT Rating:	_____	
Modbus Address:	_____	
Baud Rate:	_____	
Parity:	_____	
Stop Bits:	_____	
RS-485 Modbus terminal		
G	+	-



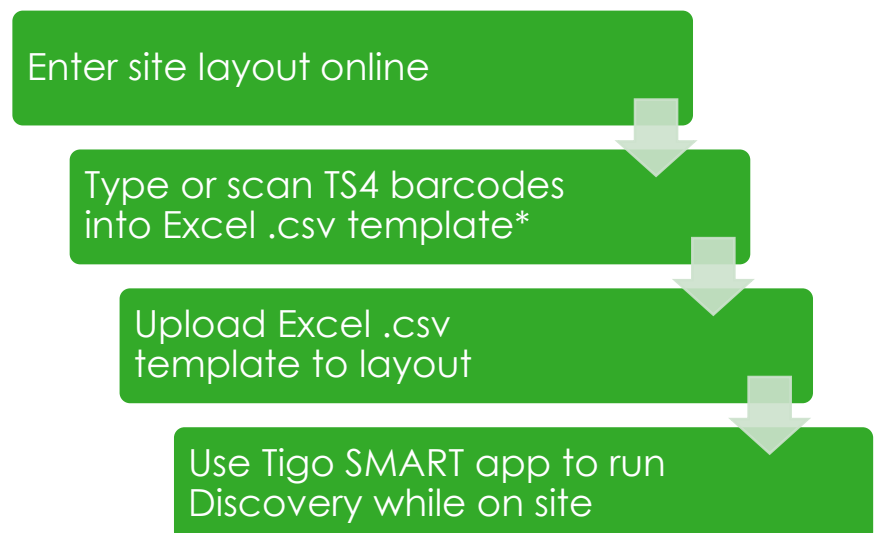
# CONFIGURATION, REGISTRATION, & COMMISSIONING

- Residential systems can perform configuration, registration, and commissioning via the Tigo SMART App.
- Non-residential systems should perform site configuration online at <https://smart.tigoenergy.com>.

Recommended procedure:



OR



\* Download the pre-formatted .csv template from the Layout step of the site builder



# TIGO SMART APP

## *Commissioning a new system using the Tigo App 3.0*

Use the Tigo SMART app to:

- Create a system
- Input owner info
- Enter inverter & module types
- Configure layout and scan barcodes
- Configure network
- Commission Tigo hardware
- Monitor production



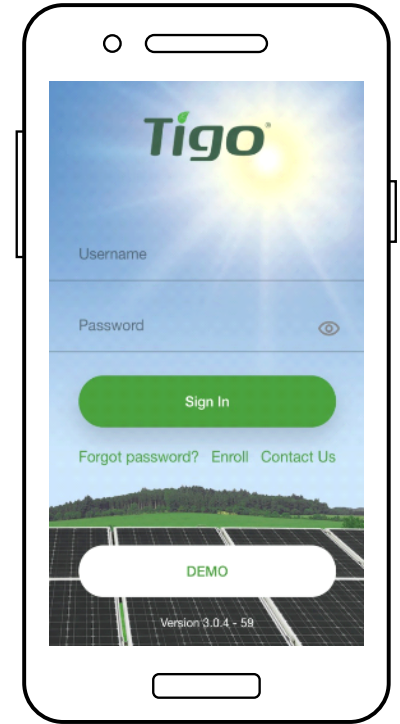
Install 'Tigo SMART' from the App Store or Google Play



# GETTING STARTED

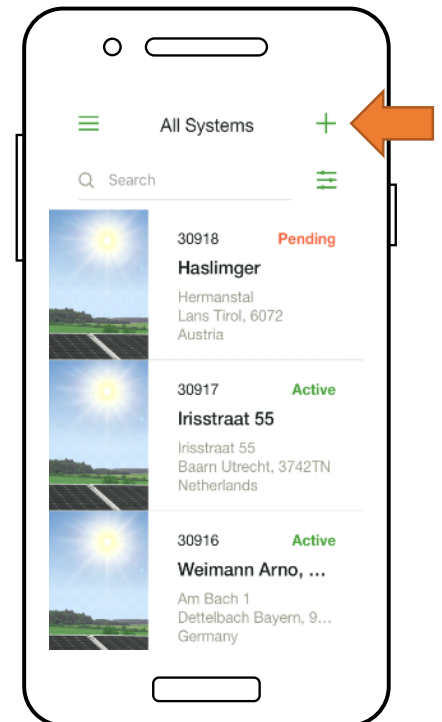
*Requires active mobile data connection*

If you do not have an installer account, tap **'Enroll'** to create a new account. All system data can also be accessed and edited here: [smart.tigoenergy.com](http://smart.tigoenergy.com)



To proceed with a new installation, tap **'+'** at the top right of the display

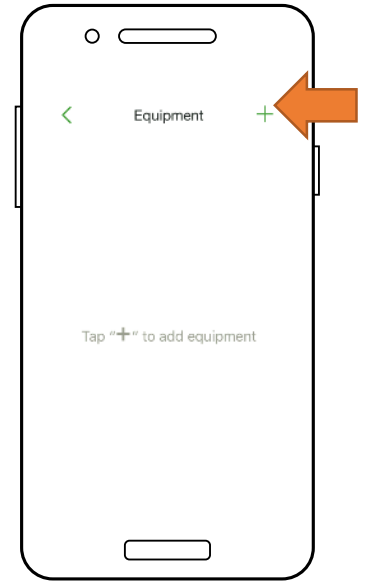
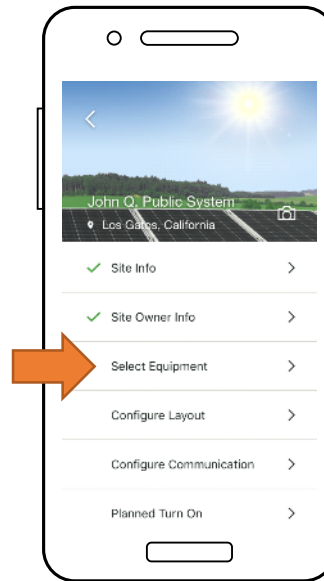
To service or monitor an existing system that has already been configured, tap on that system in your list



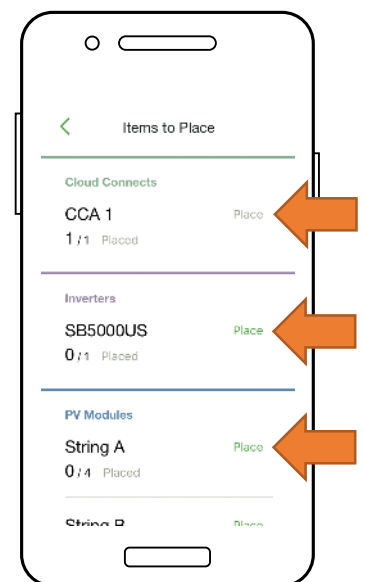
# SELECT EQUIPMENT

*Requires active mobile data connection*

- Go to '**Select Equipment**'
- Tap '+' at the top right of the display to add equipment
- Choose the inverter model, the number of MPPTs, and the associated CCA
- Select the manufacturer and model of the PV modules
- **Note:** If using an inverter or module not in the list, click the '+' sign at the top right corner



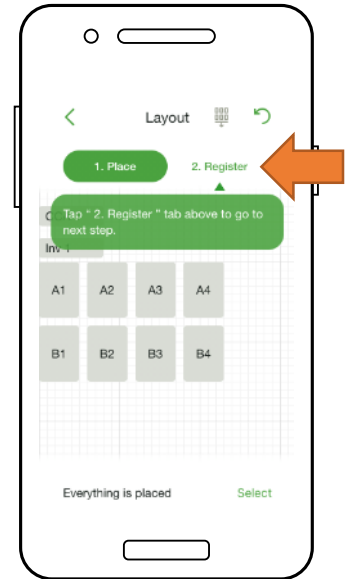
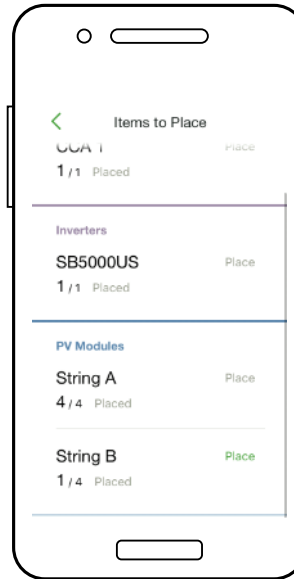
- Place the CCA by tapping on a position on the Layout grid
- Tap '**Place**' next to an equipment type to place it on the grid
- Repeat for all CCAs and inverters



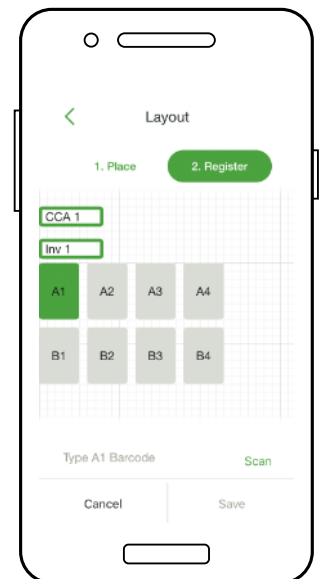
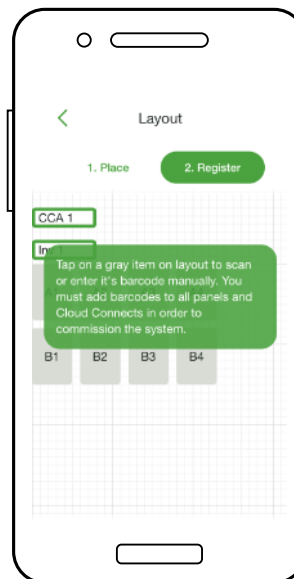
# CONFIGURE MODULE LAYOUT

*Requires active mobile data connection*

- Place modules in the Layout grid according to their physical placement on site
- **Note:** Matching the physical map of the system is optional but improves its appearance in the monitoring portal and makes maintenance easier
- Tap and drag to change the position of a placed item
- Tap '**Register**' to begin entering the TS4 barcodes



- Place the CCA by tapping on a position on the Layout grid
- Tap '**Place**' next to an equipment type to place it on the grid
- Repeat for all CCAs and inverters



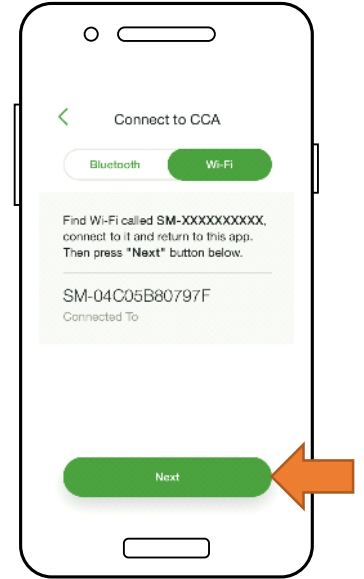
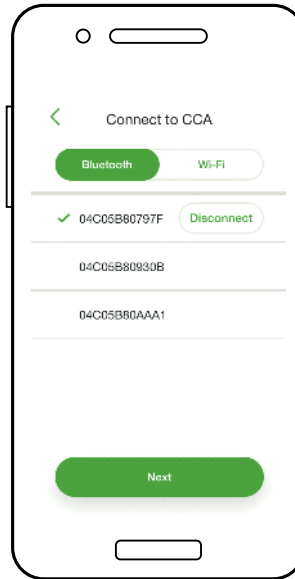
# CONNECT CCA TO SMARTPHONE

*No mobile data connection required*



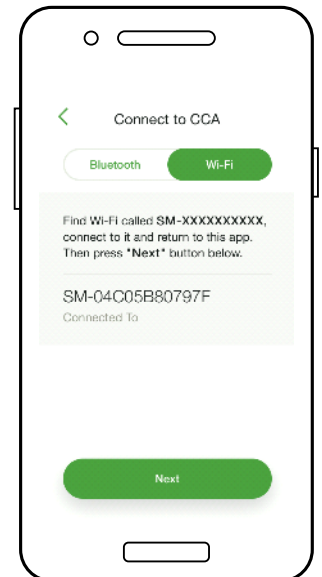
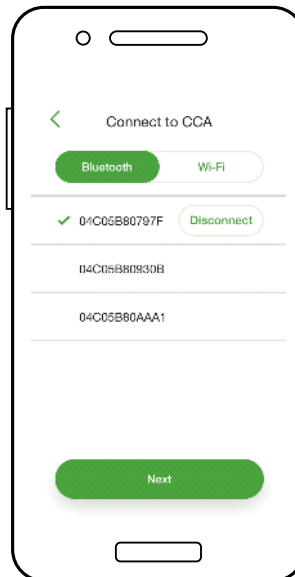
To connect the Smartphone to the CCA via **Bluetooth**, tap the serial number of the CCA you wish to connect with

- **Note:** Use the Tigo Smart App to pair with the CCA, instead of the phone's Bluetooth pairing screen
- Once connected to the CCA, tap '**Next**' to continue



To connect the smartphone to the CCA via **Wi-Fi**, choose the CCA's Wi-Fi connection in the phone's settings

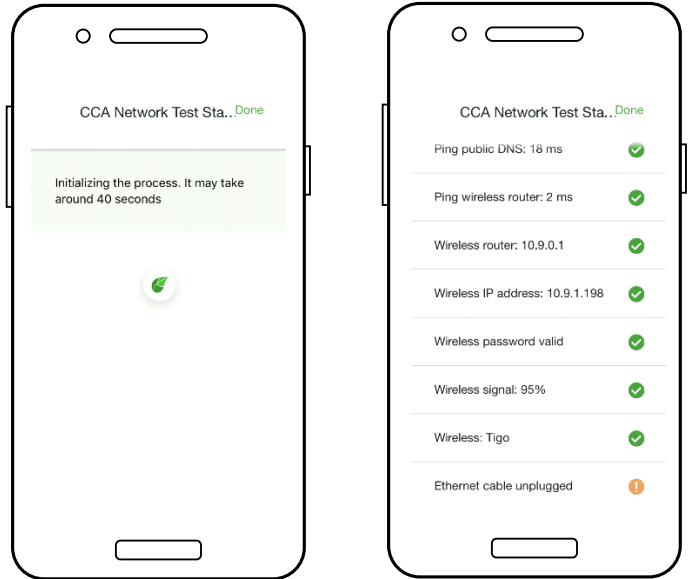
- **Note:** Using the Wi-Fi connection disconnects the smartphone from the local Wi-Fi
- Once connected to the CCA, tap '**Next**' to continue



# CONFIGURE NETWORK SETTINGS – CONNECT CCA TO INTERNET

*Requires smartphone – CCA connection*

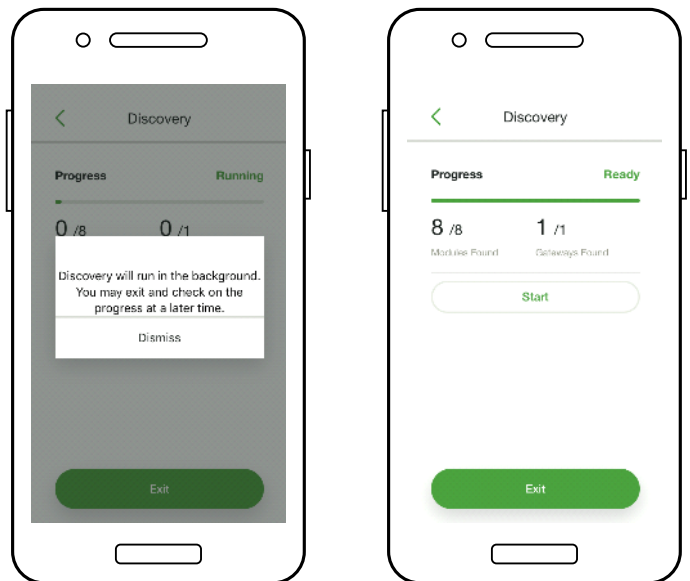
- The Network Test checks the Internet connection of the CCA
- The test performs a series of checks that can be used for troubleshooting the network connection
- Tap '**Done**' to continue



# COMMISSION THE TS4 UNITS – RUN DISCOVERY

*Requires smartphone – CCA connection*

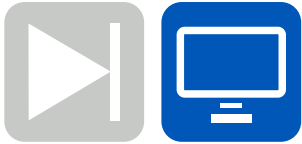
- Tap '**Next**' in the 'CCA Network Settings' to go to 'Discovery'
- **Note:** Before starting Discovery, all site equipment and TS4 barcodes should be input into the app. Begin the process no later than an hour before sunset.
- Tap '**Start**' to run Discovery
  - When Discovery is complete, system production data can be viewed online and in the app



# STRING DESIGN WITH TS4

## TS4-M:

Standard rules for string length and design.  
*Requires CCA and TAP for monitoring.*



## TS4-S:

Standard rules for string length and design.  
*Requires CCA and TAP for monitoring and shutdown.*



## TS4-O:

Standard rules for string length  
Flexible design (mixed orientations, unequal length strings in parallel)  
Tolerant of shade and mismatch



## TS4-L:

Increased maximum string length, no derating for cold temperature  
Flexible design (mixed orientations, unequal length strings in parallel)  
Tolerant of shade and mismatch





**Tigo**<sup>®</sup>

## Appendix

Product Specifications, Shutdown, String Sizing with TS4-L



# TECHNICAL SPECIFICATIONS – SMART MODULE WITH TS4-B

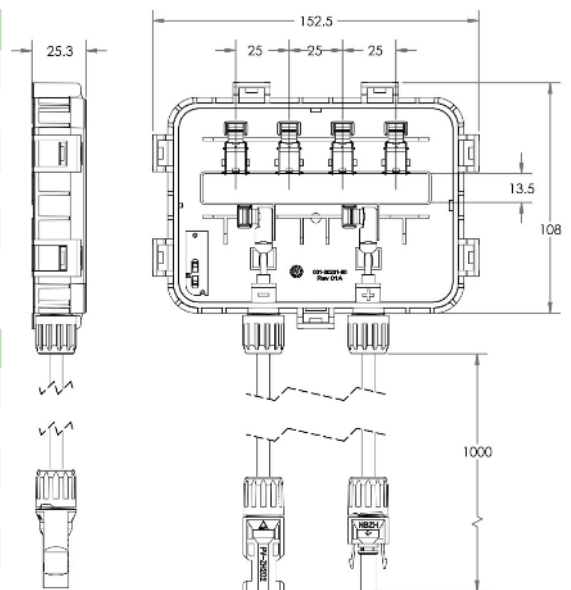


Electrical Ratings	TS4-D	TS4-M	TS4-S	TS4-O	TS4-L
<b>Input</b>					
Rated DC Input Power	-	475W	475W	475W	475W
Input Voltage	-	16 - 90V	16 - 90V	16 - 90V	16 - 90V
Max Continuous Input Current ( $I_{MAX}$ )	12.5A	12A	12A	12A	12A
<b>Output</b>					
Output Power Range	0 – $P_{MAX}$	0 - 475W	0 - 475W	0 - 475W	0 - 475W
Output Voltage Range <sup>1</sup>	0 – $V_{OC}$	0 – $V_{OC}$	0 – $V_{OC}$	0 – $V_{OC}$	0 – $V_{MAX}$
Communication Type	N/A	Wireless	Wireless	Wireless	Wireless
Module-level Shutdown	Need additional shutdown device	Need additional shutdown device	Yes	Yes	Yes
Impedance Matching	No	No	No	Yes	Yes
Output Voltage Limit	No	No	No	No	Yes
Maximum System Voltage	1500V	1500V	1500V	1500V	1500V

<sup>1</sup> Output voltage limit of TS4-L is factory-set.

<sup>2</sup> Cloud Connect Advanced (CCA) and TAP/Gateway required for shutdown compliance with TS4-S, TS4-O, & TS4-L. TS4-F requires RSS Transmitter.

<b>Mechanical</b>	
Operating Temperature Range	-40°C to +85°C (-40°F to +185°F), RH < 85%
Storage Temperature Range	-40°C to +85°C (-40°F to +185°F), RH < 60%
Cooling Method)	Natural Convection
Dimensions (with cover)	152.5mm x 108mm x 25.3mm
Weight	270g (base), 180g to 240g (cover)
Outdoor Rating	IP67/IP68
Maximum Elevation	2000m
<b>Cabling</b>	
Type	H1Z2Z2-K
Output Cable Length	1.2m (standard)
Rating Options <sup>3</sup>	1000V, 1500V
Cable Cross-Section	6.3 ± 0.3mm
Connectors	MC4 (standard), MC4 comparable, EVO2
UV Resistance	500hr with UV light between 300-400nm @65°C



<sup>3</sup> All TS4 covers are 1500V compatible. Specify max system voltage when ordering modules with TS4 bases for appropriate cables & connectors.

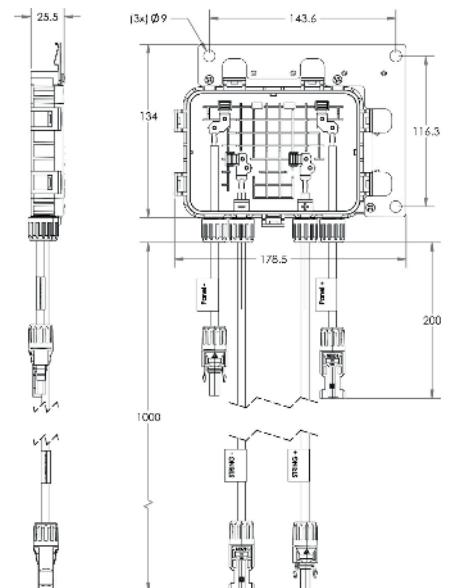
# TECHNICAL SPECIFICATIONS – TS4-R



Electrical Ratings	TS4-R-M	TS4-R-S	TS4-R-O
<b>Input</b>			
Rated DC Input Power	475W	475W	475W
Input Voltage	16 - 90V	16 - 90V	16 - 90V
Max Continuous Input Current ( $I_{MAX}$ )	12A	12A	12A
<b>Output</b>			
Output Power Range	0 - 475W	0 - 475W	0 - 475W
Output Voltage Range	0 - $V_{OC}$	0 - $V_{OC}$	0 - $V_{OC}$
Communication Type	Wireless	Wireless	Wireless
Module-level Shutdown	Need additional shutdown device	Yes	Yes
Impedance Matching	No	No	Yes
Output Voltage Limit	No	No	No
Maximum System Voltage	1500V	1500V	1500V

<sup>1</sup> Cloud Connect Advanced (CCA) and TAP/Gateway required for shutdown compliance with TS4-R-S & TS4-R-O. TS4-R-F requires RSS Transmitter.

<b>Mechanical</b>	
Operating Temperature Range	-40°C to +85°C (-40°F to +185°F), RH < 85%
Storage Temperature Range	-40°C to +85°C (-40°F to +185°F), RH < 60%
Cooling Method)	Natural Convection
Dimensions (with cover)	178.5mm x 134mm x 25.5mm
Weight (base and cover)	610g (M or S cover), 670g (O cover)
Outdoor Rating	IP67/IP68
Maximum Elevation	2000m
<b>Cabling</b>	
Type	H1Z2Z2-K
Output Cable Length	1m (standard)
Rating Options <sup>3</sup>	1000V, 1500V
Cable Cross-Section	6.3 ± 0.3mm
Connectors	MC4, MC4 comparable, EVO2
UV Resistance	500hr with UV light between 300-400nm @65°C



# TECHNICAL SPECIFICATIONS – TS4-A



## Electrical Ratings

	TS4-A-M	TS4-A-S	TS4-A-O
<b>Input</b>			
Rated DC Input Power	500W	500W	500W
Input Voltage	16 - 90V	16 - 90V	16 - 90V
Max Continuous Input Current ( $I_{MAX}$ )	15A	15A	12A
<b>Output</b>			
Output Power Range	0 - 500W	0 - 500W	0 - 500W
Output Voltage Range	0 - $V_{OC}$	0 - $V_{OC}$	0 - $V_{OC}$
Communication Type	Wireless	Wireless	Wireless
Module-level Shutdown	Need additional shutdown device	Yes	Yes
Impedance Matching	No	No	Yes
Output Voltage Limit	No	No	No
Maximum System Voltage	1500V	1500V	1500V

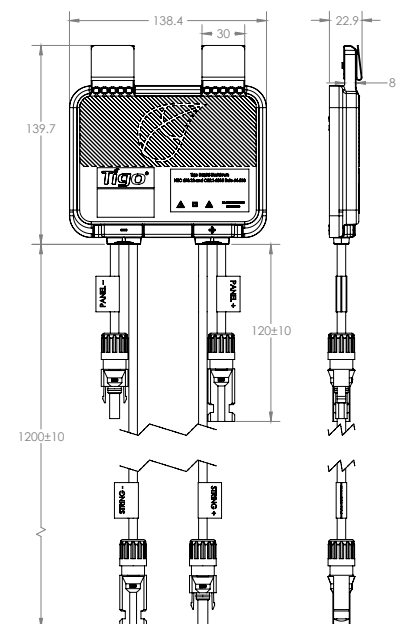
<sup>1</sup> Cloud Connect Advanced (CCA) and TAP/Gateway required for shutdown compliance with TS4-R-S & TS4-R-O. TS4-R-F requires RSS Transmitter.

## Mechanical

Operating Temperature Range	-40°C to +85°C (-40°F to +185°F), RH < 85%
Storage Temperature Range	-40°C to +85°C (-40°F to +185°F), RH < 60%
Cooling Method)	Natural Convection
Dimensions	138.4mm x 139.7mm x 22.9mm
Weight	490g
Outdoor Rating	IP68
Maximum Elevation	2000m

## Cabling

Type	H1Z2Z2-K
Output Cable Length	1.2m
Rating Options <sup>3</sup>	1000V, 1500V
Cable Cross-Section	6.3 ± 0.3mm
Connectors	MC4 (standard), MC4 comparable, EVO2
UV Resistance	500hr with UV light between 300-400nm @65°C



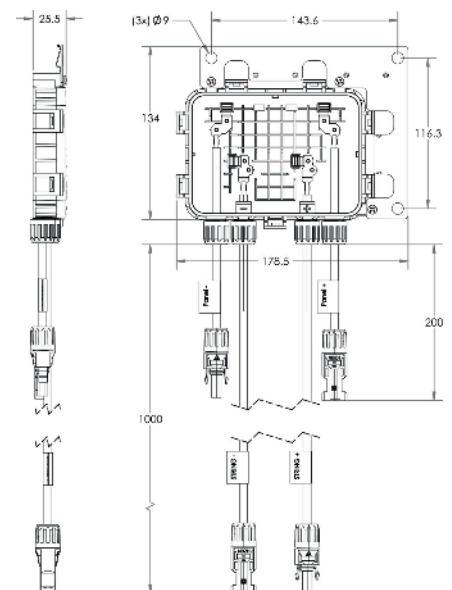
# TECHNICAL SPECIFICATIONS – TS4-R-DUO



Electrical Ratings	TS4-R-M-Duo	TS4-R-S-Duo	TS4-R-O-Duo
<b>Input</b>			
Rated DC Input Power	700W	700W	700W
Input Voltage	16 - 90V	16 - 90V	16 - 90V
Max Continuous Input Current ( $I_{MAX}$ )	12A	12A	12A
<b>Output</b>			
Output Power Range	0 - 700W	0 - 700W	0 - 700W
Output Voltage Range	0 - $V_{OC}$	0 - $V_{OC}$	0 - $V_{OC}$
Communication Type	Wireless	Wireless	Wireless
Module-level Shutdown	Need additional shutdown device	Yes	Yes
Impedance Matching	No	No	Yes
Output Voltage Limit	No	No	No
Maximum System Voltage	1500V	1500V	1500V

<sup>1</sup> Cloud Connect Advanced (CCA) and TAP/Gateway required for shutdown compliance with TS4-R-S & TS4-R-O.

<b>Mechanical</b>	
Operating Temperature Range	-40°C to +85°C (-40°F to +185°F), RH < 85%
Storage Temperature Range	-40°C to +85°C (-40°F to +185°F), RH < 60%
Cooling Method)	Natural Convection
Dimensions	178.5mm x 134mm x 25.5mm
Weight	710g (M-Duo or S-Duo), 770g (O-Duo)
Outdoor Rating	IP68
Maximum Elevation	2000m
<b>Cabling</b>	
Type	H1Z2Z2-K
Output Cable Length	1.8m
Rating Options <sup>3</sup>	1000V, 1500V
Cable Cross-Section	6.3 ± 0.3mm
Connectors	MC4, MC4 comparable, EVO2
UV Resistance	500hr with UV light between 300-400nm @65°C



# TECHNICAL SPECIFICATIONS – TS4-A-DUO



## Electrical Ratings

## TS4-A-O-Duo

### Input

Rated DC Input Power

700W

Input Voltage

16 - 90V

Max Continuous  
Input Current ( $I_{MAX}$ )

12A

### Output

Output Power Range

0 - 700W

Output Voltage Range

0 -  $V_{OC}$

Communication Type

Wireless

Module-level Shutdown

Yes

Impedance Matching

Yes

Output Voltage Limit

No

Maximum System Voltage

1500V

<sup>1</sup> Cloud Connect Advanced (CCA) and TAP/Gateway required for shutdown activation with TS4-A-S-Duo and TS4-A-O-Duo

## Mechanical

Operating Temperature Range -40°C to +85°C (-40°F to +185°F), RH < 85%

Storage Temperature Range -40°C to +85°C (-40°F to +185°F), RH < 60%

Cooling Method) Natural Convection

Dimensions 138.4mm x 139.7mm x 22.9mm

Weight 560g

Outdoor Rating IP68

Maximum Elevation 2000m

## Cabling

Type H1Z2Z2-K

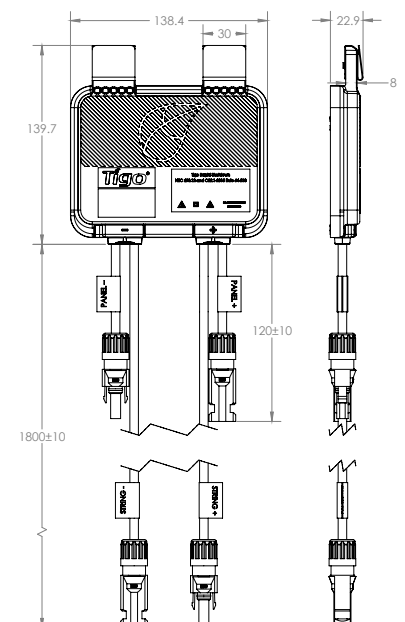
Output Cable Length 1.8m

Rating Options<sup>3</sup> 1000V, 1500V

Cable Cross-Section  $6.3 \pm 0.3$ mm

Connectors MC4 (standard), MC4 comparable, EVO2

UV Resistance 500hr with UV light between 300-400nm @65°C



# TECHNICAL SPECIFICATIONS – CCA & TAP

## Electrical

### CCA

Input Voltage	10V <sub>DC</sub> - 25V <sub>DC</sub>
Power Consumption	3W - 7W
<b>Power Supply</b>	138.4mm x 139.7mm x 22.9mm
Input Voltage	100V <sub>AC</sub> - 240V <sub>AC</sub>

### Mechanical

DIN rail mountable enclosure	
Dimensions (CCA only)	31mm x 115.51mm x 71.54mm
Weight (CCA only)	126g
Operating Temperature Range	-20°C to +70°C (-4°F to +158°F)
Cooling	Natural Convection

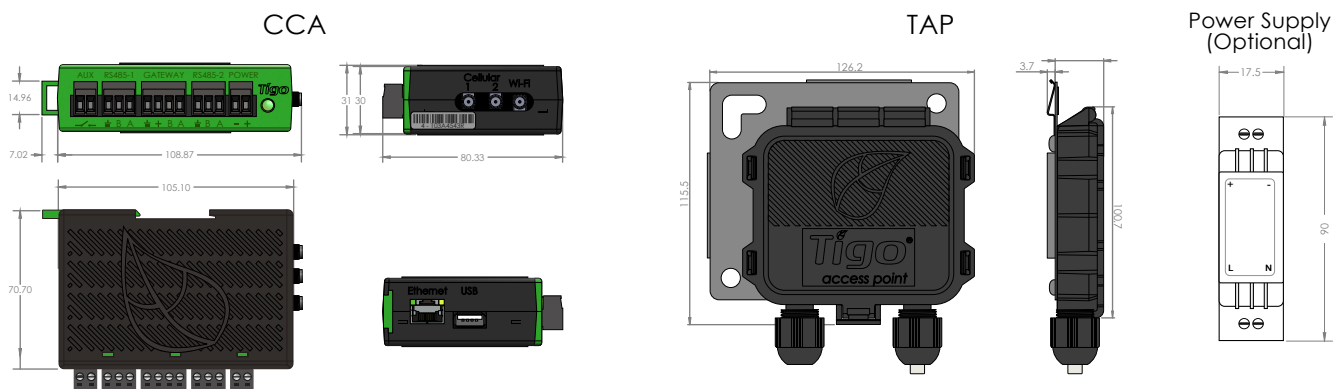
### Capacity

Mesh Configuration	Each CCA supports up to 900 TS4 units and up to 7 TAPs
Legacy Configuration	Each CCA supports up to 360 TS4 units and up to 7 TAPs

### User Interface

[Mobile App: Tigo SMART App for Android and iOS](#)

[Multi-function LED status indicator](#)



All dimensions in mm.

## Electrical

### TAP

Input Voltage	24V <sub>DC</sub>
<b>Mechanical</b>	
Dimensions	126.2mm x 130.0mm x 26.8mm (with bracket)
Weight	227g
Operating Temperature Range	-20°C to +85°C (-4°F to 185°F)
Environmental Rating	IP68
Cooling	Natural Convection
Maximum Elevation	2000m

### Capacity

Mesh Configuration	300 TS4 units up to 115ft (35m) away
Legacy Configuration	120 TS4 units up to 50ft (15m) away

# TESTING SHUTDOWN

TS4-L, TS4-O, and TS4-S (includes TS4-R and TS4-A add-on versions) with Cloud Connect Advanced (CCA) and TAP are a solution to meet module-level shutdown requirements.

TS4 units with the shutdown feature automatically enter shutdown mode when the CCA is switched off and resume energy production when power is restored to the CCA.

Wait 30 seconds after shutdown activation before disconnecting DC cables or turning off DC disconnect.

Test your shutdown system by switching off the AC power to the CCA.

TS4 units with the shutdown feature will reduce their output to 0V when the CCA is powered off.

The CCA power supply **MUST** be on the same AC branch circuit as the inverter to meet shutdown requirements.

# STRING SIZING WITH TS4-L

TS4-L has a state of the art technology designed to reduce balance of system costs by allowing longer strings. This can reduce the number of strings by up to 30%, which directly correlates to a 30% reduction in combiner boxes, wiring, fuses, and hardware overhead costs, as well as reducing the labor requirement for installation.

## By code:

Traditional String Design:				TS4-L String Design:					
Max. string $V_{OC}$	÷	Temp corrected $V_{OC}$	=	# of modules per string	Max. string $V_{OC}$	÷	Reduced $V_{OC}$	=	# of modules per string

Example Calculation (based on a 260W module):

Max.  $V_{OC}$  for code: 600V  
 $V_{MPP}$  range: 190-510V  
 Module  $V_{OC}$ : 38.2V  
 Module  $V_{MP}$ : 30.6V  
 Temp. Corrected  $V_{OC}$ :  $38.2 * 1.25 = 47.75V$   
 Max. string:  $600V \div 47.75V = \mathbf{12 \text{ modules}}$

Max.  $V_{OC}$  for code: 600V  
 Inverter  $V_{MPP}$  range: 190-510V  
 Reduced  $V_{OC}$ : **35V**  
 Module  $V_{MP}$ : 30.6V  
 Temp. Corrected  $V_{OC}$ :  $35V * 1 = 35V$   
 Max. string:  $600V \div 35V = \mathbf{17 \text{ modules}}$

## By inverter:

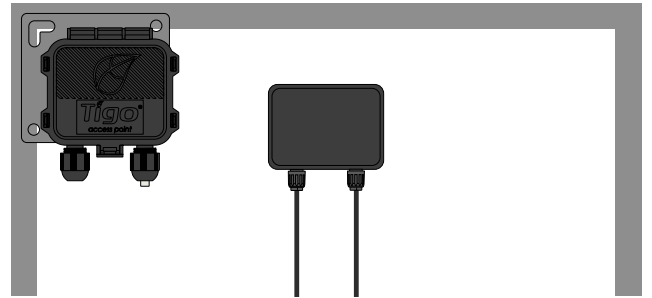
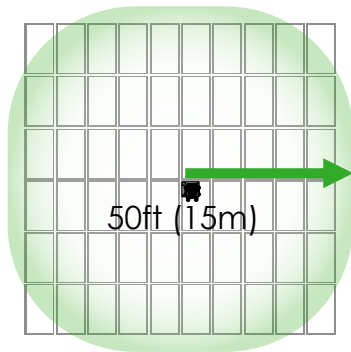
Verify maximum string length according to inverter parameters				
Inverter MPP Voltage Max.	÷	Module $V_{MP}$	=	# of modules per string

Verify string  $V_{MP}$  limits by dividing inverter max MPP voltage range by the Smart Module's  $V_{MP}$ . From the example above:  $510V \div 30.6V = \mathbf{16 \text{ modules per string by inverter}}$

In case of discrepancy between the code requirement and the inverter voltage requirement pick the lower number of the two. Therefore, this example results in a maximum of 16 panels per string, a **33% increase** in string power, with a corresponding reduction in electrical BOS costs.

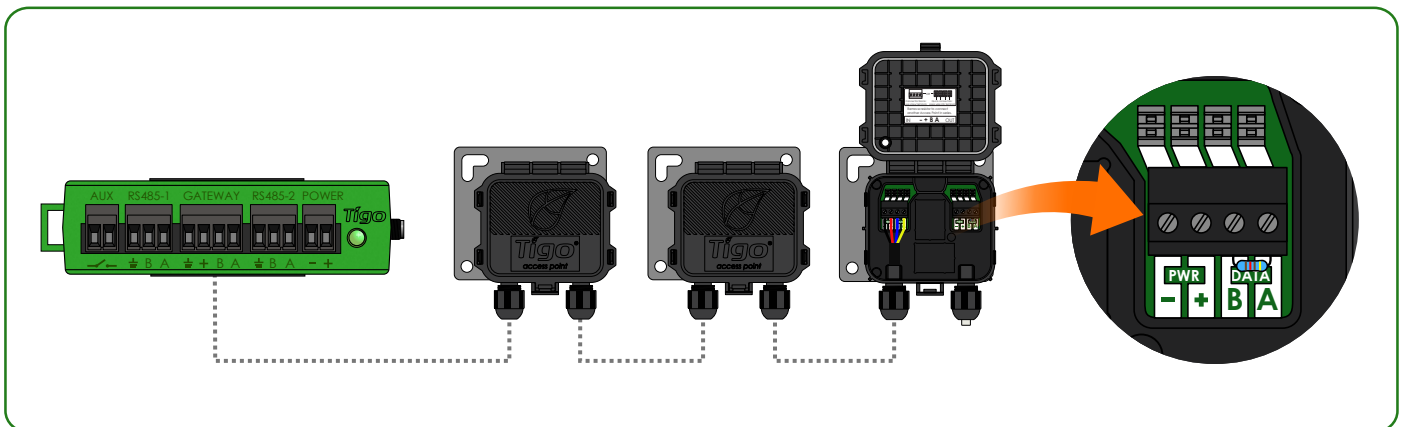


# TAP PLACEMENT - LEGACY (PRE-MESH)



Place TAP near center of array or each sub-array.

TAP attaches to module frame using built-in bracket. Mounting holes are also available in case of frameless modules.



Connect multiple TAP units in series and leave terminating resistor in final TAP only.

Use 4-conductor RS485 (18-22 AWG) cable between TAP and CCA.

Legacy configuration (same as Gateway):

- 120 TS4 units per TAP
- 360 TS4 units per CCA
- 7 TAPs per CCA
- 50ft (15m) radius with line of sight between TAP & all TS4 units

# MISCELLANEOUS

Este equipamento não tem direito à proteção contra interferência prejudicial e não pode causar interferência em sistemas devidamente autorizados.



Este produto está homologado pela ANATEL,  
de acordo com os procedimentos regulamentados pela  
Resolução 242/2010, e atende aos requisitos técnicos  
aplicáveis. Para maiores informações, consulte o site da  
ANATEL: [www.anatel.gov.br](http://www.anatel.gov.br)

# INSTALLATION COMPLETE

For more details on designing and installing solutions powered by Tigo, please visit:

[Tigo Academy](#)  
[Resource Center](#)

Or contact us at:

[training@tigoenergy.com](mailto:training@tigoenergy.com)

**For sales info:**

[sales@tigoenergy.com](mailto:sales@tigoenergy.com) or 1.408.402.0802

**For technical information:**

<http://support.tigoenergy.com>

**For product info:**

Visit [www.tigoenergy.com/products](http://www.tigoenergy.com/products)

For additional info and product selection assistance, use Tigo's online design tool at [www.tigoenergy.com/design](http://www.tigoenergy.com/design)

