

DRAWING DETAILS

PART NUMBER

50051982-004

REV

A

ECO

Add the ECO number to
the file name of this PDF

resideo

ARTWORK DESCRIPTION

**TTHWD Wired Digital Room Thermostat
Installation & User**

DRAWN

MF

MKTING

LC

DATE

12/23

LITERATURE DETAILS

SPECIFICATION

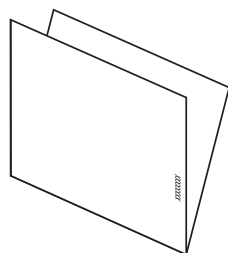
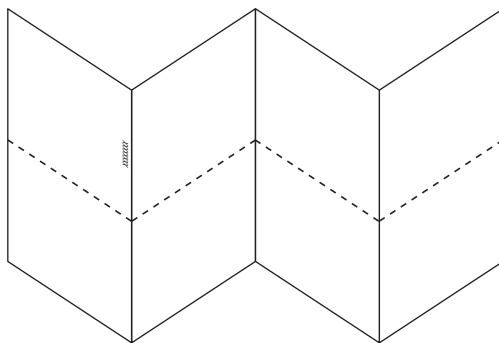
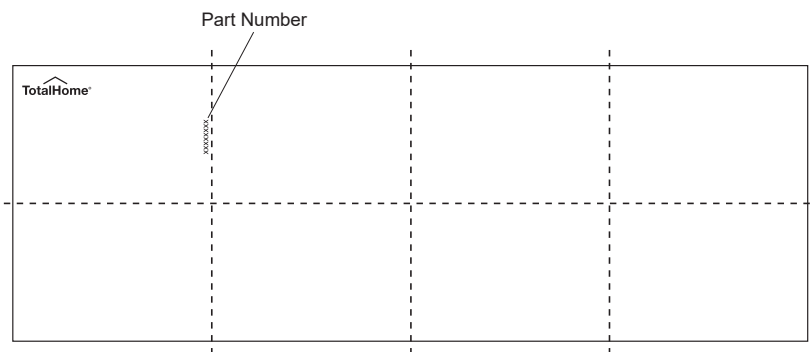
592mm X 210mm spread : Fold to 148mm X 105mm

MATERIAL

1 colour : Double sided : ~70-80gsm bond

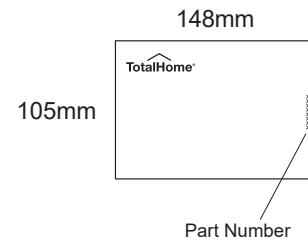
SPECIAL INSTRUCTIONS

Folding Sequence



Finished Size

Front



Back

PRINTING SPEC: REMOVE THIS PAGE BEFORE PRINTING



50051982-004 A

Room temperature

Set temperature, inquiry

Set temperature, adjustment

Switch ON/OFF (frost protection enabled)

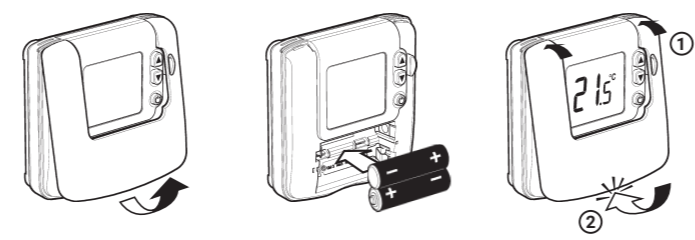
Operating indicators

Heating demand indicator

Frost protection (not available in cooling operation)

Fault indicator

Low battery indicator



Heat/cool changeover

Installer Parameter "HC" (Heat/cool changeover) must be set to "1"

Energy Saving ECO feature

Pressing the green ECO button gives a timed period at a different, predefined temperature (18°C)

To set the ECO energy savings time period

Display shows countdown of ECO time remaining

Pressing ▲ or ▼ will now allow the ECO temperature to be changed

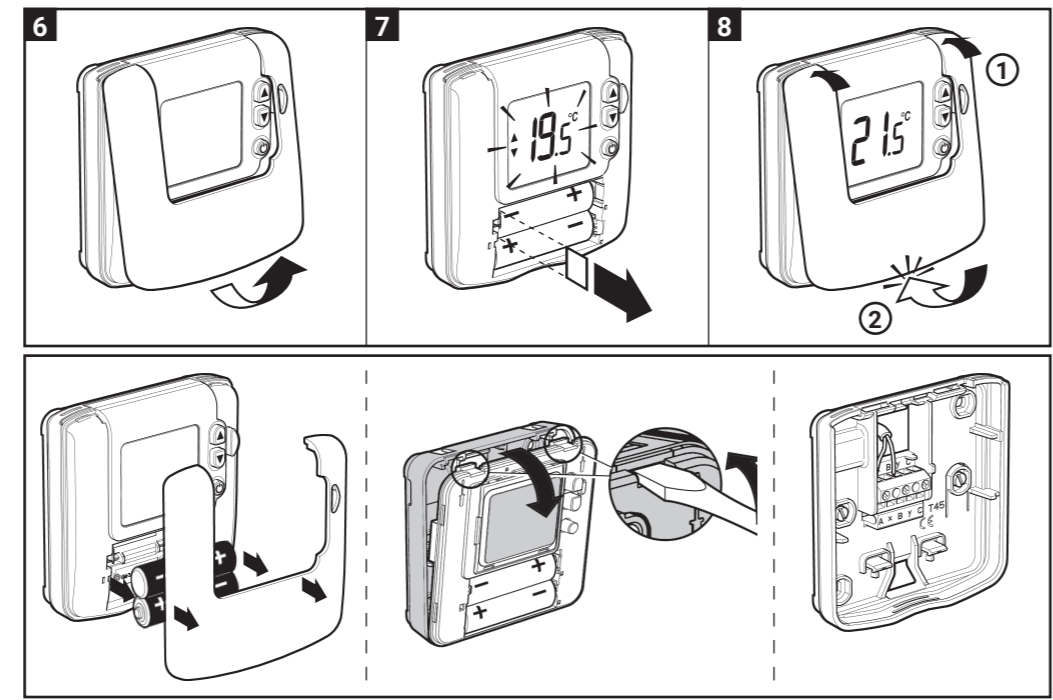
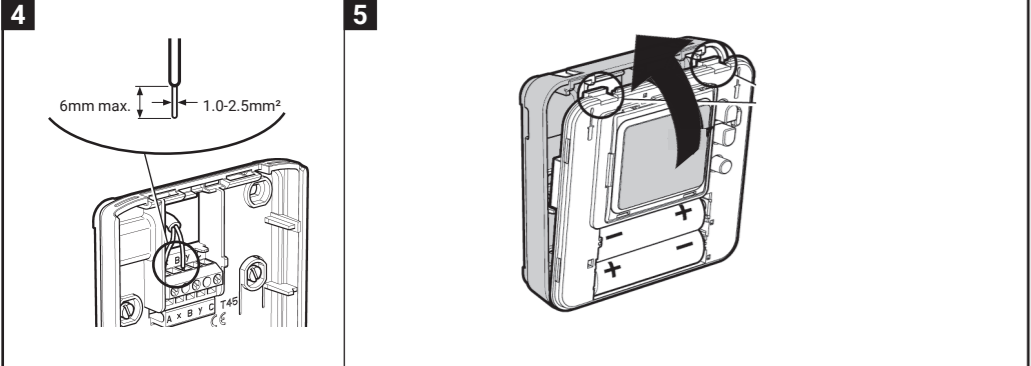
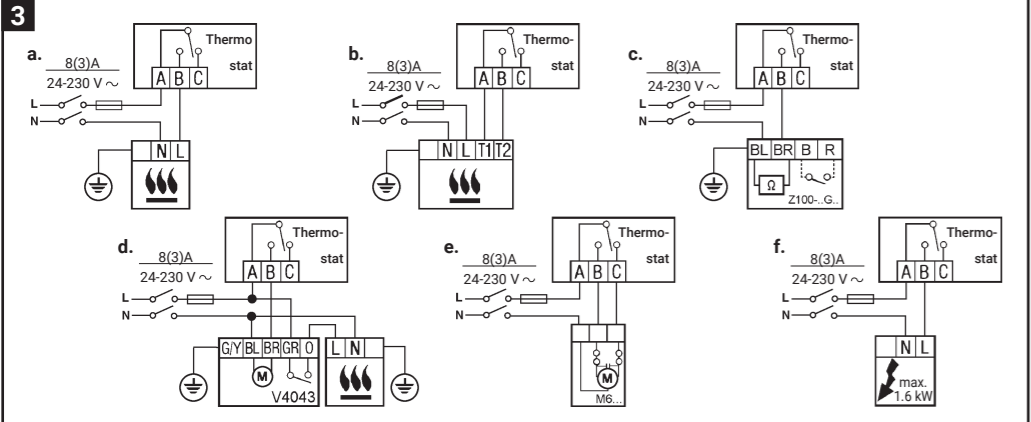
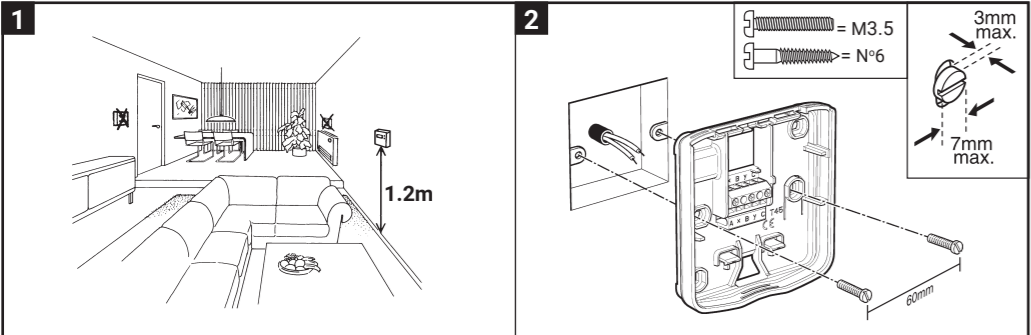
To exit ECO mode, press ECO button again

TotalHome®

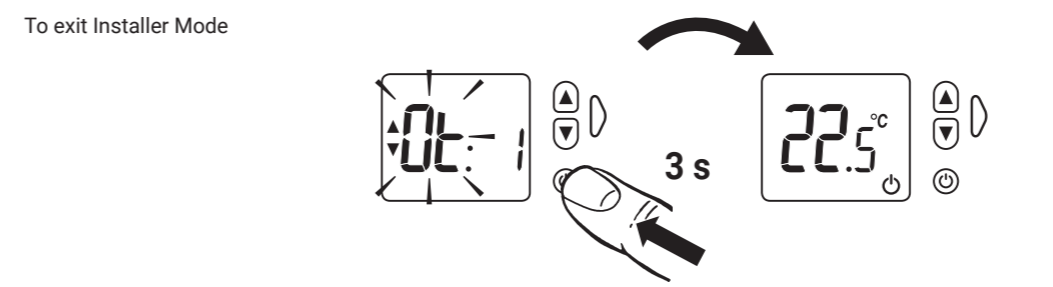
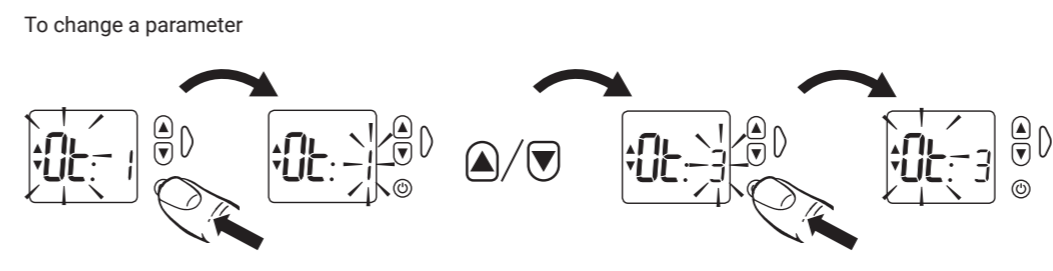
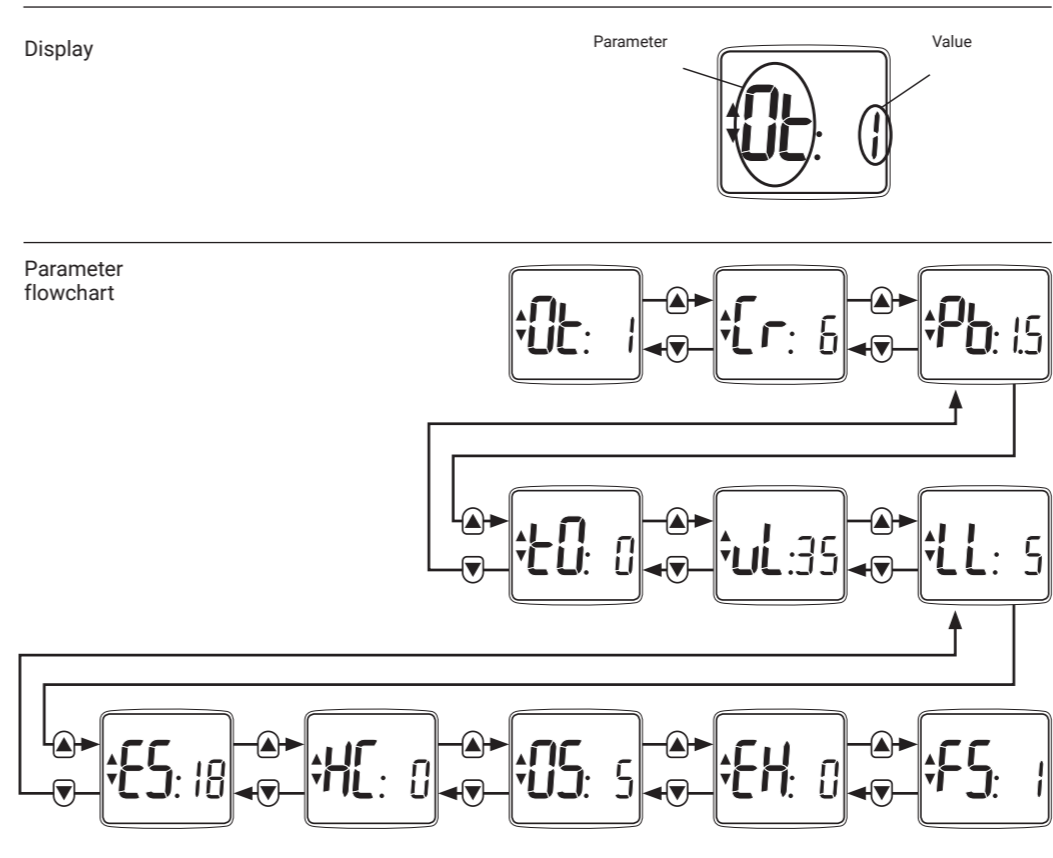
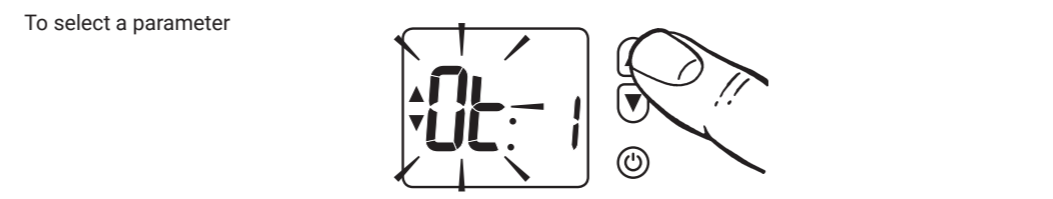
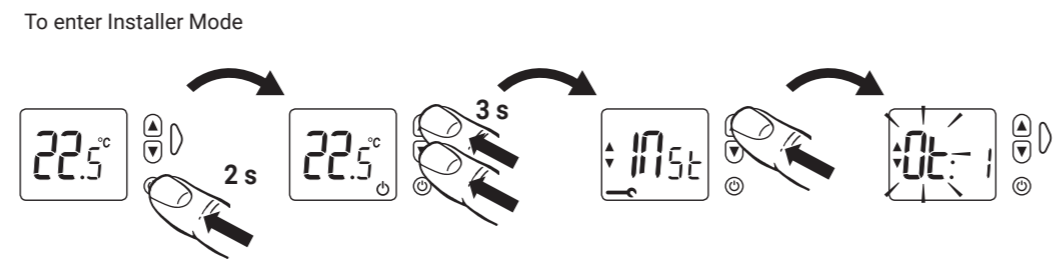
WIRED DIGITAL ROOM THERMOSTAT

Installation Guide

TTHWD



Installer Mode



Parameters			
Description	Parameter	Range of values	Default
Minimum ON/OFF time	Ot	1,2,3,4,5 m	1 m
Cycle rate	Cr	{3,6,9,12}	6
Proportional band width	Pb	1.5 ... 3.0 K	1.5K
Temperature measurement offset	tO	-3 ... 3 K	0 K
Upper setpoint limit	uL	21 ... 35 °C	35°C
Lower setpoint limit	LL	5 ... 21 °C	5°C
ECO temperature	ES	5 ... 35 °C	18 °C
Heat/cool changeover	HC	0, 1 (0 = Disable) (1 = Enable)	0
Off setpoint adjust	OS	- (= Off), 5...16°C	5°C
Electric heat	EH	0 (<3A) / 1 (3A - 8A)	0 (<3A)
Reset parameters	FS	0 / 1	1 (factory)

FROM
resideo
www.resideo.com



© 2023 Resideo Technologies, Inc. All rights reserved.
This product is manufactured by Resideo Technologies, Inc. and its affiliates.