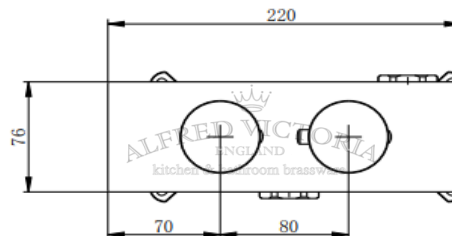
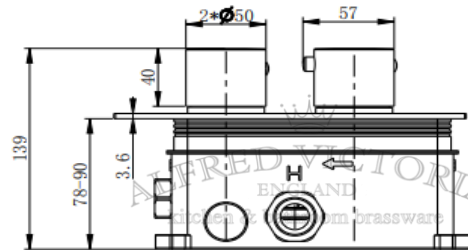
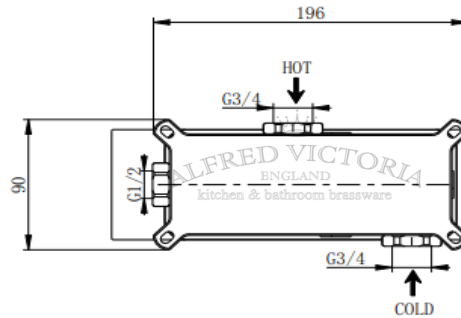


TECHNICAL DATA SHEET

CVA01 Single outlet concealed thermostatic mixer valve

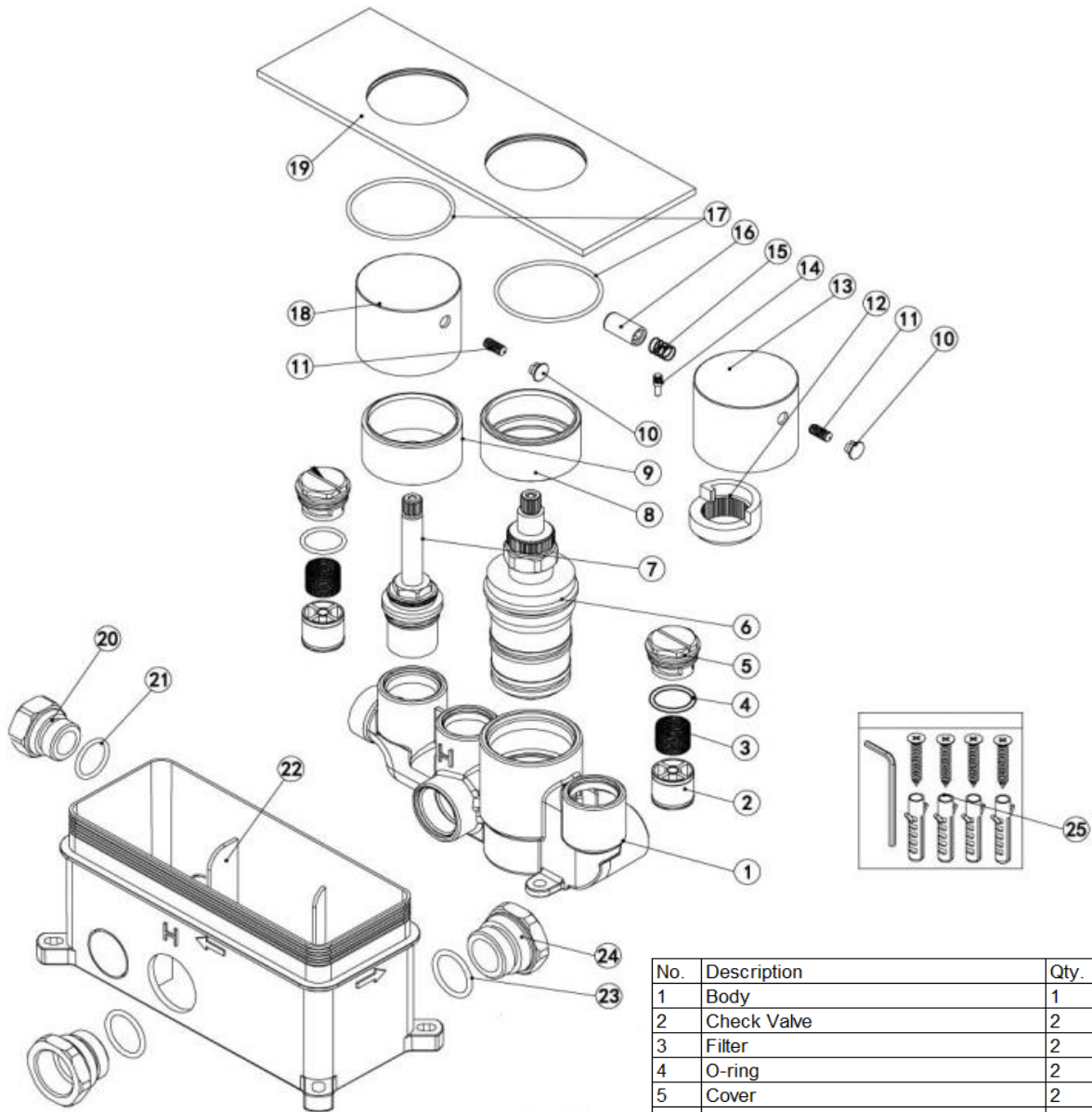
Barcode	0729557186745
Product Code	CVA01
Construction	Brass Body (CuZn38b18)
Finishes	Chrome plated to BS EN 248
Product Type	Contemporary
Water Pressure	Min.0.2 bar, Max. 6.0 bar
Plumbing Systems	Suitable for all plumbing systems, preferably balanced Min. supply pressure differential requirement is 5:1
Standards	Complies with BSEN 1111
Certification	Manufactured to comply with WRAS/TMV2
Cartridge	Thermostatic
Check valve	Neoperl
Fitting	EZ-BOX - Inlet G $\frac{3}{4}$ " , Outlet G $\frac{1}{2}$ "
Packaging	43 x 26 x 34cm / carton (4pcs/carton); Weight: 2.97Kg / box
Guarantee	10 years against manufacturing faults (excluding serviceable parts)
Additional Information	<ol style="list-style-type: none"> 1. Temperature: Pre-set 38°C, with push button override to 55°C 2. Automatic shut off in the event of hot or cold water supply failure 3. Easy accessible checkk valve 4. Valve designed for short recess 5. Wall plate: brass and concealed rubber washer



Flow Rates (Litres per minute)

System Pressure	0.1 Bar	0.2 Bar	0.3 Bar	0.5 Bar	1.0 Bar	1.5 Bar	2.0 Bar	3.0 Bar	4.0 Bar	5.0 Bar
38°C (L/min)	-	7.9	-	12.6	20.0	-	-	36.0	-	-

The information contained on this page was correct at date of issue. Fitting dimensions are provided as a guide only. Some variation may occur due to manufacturing tolerances. We pursue a policy of continuing improvement in design and performance of our products and so reserve the right to change specifications without prior notice.



No.	Description	Qty.
1	Body	1
2	Check Valve	2
3	Filter	2
4	O-ring	2
5	Cover	2
6	Thermostatic Cartridge	1
7	Flow Cartridge	1
8	Cover (Thermo)	1
9	Cover (Flow)	1
10	Cover	1
11	Screw	2
12	Mounting Washer	1
13	Thermo-handle	1
14	Lever Rod	1
15	Spring	1
16	Button	1
17	O-ring	2
18	Flow Handle	1
19	Base Plate	1
20	Outlet Connector	1
21	O-ring	1
22	Embedded Box	1
23	O-ring	2
24	Inlet Connector	2
25	Hexagon Wrench Accessory Bag	1

Alfred Victoria Exploded Drawings			Material:	Assembly	Size:	A4
			(Date:D/M/Y)	Scale:	None	Issue No:
Drawn by:	Sherman	16/05/2016				
Checked by:	Lee	16/05/2016				
Approved by:	T. K.	16/05/2016				
Drawing Name:						