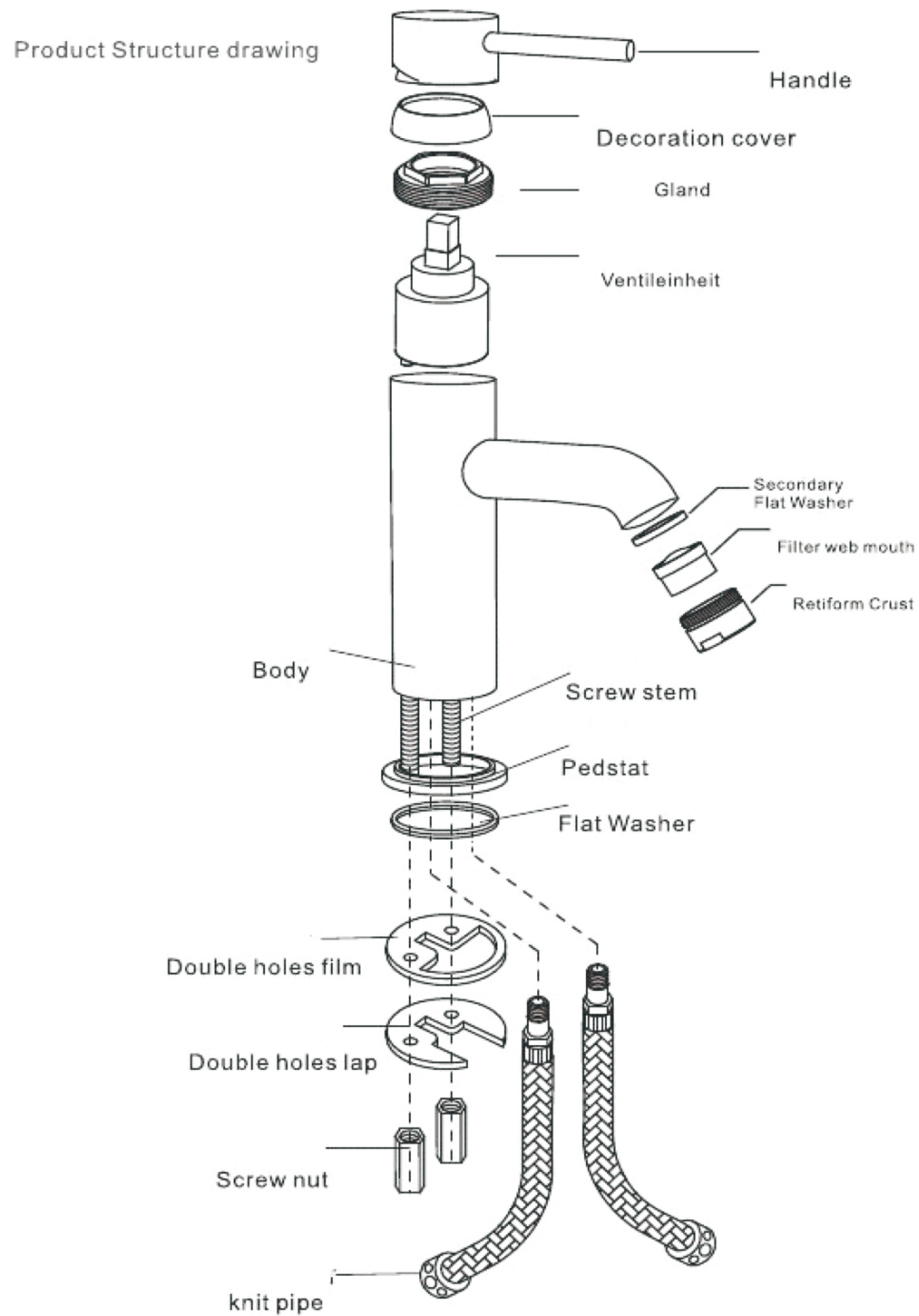


Combi De-luxe



POT955CM

Mono Basin mixer installation instructions



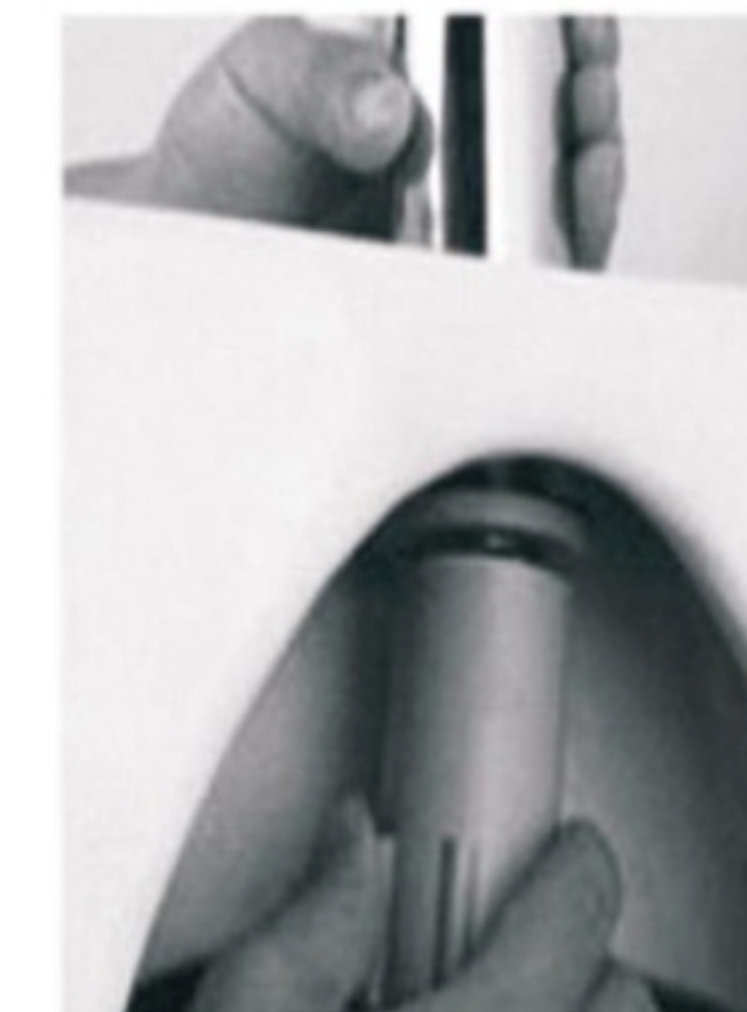
1, Fixed with one of flexi pipe



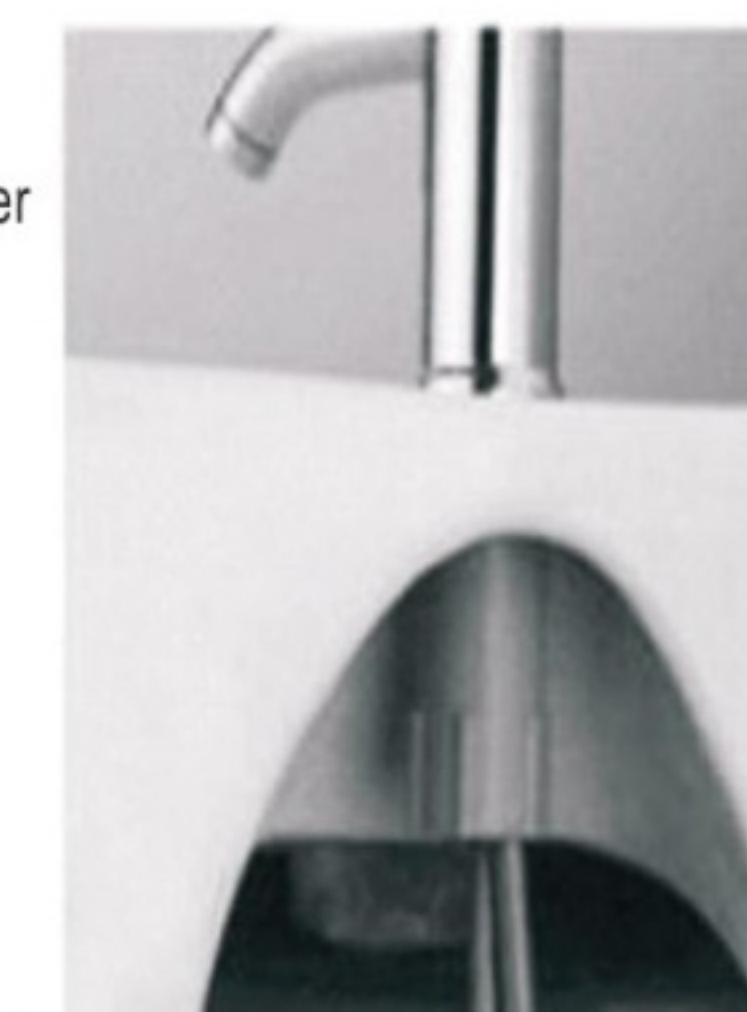
2, Fixed fix 2nd pipe with the flim and lap at the bottom



3, Tigten the lap and back nut

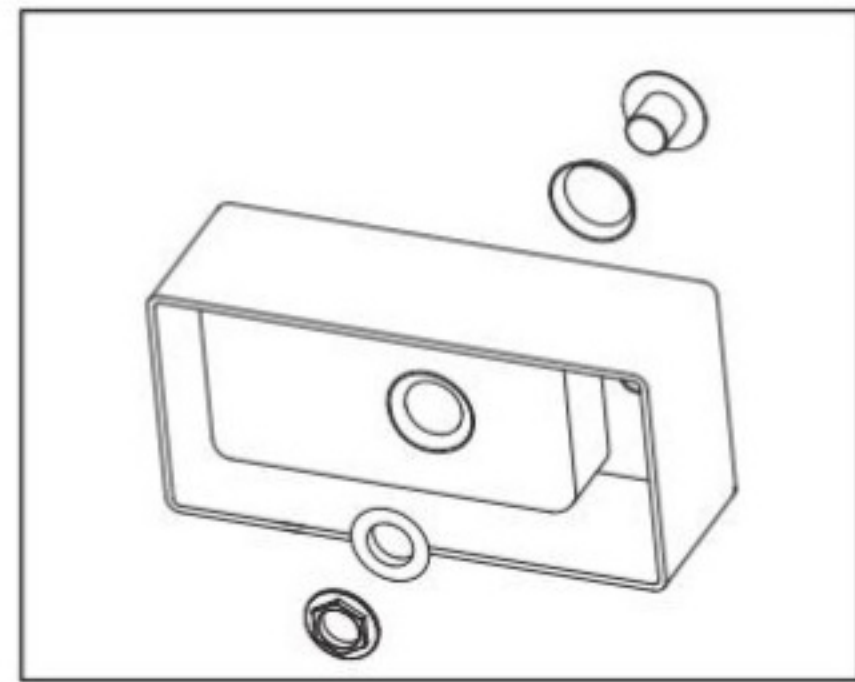


4, Tigten the cover

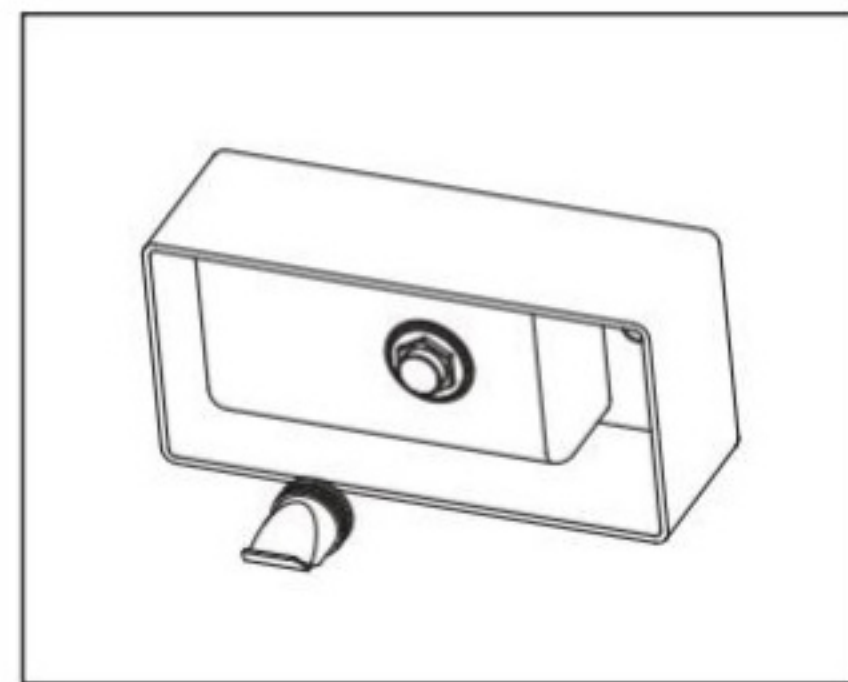


5, Finished

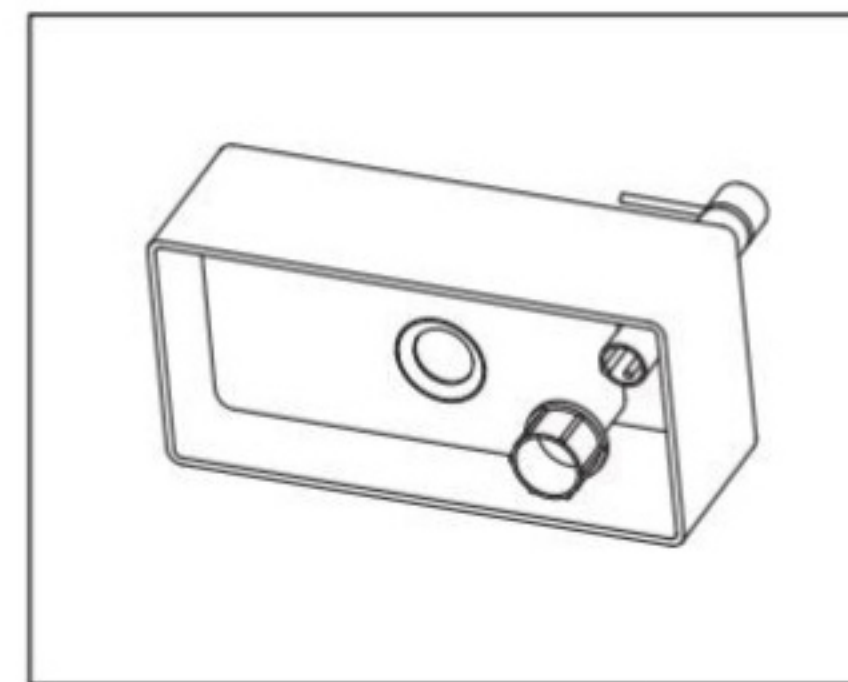
INSTALLATION OF 2 IN 1 WC & BASIN



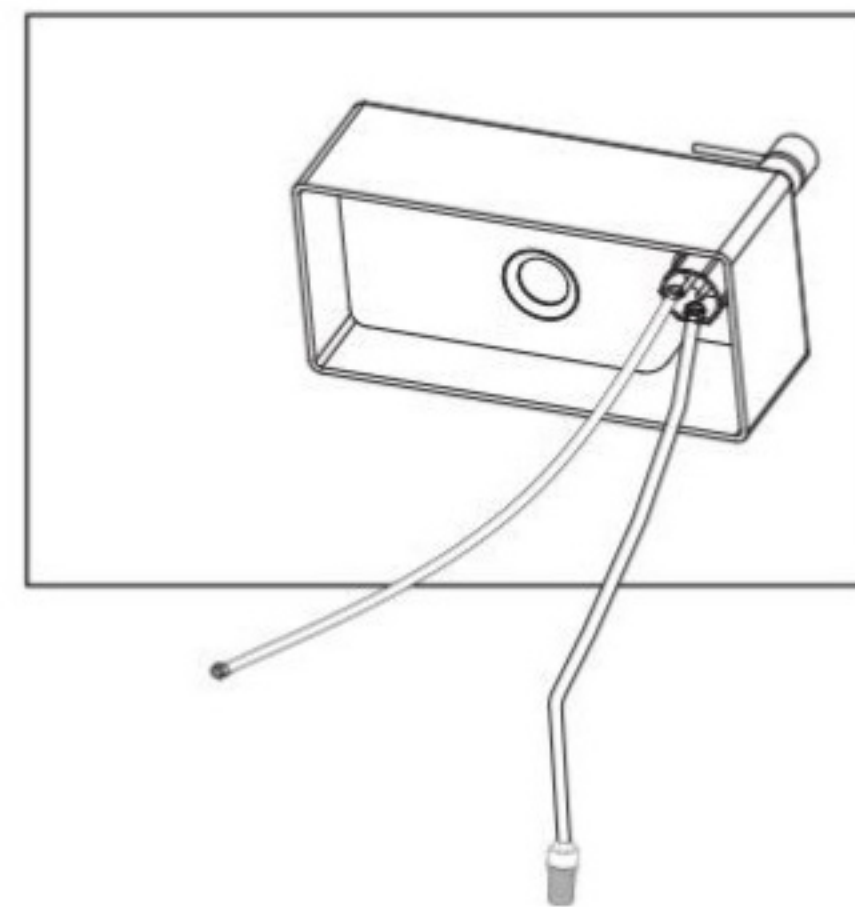
Step 1: Place and fix the waste and washer.



Step 2: Fit the Silicone sleeve on the bottom of the waste.



Step 3: Place the tap and tightly screw the fixing nut.



Step 4: Connect hot & cold water hose to the tap and connect the other end to outlet of the cistern.



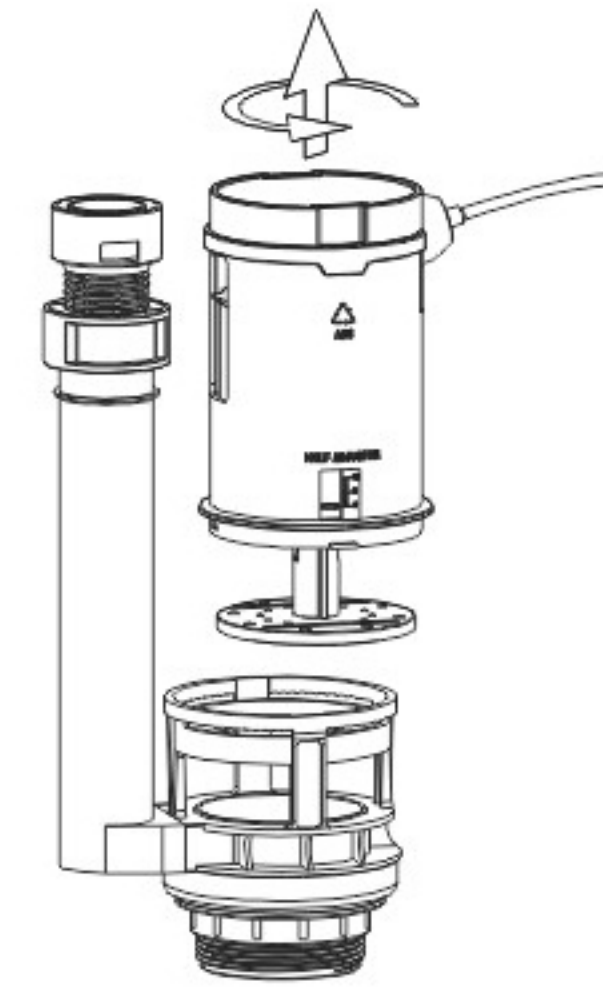
INSTALLATION OF WASH BASIN



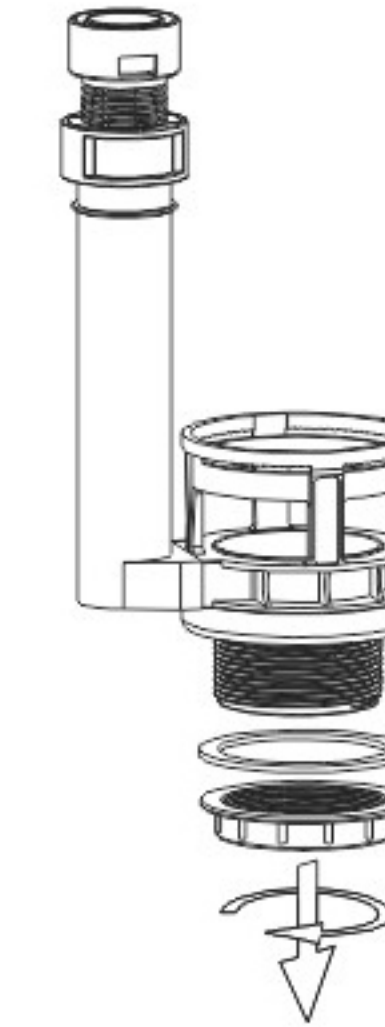
Note: During installation, please ensure there is enough distance between the float of the inlet valve and the hoses, make sure there is no resistance to the normal operation of the inlet valve.

Installation instruction for Dual Flush Valve

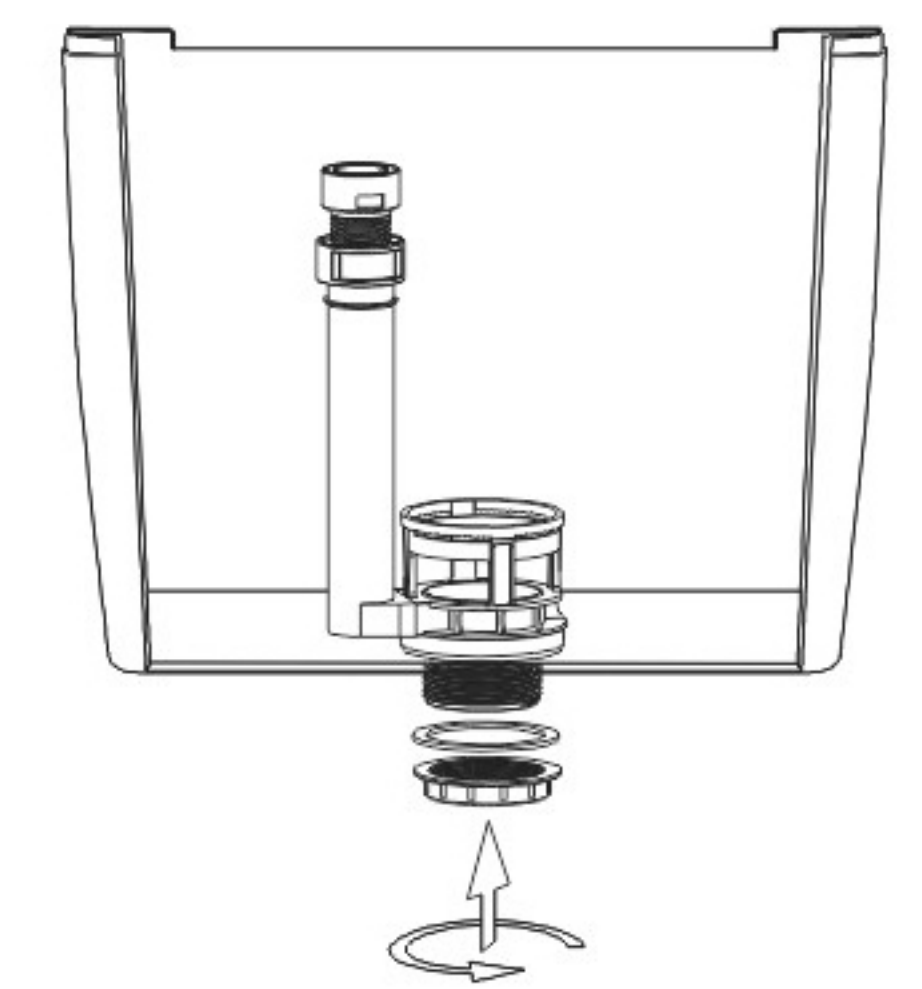
A. Installation Instruction Dual Flush Valve Mechanism



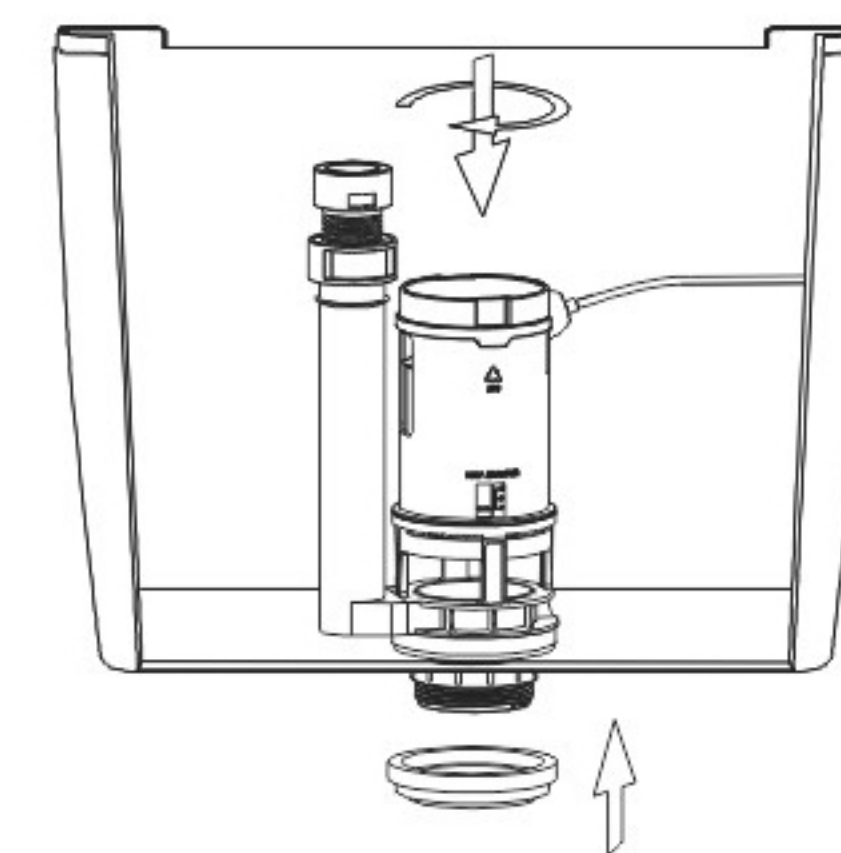
1. Hold the base of the flush valve and rotate the body counterclockwise take it out of base.



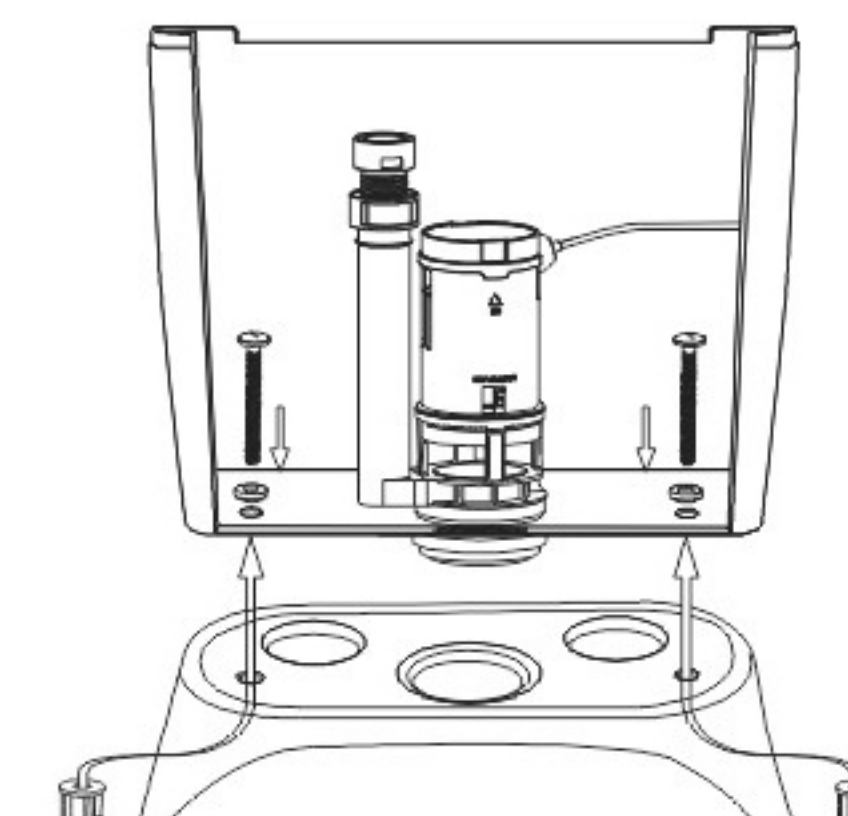
2. Remove the hex nut and nut collar from flush valve base. Don't remove the seal !!!



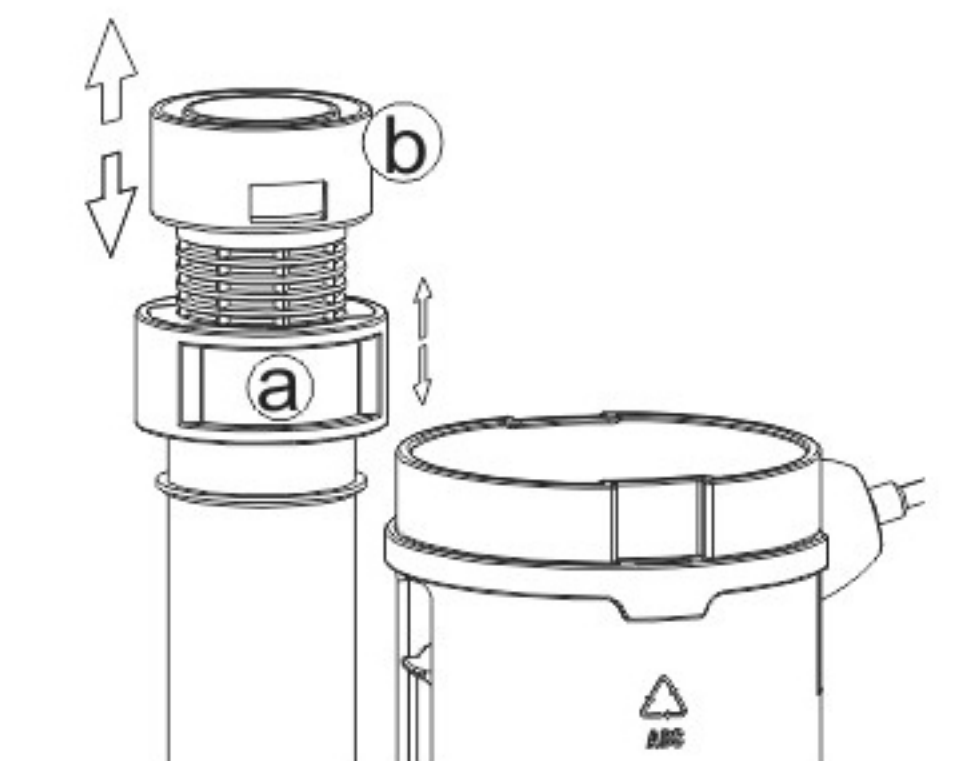
3. Insert the flush valve's base into the water tank. Screw on the nut collar and hex nut properly.



4. Take the body of flush valve and set it into the base and lock in place by rotating it clockwise. Then insert the tank to bowl rubber gasket on to the flush valve's outlet bottom.

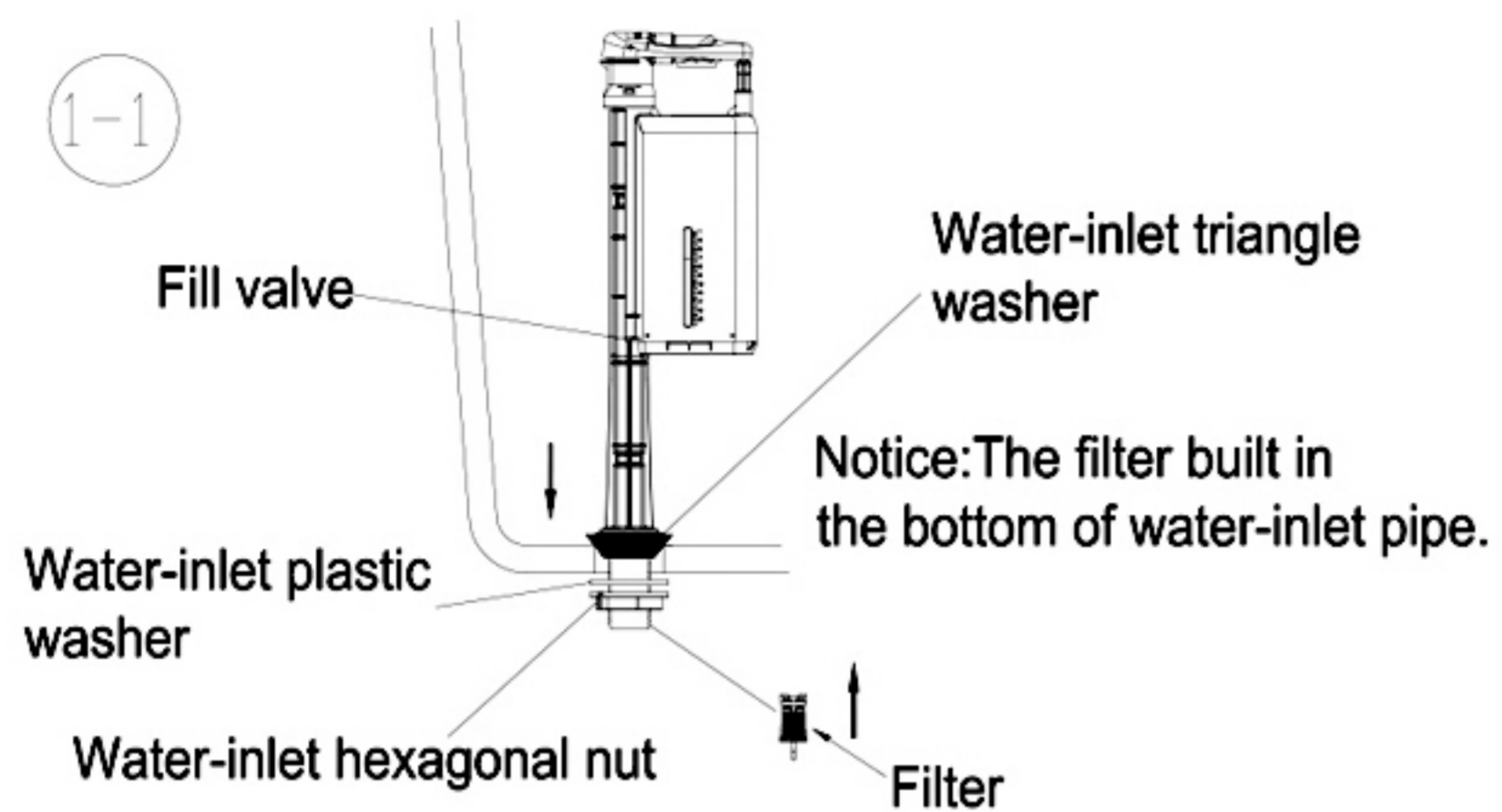


5. Fasten the tank to bowl with one pair of plastic or stainless steel bolts. Make sure bolts have the black rubber washer under the bolt's head.

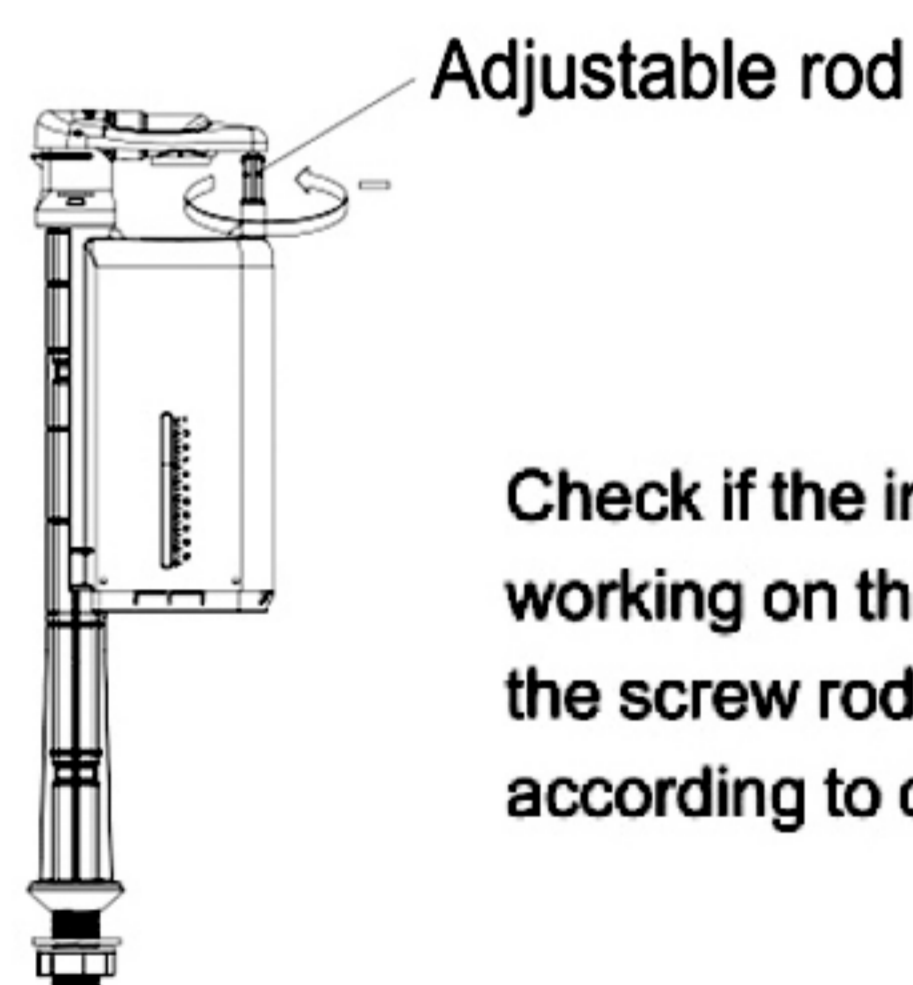


6. To adjust the height of the overflow pipe, slide the lock (a), then set the desired height of the overflow pipe (b). Put the lock back after.

B. Inlet valve install



Put fill valve & water-inlet triangle washer insert into water-inlet hole of water tank, then, cover water-inlet plastic washer and hexagonal nut in turn from the bottom of fill valve. Fastening water-inlet hexagonal nut and make a proper adjust according to the size of water tank.



Check if the inlet valve arte working on the rails and adjust the screw rod clockwise according to demands.

B. Flush button installation

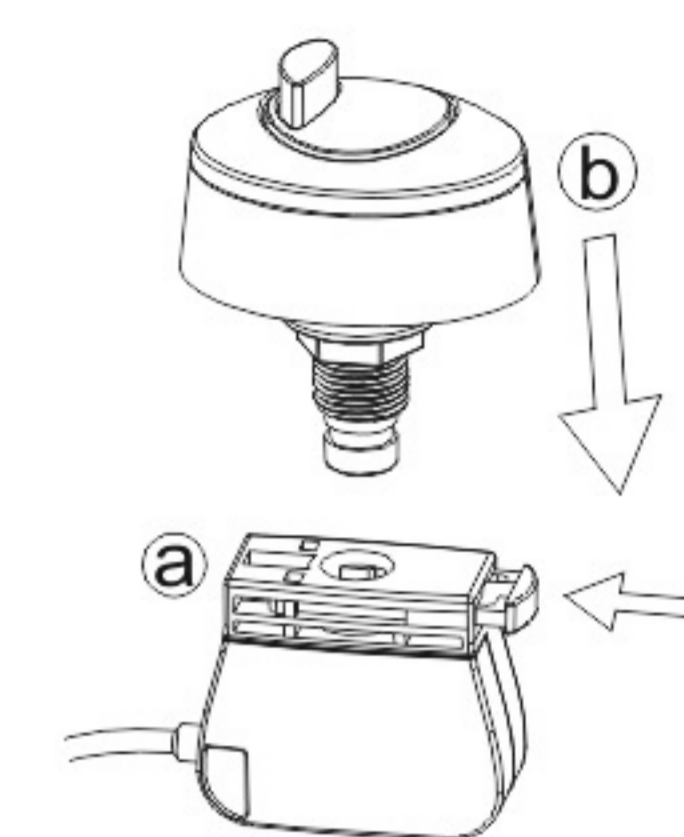
Button installation with ceramic hole on top



1. Unscrew the nut from the button body and take off the seal.

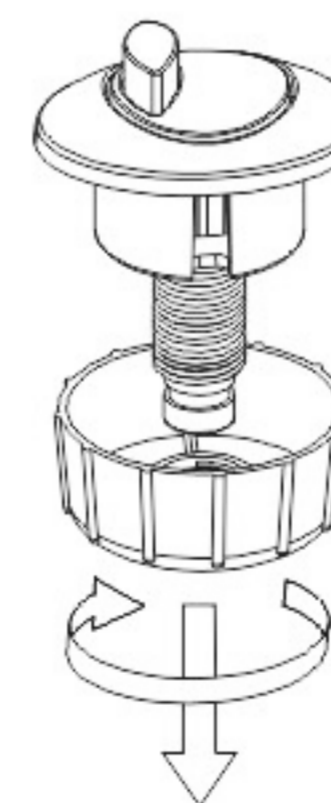


2. Insert the button into the hole on the water tank. Put on the seal and screw the nut.

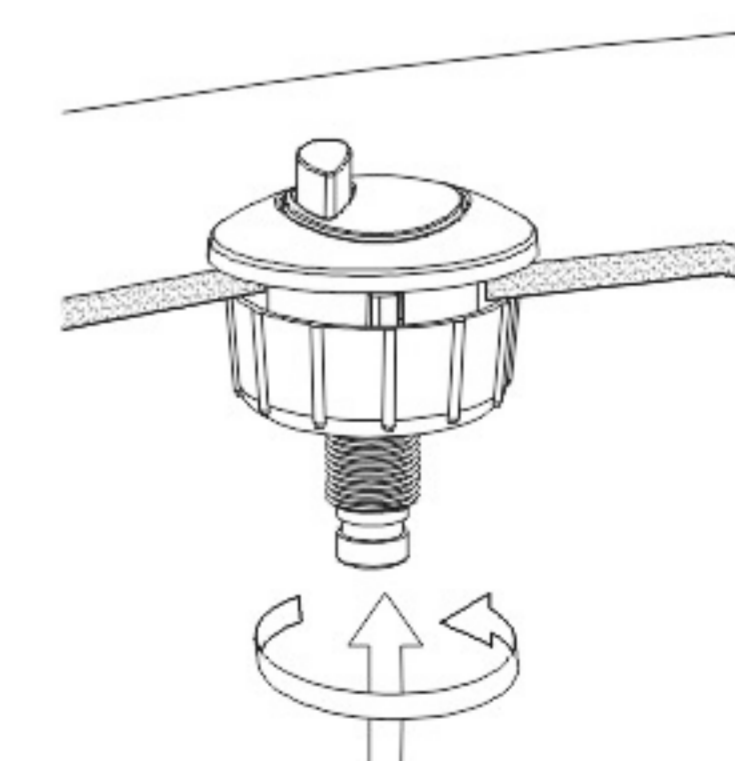


3. Push in the spring lock (a) which is on the control box and then insert button (b) into the control box.

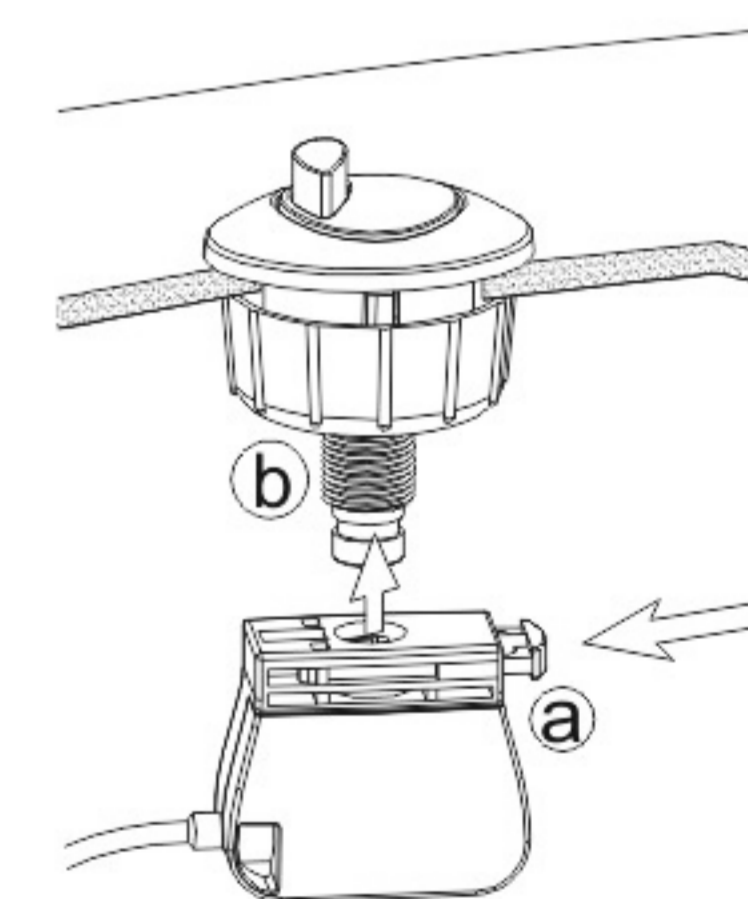
Button installation for top ceramic hole



1. Unscrew the nut .



2. Insert the button into the hole on the water tank. Screw the nut.



3. Push in the spring lock (a) which is on the control box and then insert button (b) into the control box.

Basin waste installation instruction



1. Fixed the flim first and put in the hole

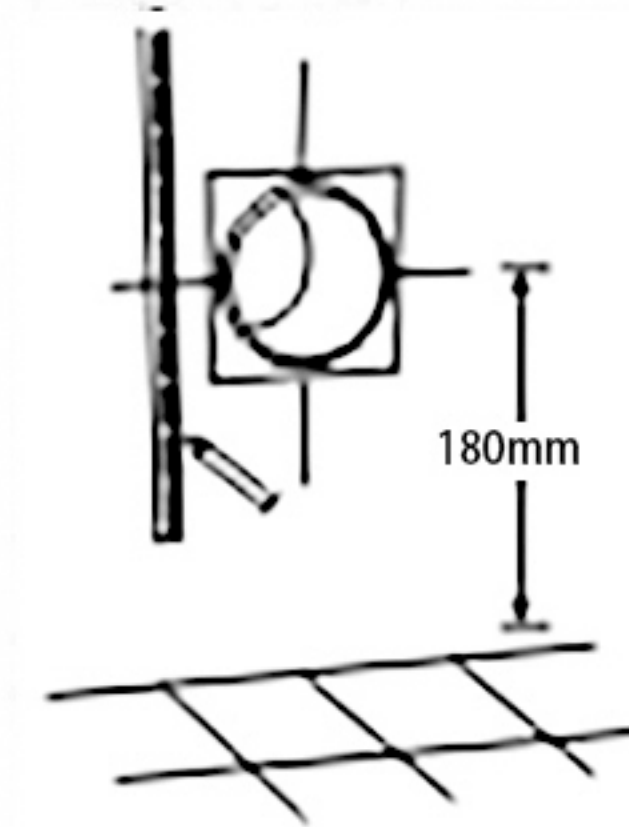


2. Fixed another flim at the bottom



3. Tighten the screw and finished

Installation steps



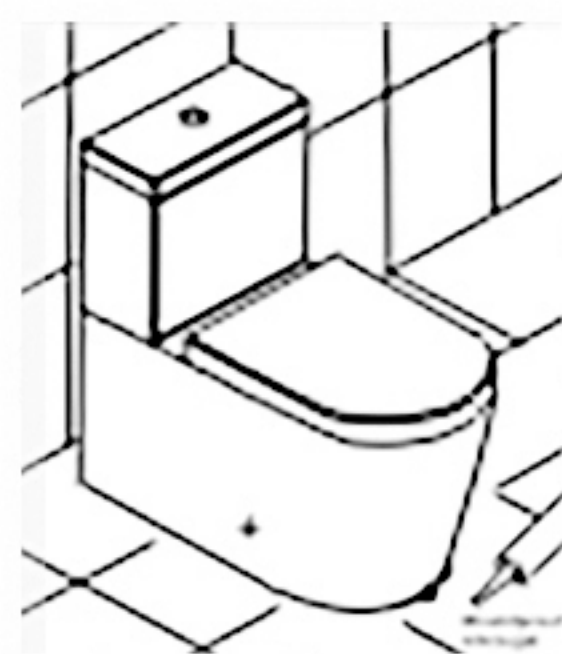
1. For new installation ensure sub floor is level and solid. Check dimensions of pan to be fitted and make waste accordingly to site requirements (waste in wall or floor).



2. Connect cistern to pan and ensure all fittings provided have been attached and the connections are fine.



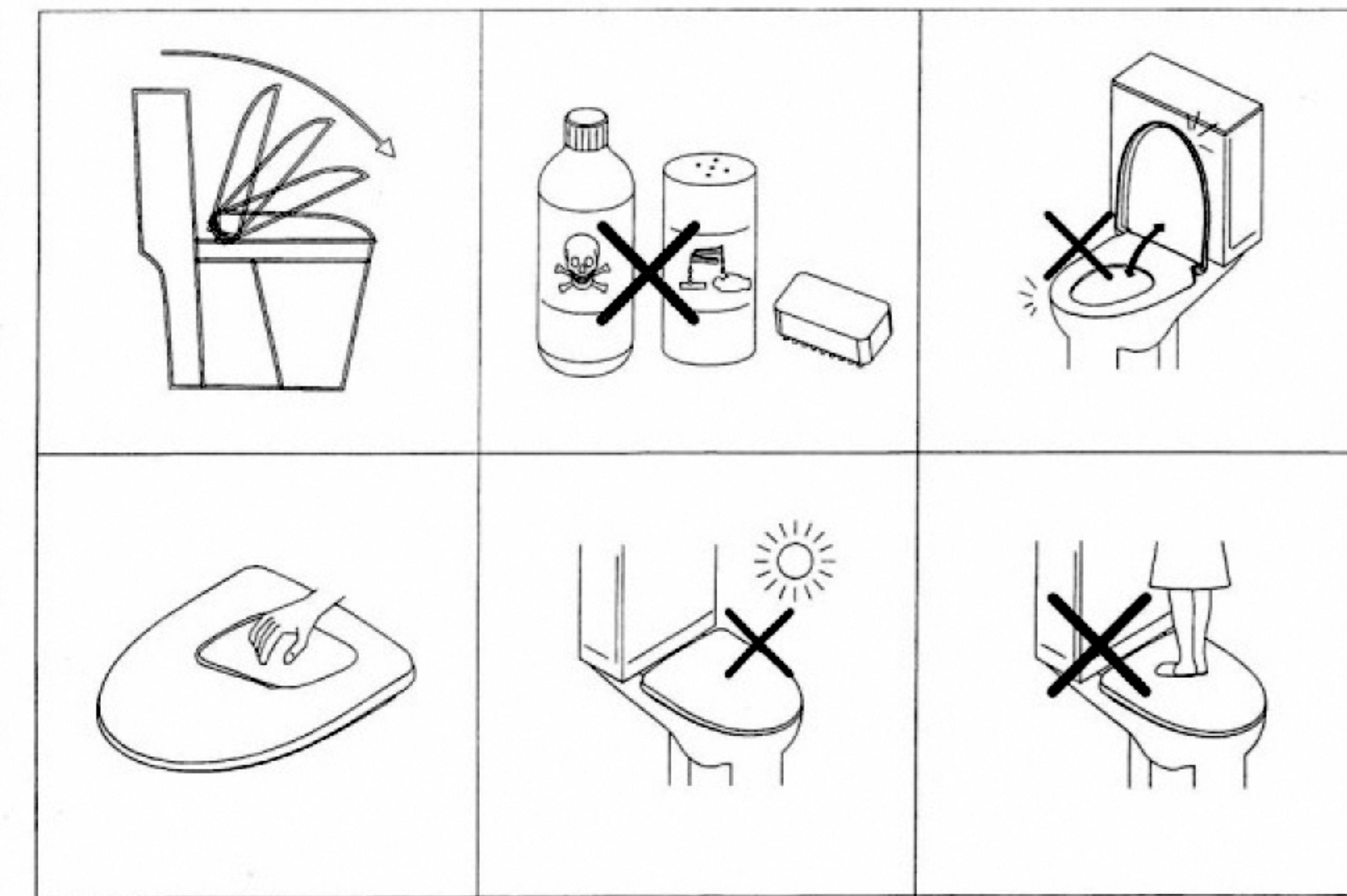
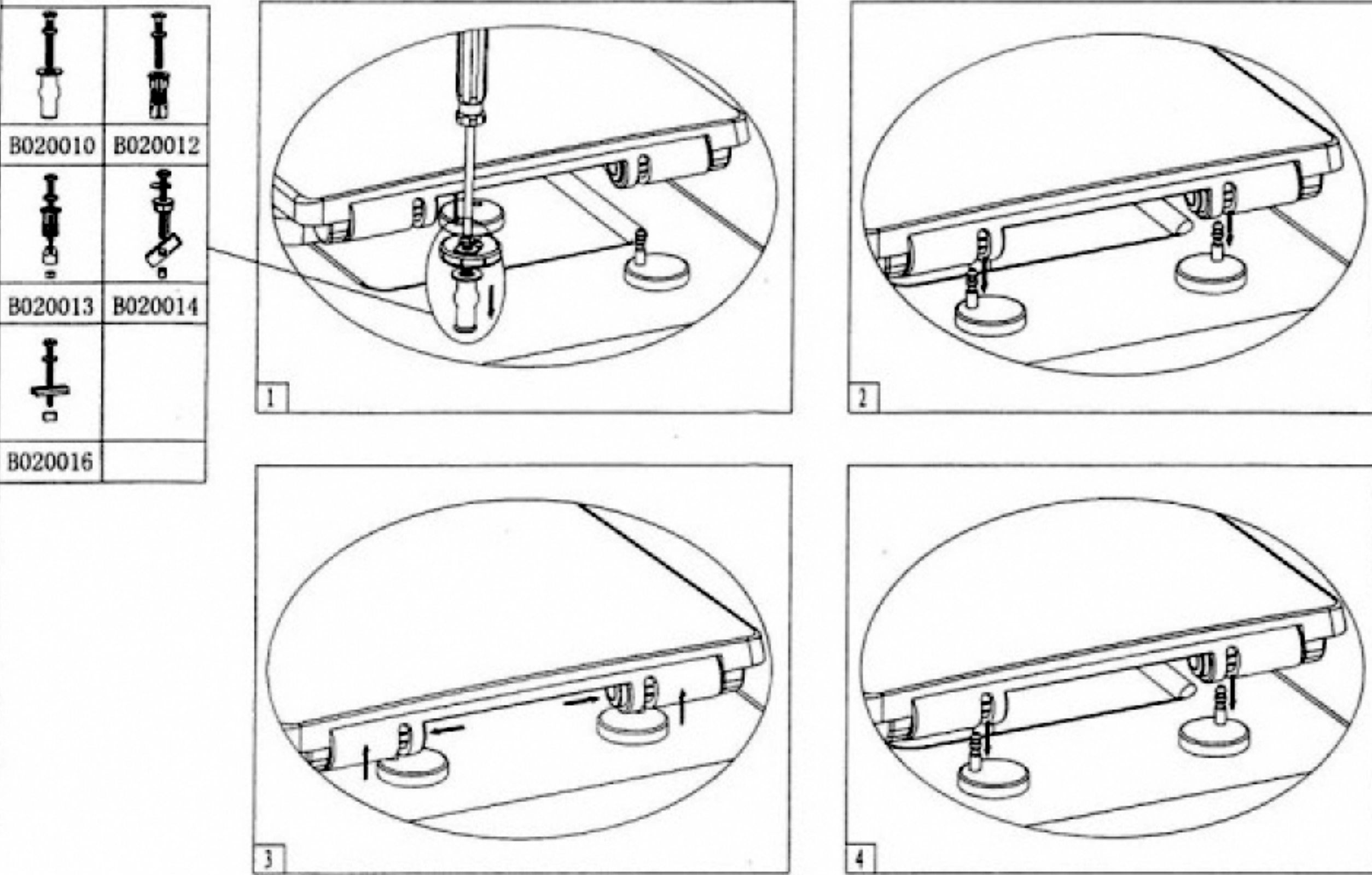
3. If pan has fittings in side of base place pan into position and mark for installation – remove pan and fit pan to floor fixings – see over.



4. Connect pan to soil and water – allow cistern to fill and flush test, checking for any leaks or faults. If no leaks are found push pan into final position, secure floor fixings and silicone footprint as required.

ASBFC00003300A

REV: 1.2



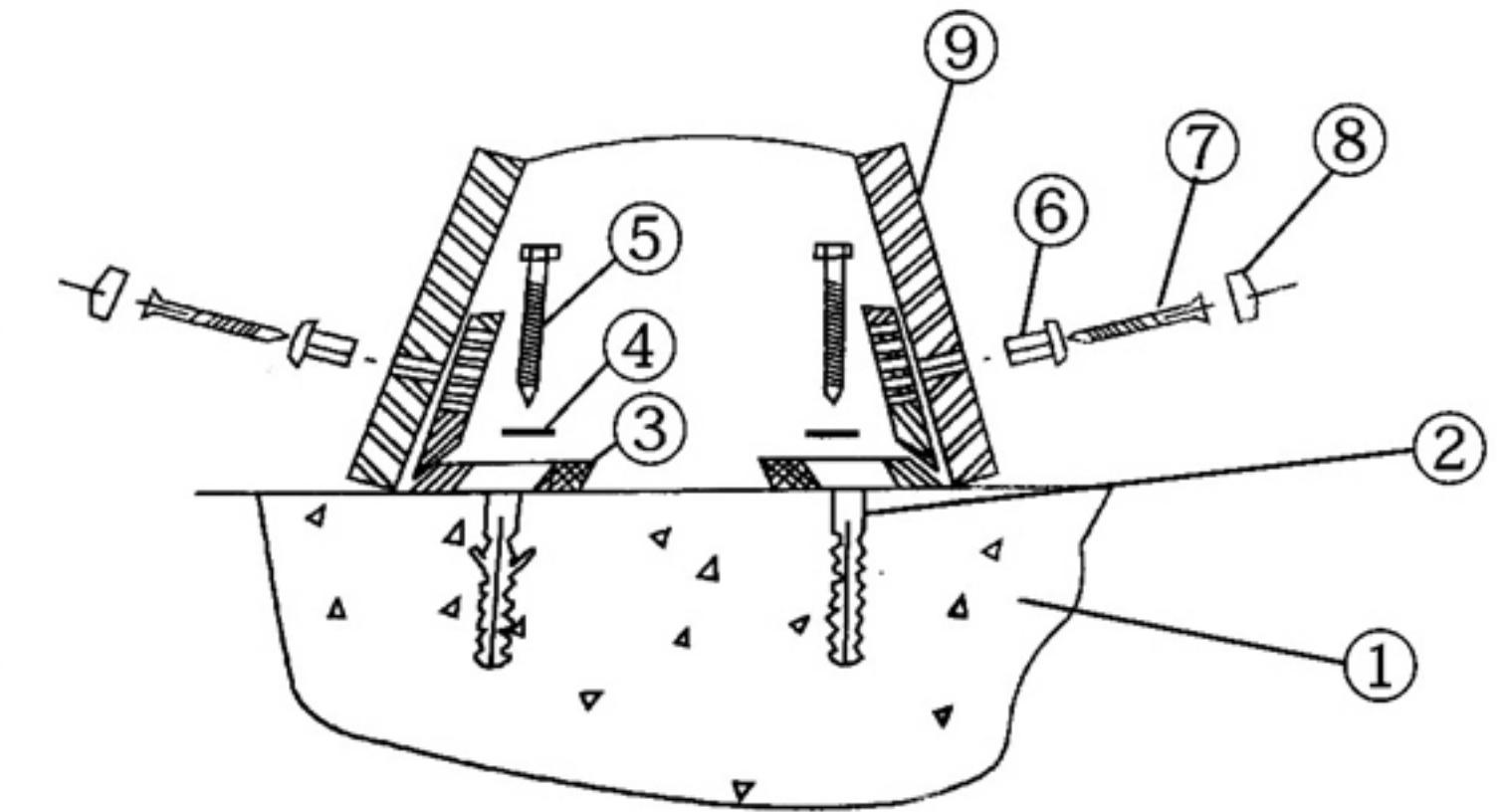
PAN TO FLOOR FIXING KIT INSTALLATION GUIDE

Please read these instructions carefully prior to starting the installation.

Check the component list to parts to ensure you have a complete set.

Retain this instruction for future requirements.

Number	Item	Quantity
1	Flat floor	Not included
2	Rawplug	Two
3	Fixing bracket	Two
4	Metal Washer	Two
5	Floor fixing screw 68mm	Two
6	Screw guide	Two
7	Pan fixing screw 52mm	Two
8	Chrome or White screw cap	Two



1. The toilet and cistern should be installed on a flat clean floor.
2. Once the correct position for the suite has been decided, mark the floor fixing holes, remove suite and drill floor where marked.
3. As shown in figure above insert rawplug (2) into hole in the floor, put the fixing bracket (3) and the metal washer (4) over the hole and tighten using the screw (5).
4. Place the suite over the fixing bracket and line up with the pan anchor holes, insert screw guide (6) into anchor holes, using pan fixing screw (7) insert into screw guide (6) and tighten onto fixing bracket (3). Do not over tighten as this could cause damage to the pan.
5. Place chrome or white screw cap (8) onto pan fixing screw (7), press firmly.
6. After installation, please check the suite is firmly in place.

Check out our full range of Bathroom Suites

Bathroom Suites By Range

Cloakroom Suites

Toilets

Bathroom Sinks / Wash Basins

Bidets

Baths

Wide variety of toilets

Close Coupled Toilets

Wall Hung Toilets

Back To Wall Toilets

Furniture unit toilets

Huge Selection of Baths

Acrylic Baths

Steel Baths

Shower baths

Freestanding baths

Small baths

Corner baths

Whirlpool baths

Don't forget the important bathroom suite extras

Bath panels

Toilet seats

plumbworld
Big brands, small prices.