

# concealed cisterns dual flush, push button

concealed plastic cistern for front or back wall fixing  
complete with delayed action inlet valve



## to specify/order

Please use the product reference shown below.

### concealed cisterns

Concealed dual flush air push button cistern, complete with fittings, and flushbend (excludes push button):

\*\*SSIO 6/4 litre with DAIV (delayed action inlet valve) **CX9664XX**

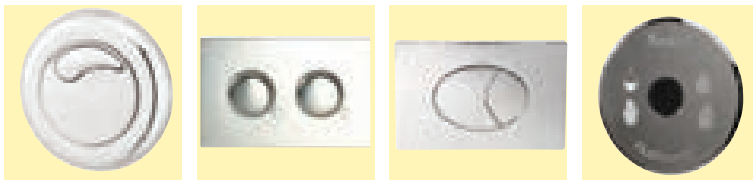


\*SSIO **flushwise** 4/2.6 litre with DAIV (delayed action inlet valve) **CX9642XX**

### air button dual flush

CP small button **CF9002CP**  
CP mini plate 80x124mm **CF9032CP**  
CP plate 150x230mm **CF9022CP**

Flushsense infra red sensor **CF9301CP**  
240v transformer for Flushsense **CF9302XX**



CF9002CP      CF9032CP      CF9022CP      CF9301CP

## applications

For use with WC's (except close coupled).

## material

Plastics

## fixings

Screw to wall bracket (supplied).

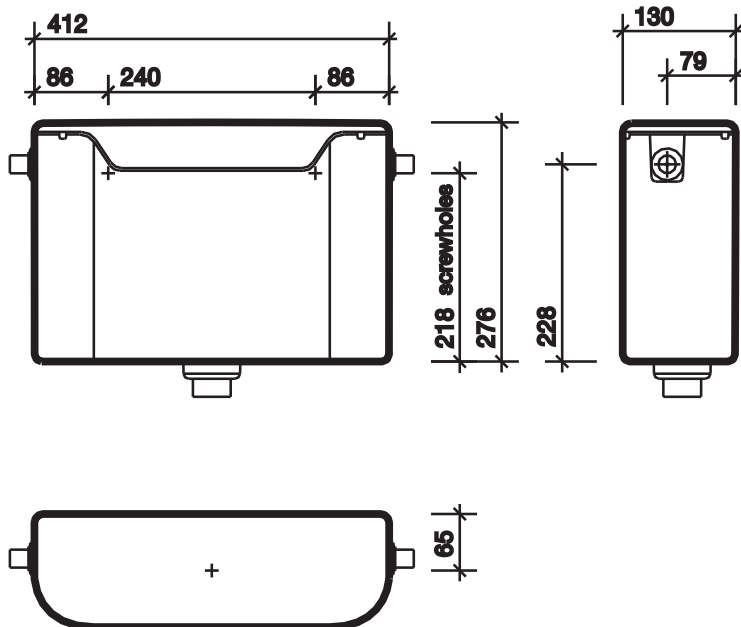
## note

Standard small button to suit panel thickness 3-40mm

Mini plate requires minimum depth of 65mm

Plate requires minimum depth of 75mm

The 4/2.6 litre product is convertible to 6/4 litres (post installation), if variations in drainage systems necessitate increasing the flush volume to ensure efficient drain line carry.



All measurements shown are in millimetres. Drawing sizes are not to scale.



Hotels



Healthcare



Education



Commercial



Residential



Less Able

# Twyford