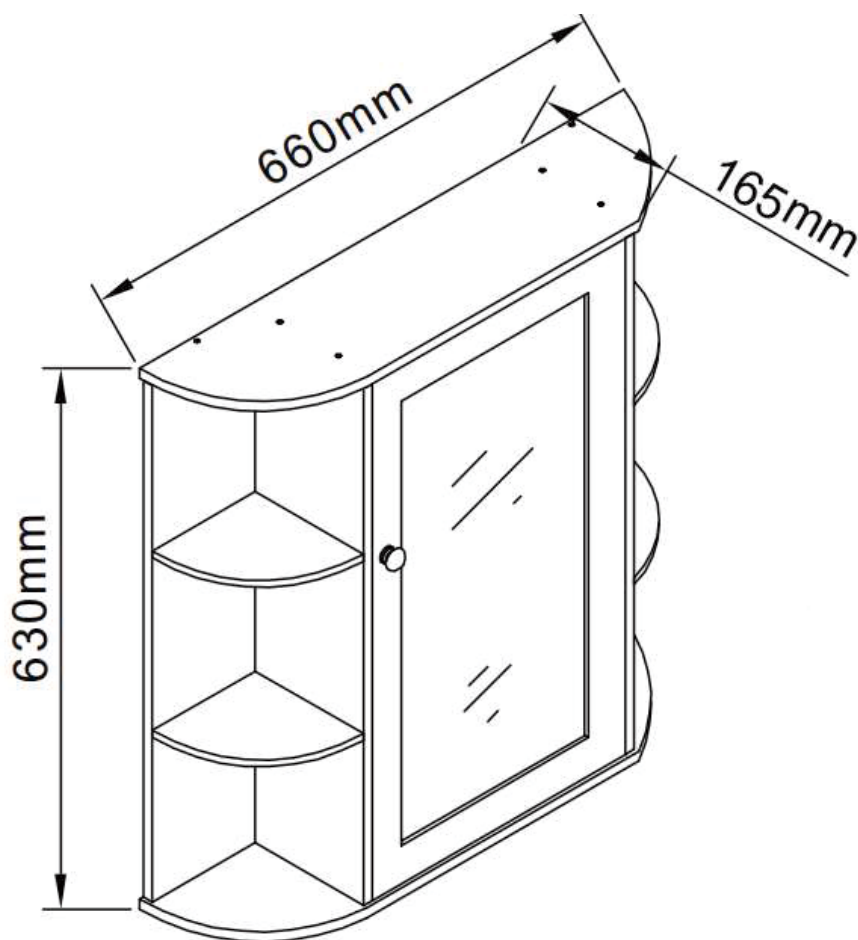


Hi there,

lloyd Est.
1919
pascal
we love home

Meet your new Lloyd Pascal Mirror Cabinet



Customer Helpline

If you need help or have damaged or missing parts, call our customer helpline 0121 776 5720

Assembly instructions- Please keep for future reference

260.96.117M

260.94.117M

lloyd pascal

Est.
1919

we love home

Welcome to the Lloyd Pascal family established in 1919

We would love to see your new product in its new home. **Share your experience** by taking a picture of your new LP product and **post it on social media tagging** #welovehome #Lloydpascal #LPfurniture #LPHome

Connect with Us: Using your mobile camera, scan the QR bar code below of your favourite social media channel and follow us!



Are you loving/satisfied with your new purchase?

Yes: That's perfect. **It would make our day** if you could leave us a **review on our social media channels**. Your feedback will help us develop even better products to love.

No: If for any reason your enjoyment of our product is on Hold then **let the retailer** that you purchased your item from know **or contact us** and we will resolve your issue as quickly as possible.

Safety and Care Advice

IMPORTANT, RETAIN FOR FUTURE REFERENCE: READ CAREFULLY.

- Keep children and animals away from the work area, small parts could choke if swallowed.

- Make sure you have enough space to layout the parts before starting.

- This product has been constructed to be used in the domestic environment only and not for commercial purposes.

- Assemble the item as close to its final position (in the same room) as possible.

- Assemble on a soft level surface to avoid damaging the unit or your floor.



- We do not recommend the use of power drill/drivers for inserting screws as this could damage the unit. Only use

hand screwdrivers.

- Parts of the assembly will be easier with 2 people.

- Dispose of all packaging carefully and responsibly.

Care and maintenance

- Only clean using a damp cloth and mild detergent. Do not use abrasive cleaners.

- From time to time check that there are no loose screws, nuts or bolts. If there are please re-tighten.

- This product should not be discarded with household waste. Take to your local authority waste disposal centre.

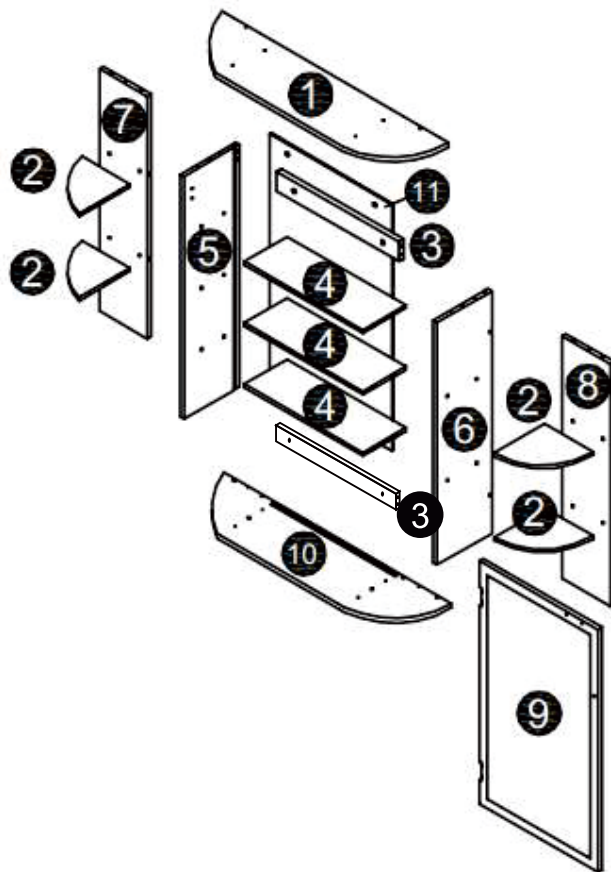
Additional Guidance

- Assemble all parts and bolts loosely during assembly, only once the product is complete should you fully tighten the bolts.

- Regularly check and ensure that all bolts and fittings are tightened properly.

Exploded View

PARTS LIST



Components - Panels

Please check that you have all the components listed below before constructing your item.

Part No	Description	Qty	Size (mm)	Thickness (mm)
1	TOP PANEL	1	664X165	12
2	LEFT& RIGHT SHELF PANEL	4	139X139	12
3	BACK WALL CLEAT	2	356X45	9
4	INTERIOR SHELF PANEL	3	356X127	9
5	LEFT SIDE PANEL	1	603X162	12
6	RIGHT SIDE PANEL	1	603X162	12
7	LEFT BACK PANEL	1	603X140	12
8	RIGHT BACK PANEL	1	603X140	12
9	DOOR	1	601X353	12
10	BOTTOM PANEL	1	664X165	12
11	BACK PANEL	1	362X612	3







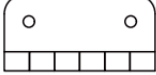







#welovehome

Components - Fixings

Please check that you have all the components listed below before constructing your item.

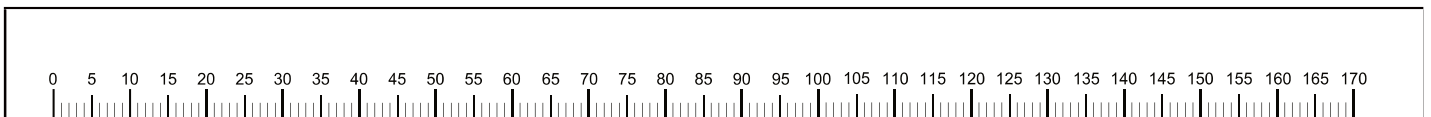
Note: The quantities below are the correct amount to complete the assembly. In some cases more fittings may be supplied than are required.

(a)	 X2	(b)	 X48	(c)	 X12	(d)	 X1
(e)	 X1	(f)	 X1	(g)	 X2	(h)	 X10
(i)	 X1	(j)	 X12	(k)	 X4	(l)	 X4
(m)		(n)		(o)		(p)	
(q)		(r)		(s)		(t)	
(u)		(v)		(w)		(x)	

Tools Required

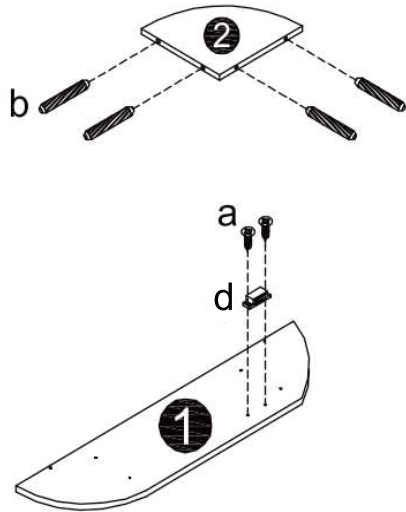


Ruler – Use this to measure your screws (mm)

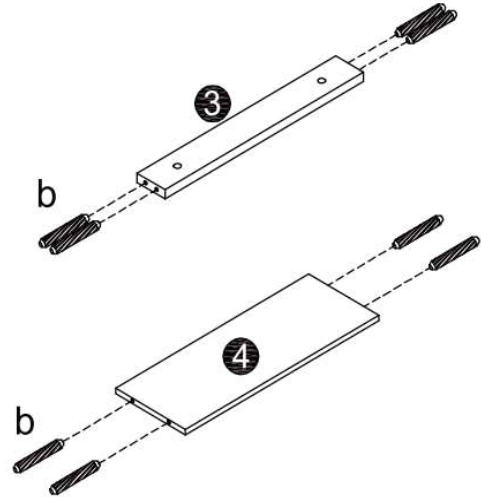


Assembly Instructions

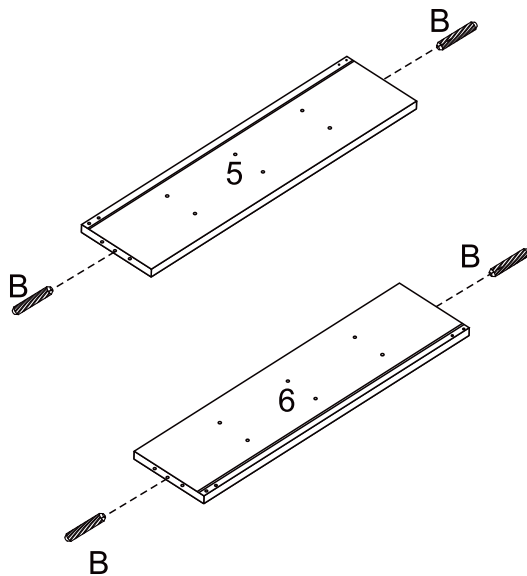
STEP 1



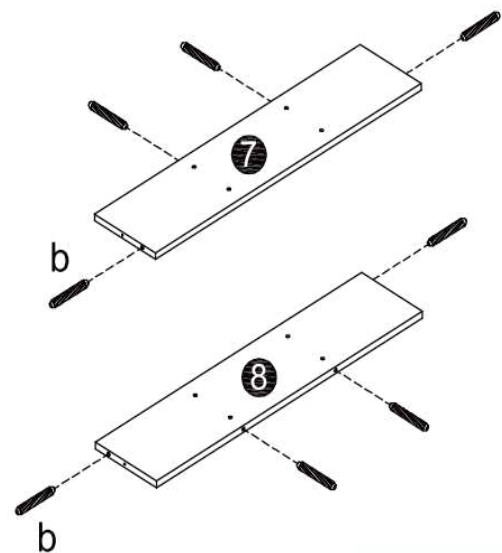
STEP 2



STEP 3



STEP 4

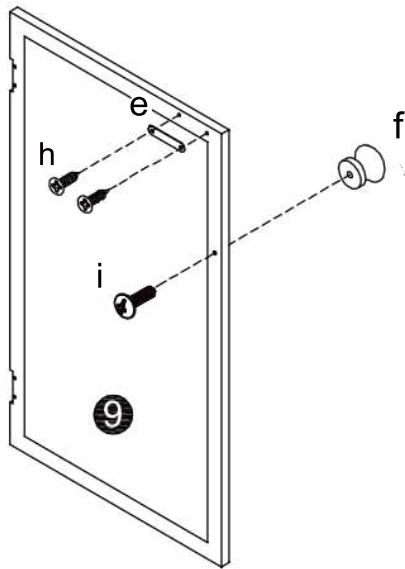


lloyd Est. 1919
pascal
we love home

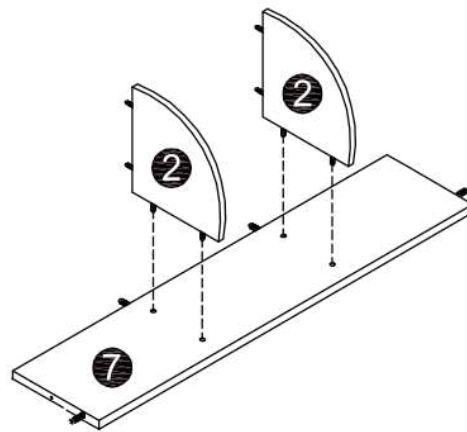
#welovehome

Assembly Instructions

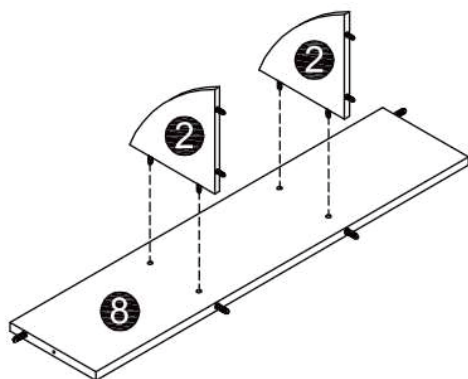
STEP 5



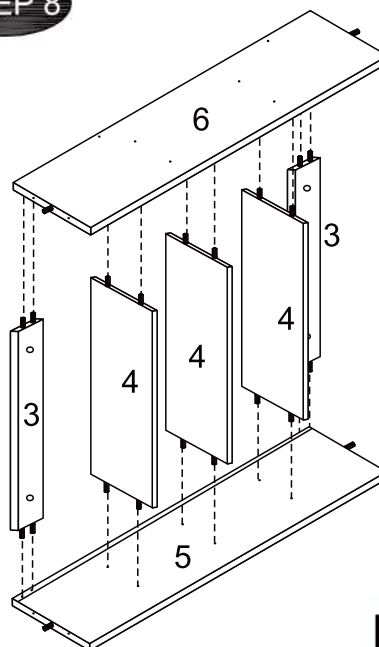
STEP 6



STEP 7

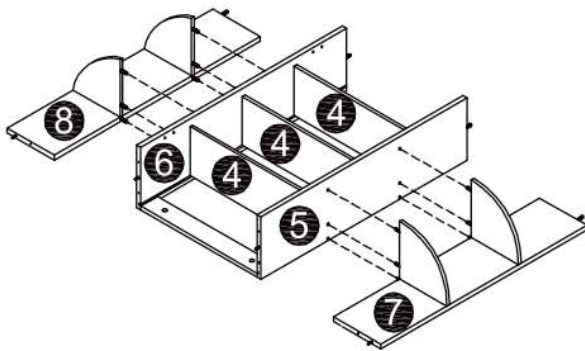


STEP 8

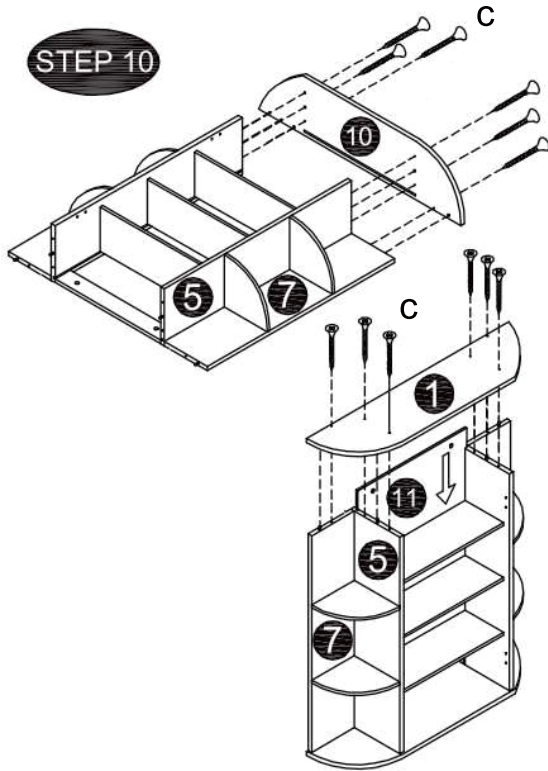


Assembly Instructions

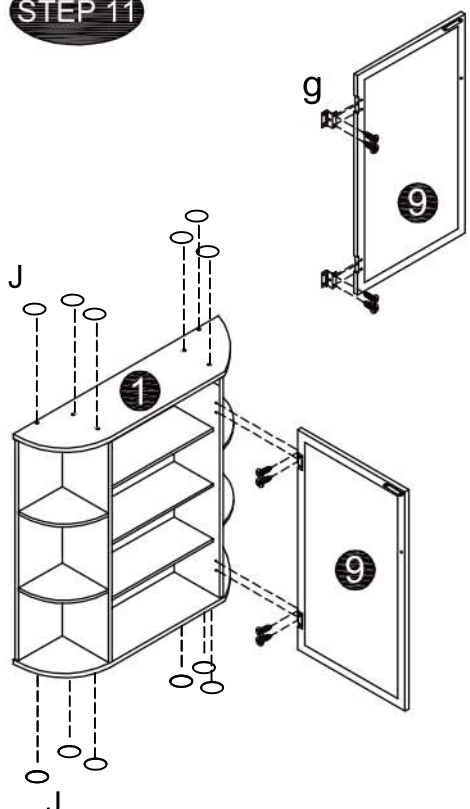
STEP 9



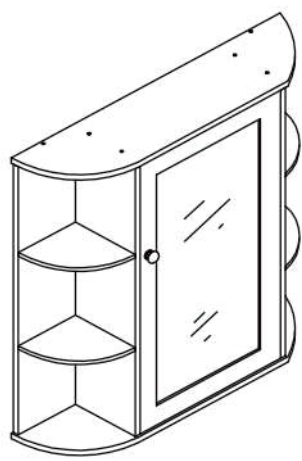
STEP 10



STEP 11



STEP 12



#welovehome

lloyd Est. 1919
pascal
we love home

Assembly Instructions

1. Move the unit into desired position.



Warning:

The unit is heavy.
Lift with care.
and with the aid of someone else

2. Mark the wall with a suitable scribe the position of the fixing holes.

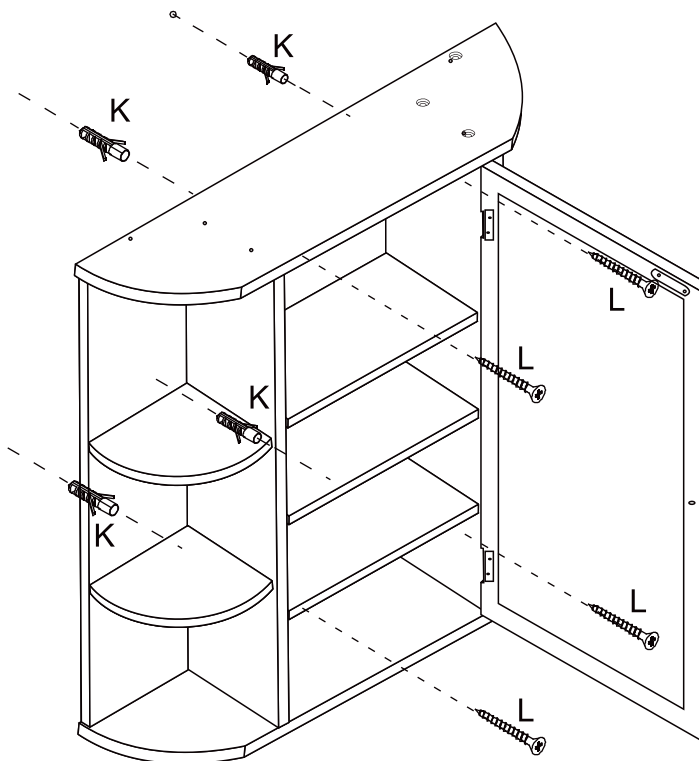


Warning:

Before drilling, check wall for hidden pipes and cables.

3. Drill holes and insert 4 x wall plug **K**

4. Connect to the wall using 4 x screw **L** as shown



Assembly Complete

A Guide to Wall Mounting & Fixings

Important note:

If plastic wall plugs (rawl plugs) are supplied with your product, e.g.:



- these are only suitable for use in masonry walls.

If you are in any doubt about the correct wall plugs for your wall, seek professional advice.


Failure of the product due to using the incorrect fixings is the responsibility of the installer.



Important: when drilling into walls always check that there are no hidden wires or pipes etc.

Make sure that the screws and wall plugs being used are suitable for **supporting your unit**. **Consult a qualified tradesperson if you are unsure.**

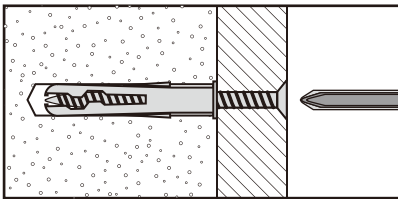
Hints:

- 1: General rule:  always use a larger screw and wall plug if you are not sure.
- 2: Ensure you use the recommended drill bit to match the wall plug and hole size.
- 3: Ensure you drill the hole horizontally; do not force the drill or enlarge the hole.
- 4: Take extra care when drilling high walls, ceilings and ceramic tiles. Ensure wall plugs are inserted beyond the thickness of the ceramic tiles to avoid the tiles splitting or cracking.
- 5: Ensure wall plugs are well fitted and are a tight fit in the drilled hole.

Types of walls

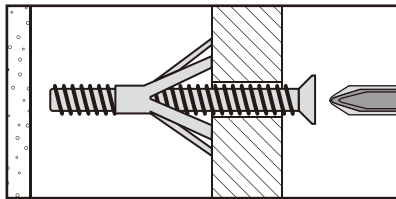
You can use one of the following types of wall plug if your walls are made of brick, breeze block, concrete, stone or wood.

No.1 "General Purpose" wall plug



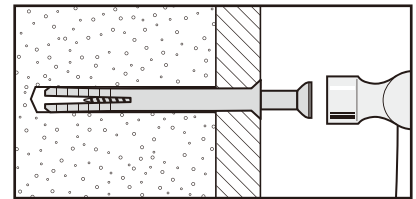
Generally aerated blocks should not be used to support heavy loads, use a specialist fitting in this case. For light loads, general purpose wall plugs can be used.

No.3 "Cavity Fixing" wall plug



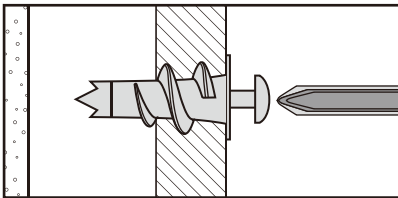
For use with plasterboard partitions or hollow wooden doors.

No.5 "Hammer Fixing" wall plug



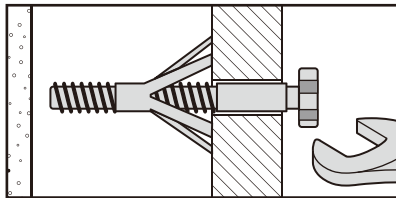
For use with walls stuck with plasterboard. The hammer fixing allows it to be fixed to the wall rather than the plasterboard. Always check the fixing is secure to the retaining wall.

No.2 "Plasterboard" wall plug



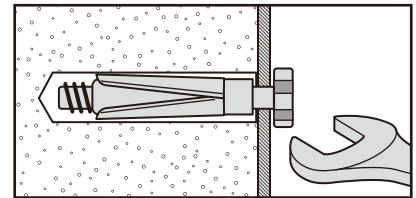
For use when attaching light loads onto plasterboard partitions.

No.4 "Cavity Fixing - Heavy Duty" wall plug



For use when fitting or supporting heavy loads such as shelving, wall cabinets and coat racks.

No.6 "Shield Anchor" wall plug - heavy loads



For use with heavier loads such as TV and HiFi speakers and satellite dishes etc.



Care & Maintenance

Safety: always check the fitting and location to ensure your safety in and around the home.

Fitting: from time to time check the fitting to ensure the wall plugs or screws do not become loose.