



Brushed Steel



Brass



Black

## Savena ecolite Brass

### Features:

**Heat Type:** Fan Convection

**Max Heat Output:** 2kW

**Nett Efficiency Rating:** 100%

**Control Type:** Top Side Switch Control

**Thermostat:** Yes

**LED Lights:** Yes

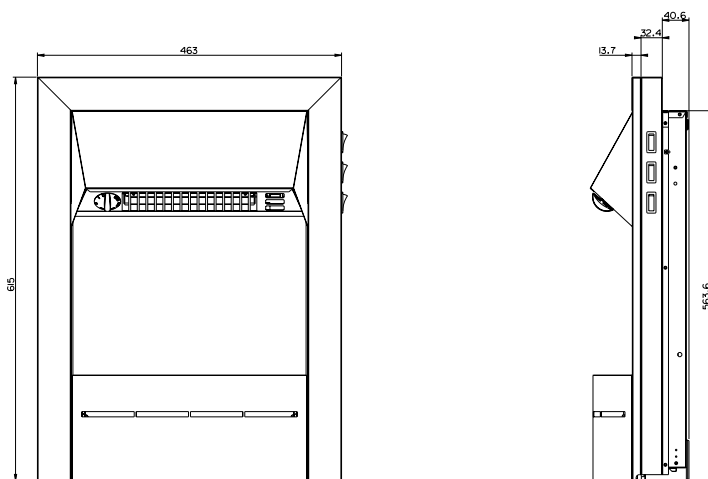
**One piece Coalbed:** Yes

**Kettle Connection:** Yes

**Dimensions:** (HxWxD) 615 x 463 x 87mm

**Weight:** 10.2kg

**Chimney Required:** No chimney or flue required



Product Code	Bar Code	Model	Colour Option
048257	5011139048257	Savena Ecolite	Black
048240	5011139048240	Savena Ecolite	Brass
047519	5011139047519	Savena Ecolite	Brushed Steel
048264	5011139048264	75mm Spacer Kit	Black

